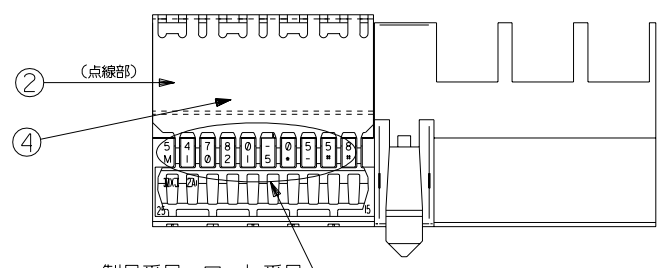
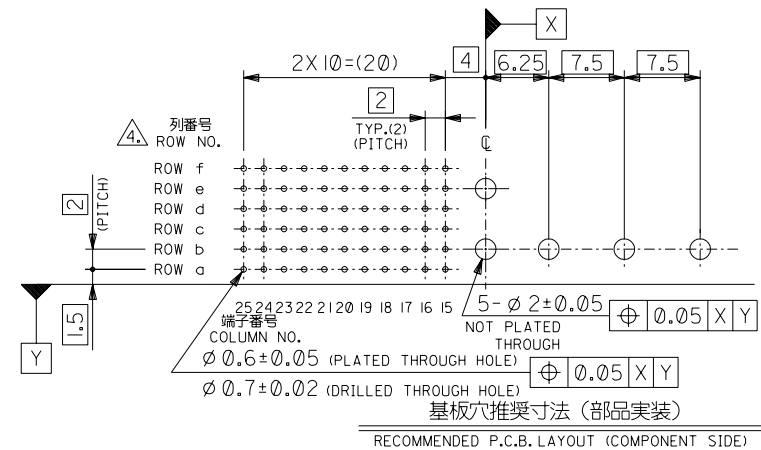
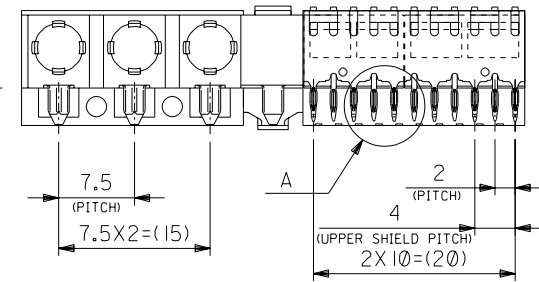
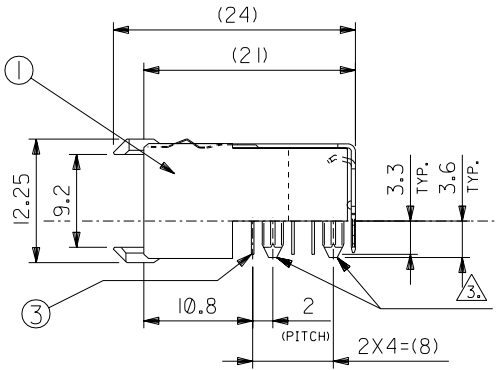
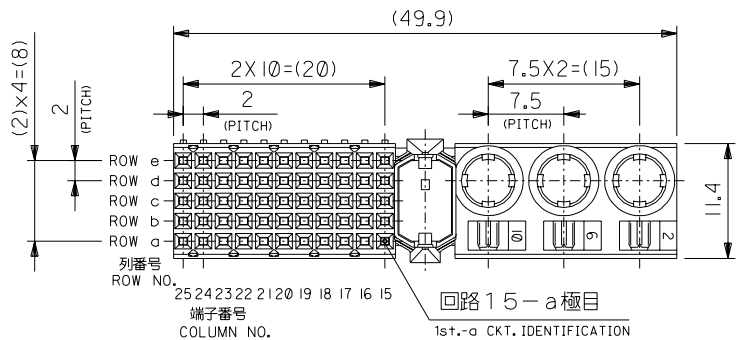


DWG. NO. SD-54780-006



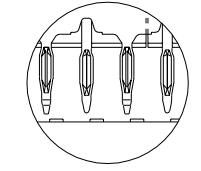
製品番号・ロット番号
MATERIAL NO., LOT NO.



注記
NOTES

- ④ ターミナルめっき仕様
TERMINAL PLATING
金めっき: 0.8 μm MIN. (接点部)
GOLD: 0.8 μm MIN. (CONTACT AREA)
半田めっき: 0.5 μm MIN. (プレスフィット部)
TIN-LEAD: 0.5 μm MIN. (PRESS-FIT AREA)
ニッケルめっき: 1.3 μm MIN. (下地めっき)
NICKEL: 1.3 μm MIN. (UNDER PLATING)
- ④ シールドめっき仕様
SHIELD PLATING
金めっき (接点部)
GOLD (CONTACT AREA)
半田めっき (プレスフィット部)
TIN-LEAD (PRESS-FIT AREA)
ニッケルめっき (下地めっき)
NICKEL (UNDER PLATING)

- ④ 基板保持用モールドペグ
RETENTION PEG (MOLD)
- ④ f 列はシールドフレーム用基板穴。
THROUGH HOLE OF ROW f FOR SHIELD.



DETAIL A
(SCALE: 4-1)

54780-0553	55
MATERIAL NO.	極数 PIN
DIMENSIONS:	SHT REV
<input type="checkbox"/> mm <input type="checkbox"/> INCH	<input checked="" type="checkbox"/> mm ONLY
	REVISE ON CAD ONLY

DO NOT SCALE DRAWING

EC NO. DRWN: CHK: APPR:	EC NO. DRWN: CHK: APPR:	EC NO. J2003-0788 DRWN: S.ANDO CHK: A.NODA APPR: A.NODA	REVISED EC NO. JD2001-1170 DRWN: S.ANDO CHK: A.NODA APPR: H.IKESUGI	RELEASED EC NO. JD2000-1240 DRWN: M.OKANO CHK: A.NODA APPR: H.IKESUGI	MATERIAL 材料	FINISH 仕上げ	WIRE RANGE 適用線径範囲	INS. RANGE 被覆外径
		C	B	A				

GENERAL TOLERANCES: (UNLESS SPECIFIED) 一般公差		SCALE 2-1	DESIGN UNITS <input checked="" type="checkbox"/> mm <input type="checkbox"/> INCH	THIRD ANGLE PROJECTION
10 UNDER 未満	±0.2	DRAWN BY & DATE M.OKANO '00/5/22		TITLE: "MZP" B/B CONN. REC. RIGHT ANGLE ASS'Y TYPE M WITH SHIELD
10 OVER 30 UNDER 未満	±0.25	CHECKED BY & DATE A.Noda '00/5/22		
30 OVER 以上	±0.3	APPROVED BY & DATE A.Noda '00/5/22		
ANGLE 角度	±3°	CAD FILENAME SD-54780-006.S0	MATERIAL NO. SEE TABLE	DRAWING NO. SD-54780-006

THIS DRAWING CONTAINS INFORMATION THAT IS PROPRIETARY TO MOLEX INCORPORATED AND SHOULD NOT BE USED WITHOUT WRITTEN PERMISSION.				SIZE B
MOLEX INCORPORATED				SHEET NO. 1 OF 1

SD-54780-006.S0

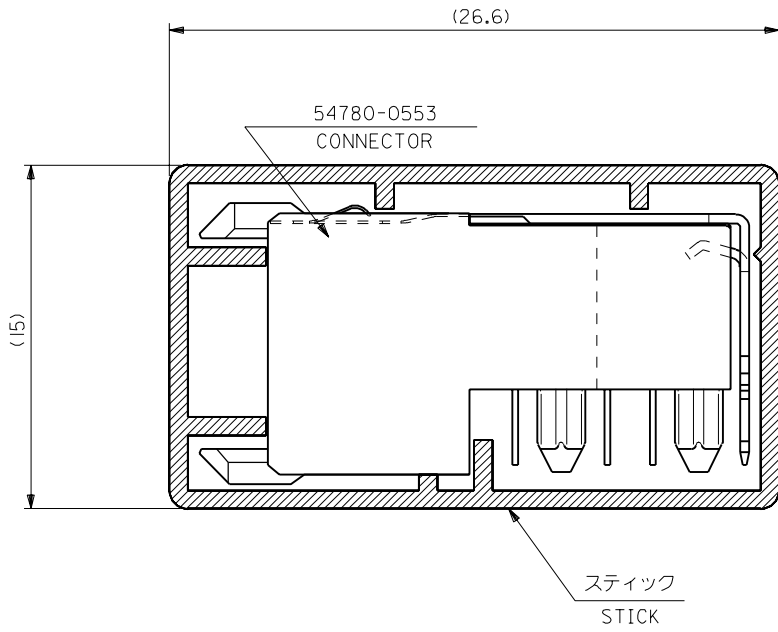
EC NO. DRWN: CHK: APPR:	EC NO. DRWN: CHK: APPR:	EC NO. DRWN: CHK: APPR:	EC NO. DRWN: CHK: APPR:	EC NO. DRWN: CHK: APPR:	RELEASED EC NO. JD2000-1240 DRWN: M.OKANO '00/05/22 CHK: A.NODA '00/05/22 APPR: H.IKESUGI '00/05/22
----------------------------------	----------------------------------	----------------------------------	----------------------------------	----------------------------------	---

REV	DESCRIPTION	MATERIAL 材料
0		スティック : ポリ塩化ビニル STICK: PVC
	FINISH 仕上げ	#
	WIRE RANGE 適用電線種類	#
	INS. RANGE 被覆外径	#

GENERAL TOLERANCES: (UNLESS SPECIFIED) 一般公差	
10 UNDER 未満	+0.2
10 OVER 以上	+0.25
30 UNDER 未満	+0.25
30 OVER 以上	+0.3
ANGLE 角度	±3°

SCALE 5-1	DESIGN UNITS <input checked="" type="checkbox"/> mm <input type="checkbox"/> INCH
DRAWN BY & DATE M.OKANO '00/05/22	
CHECKED BY & DATE A.NODA '00/05/22	
APPROVED BY & DATE H.IKESUGI '00/05/22	
CAD FILENAME SD-54780-008.S01	

TITLE: "MZP" B/B CONN. REC. RIGHT ANGLE TYPE M STICK PACKAGING FOR 54780-0553	
MOLEX INCORPORATED	
MATERIAL NO. SEE CHART	DRAWING NO. SD-54780-008
SHEET NO. 1 OF 1	SIZE B



注記
NOTES

- スティック両端はテープ止め。
BOTH ENDS WITH TAPES.
- 全長 : 560±2
TOTAL LENGTH: 600±2
- 肉厚 : 0.8±0.2
THICKNESS: 0.8±0.2

11	54780-0558	55
梱包数 QUANTITY	MATERIAL NO.	極数 PIN

DIMENSIONS:		SHT	REV
<input type="checkbox"/> mm <input type="checkbox"/> INCH	<input checked="" type="checkbox"/> mm ONLY		REVISE ON CAD ONLY