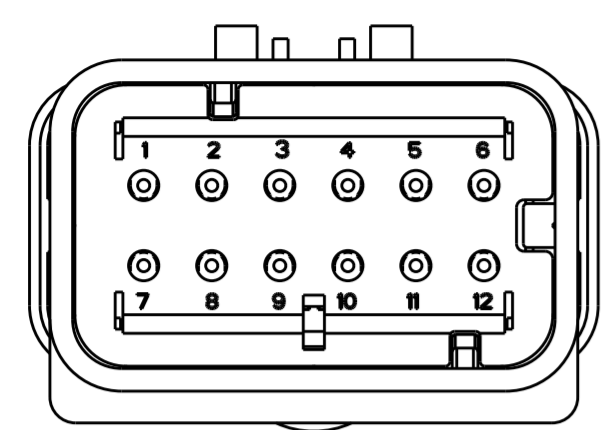
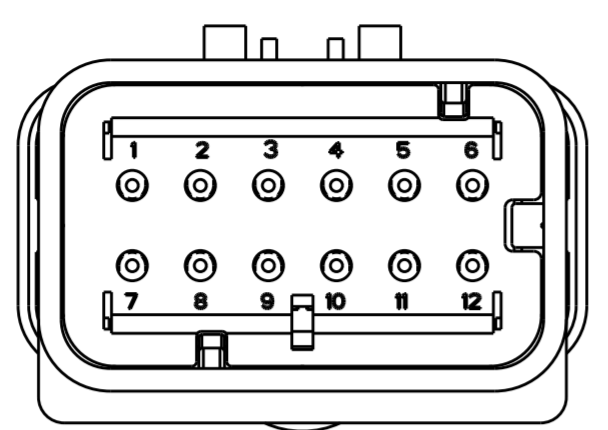


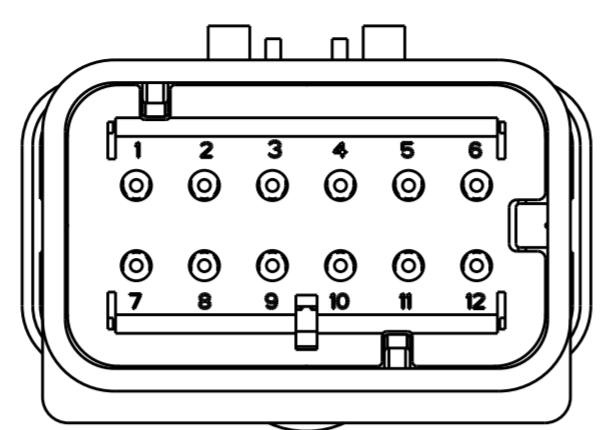
REVISIONS					
P	LTR	DESCRIPTION	DATE	DWN	APVD
	D1	REVISED PER ECR-10-019377	30SEP2010	HMR	T.M
	E	REVISED PER ECR-14-000206	26DEC2013	DR	RB



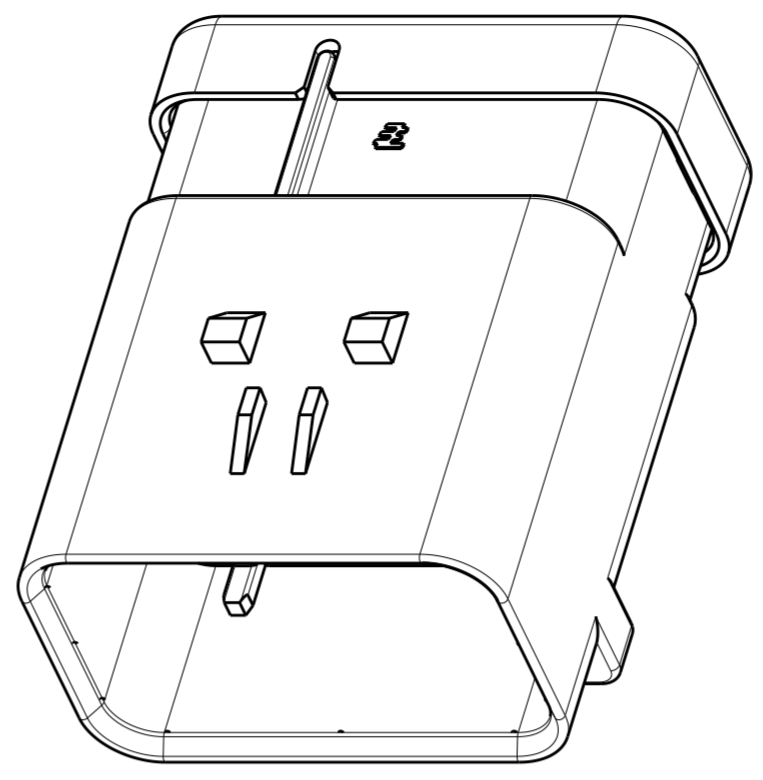
1717934-2
SCALE 2:1



1717934-3
SCALE 2:1

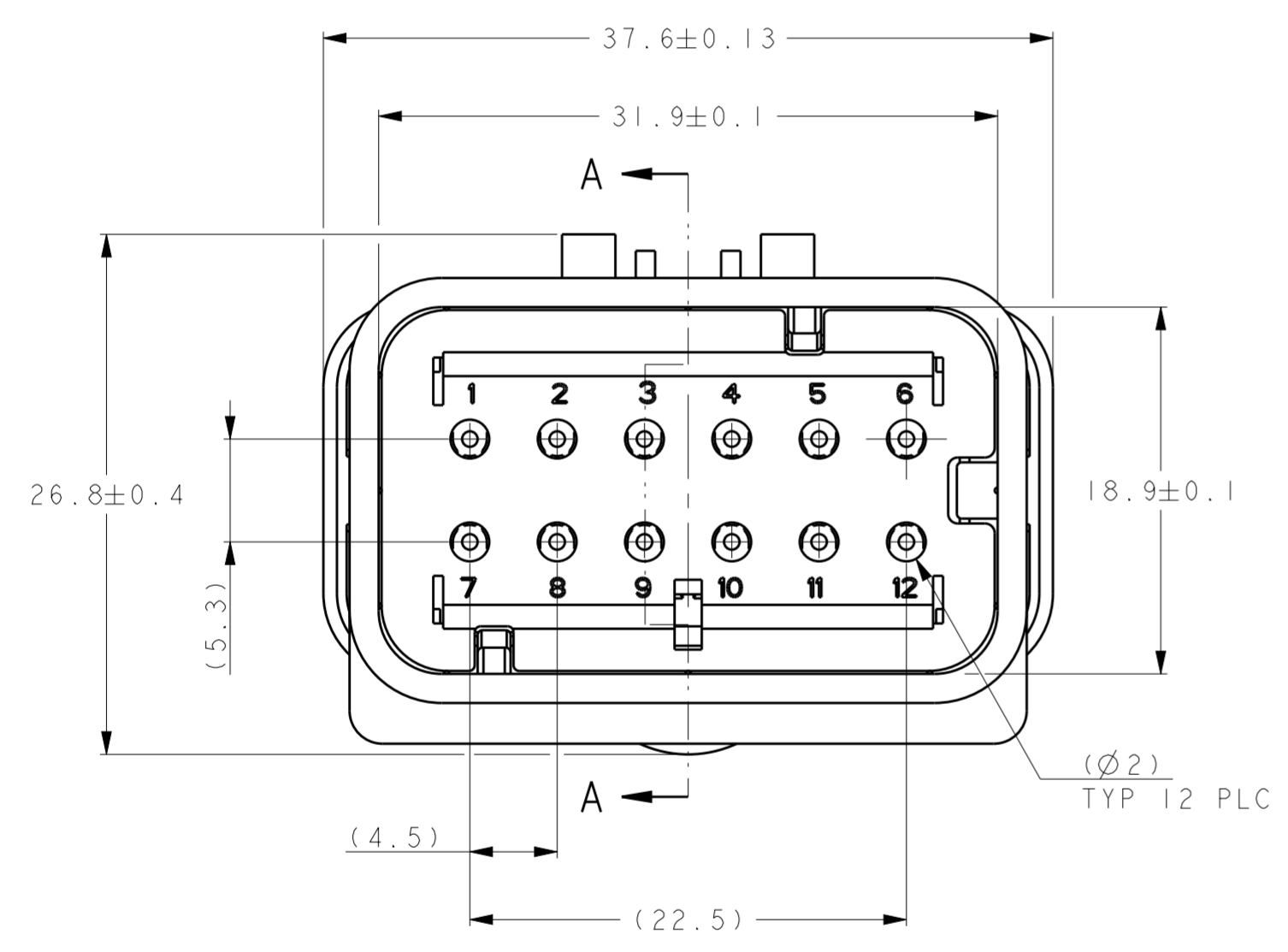


1717934-4
SCALE 2:1

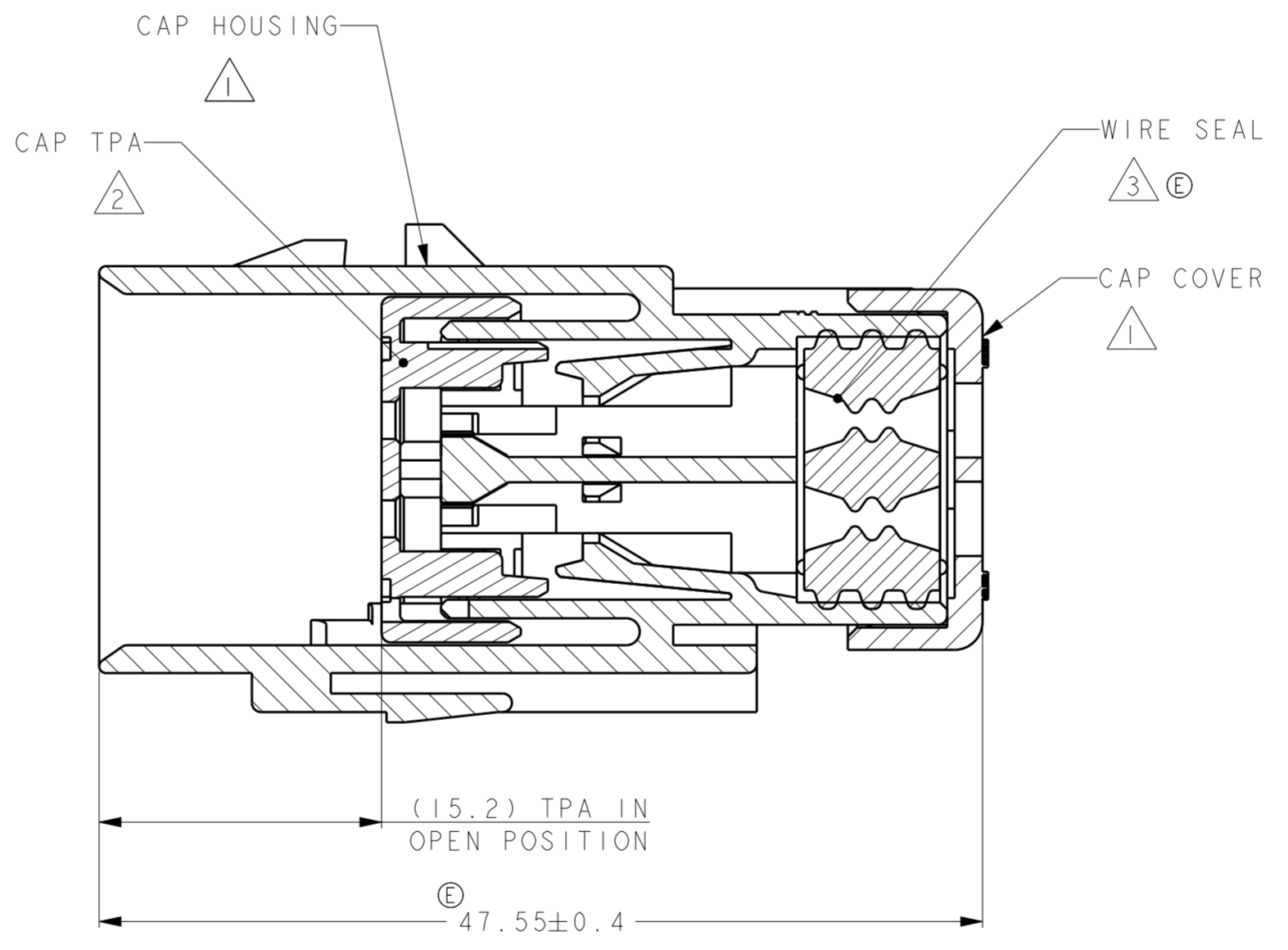


SCALE 2:1

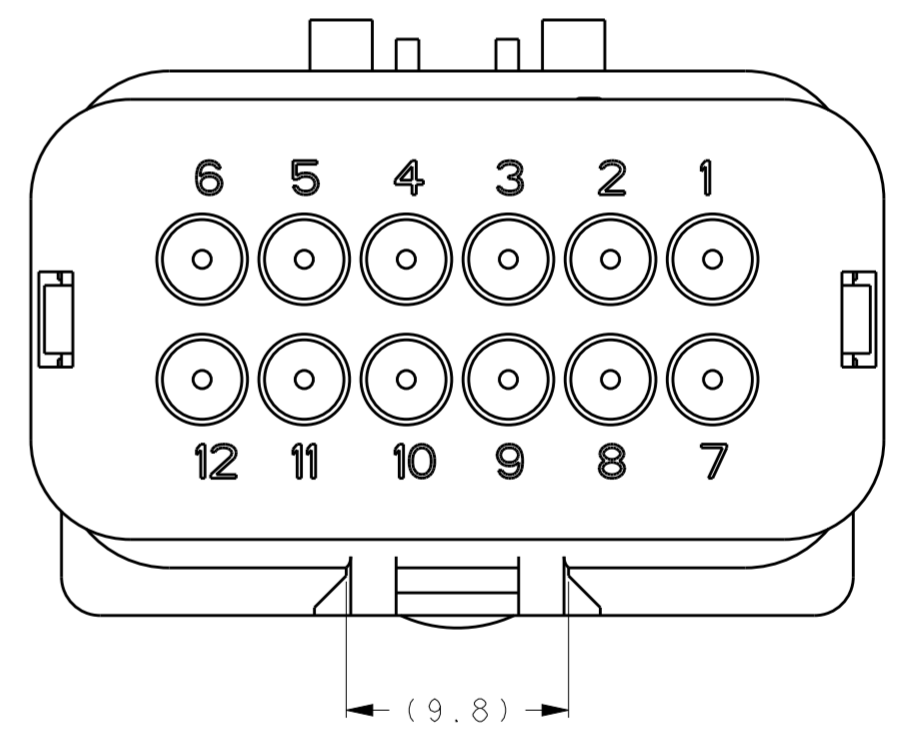
- ① MATERIAL: 15% GLASS FILLED THERMOPLASTIC
COLOR: BLACK
- ② MATERIAL: 15% GLASS FILLED THERMOPLASTIC
COLOR: (SEE TABLE)
- ③ MATERIAL: SILICONE
COLOR: RUST
- 4. WIRE INSULATION RANGE; Ø1.3-Ø2.3



1717934-1 SHOWN



A - A



GREEN	1717934-4
YELLOW	1717934-3
GRAY	1717934-2
RED	1717934-1
TPA COLOR	PART NUMBER

THIS DRAWING IS A CONTROLLED DOCUMENT.		DWN Y. KATO 15JAN2004	TE Connectivity													
DIMENSIONS: mm		CHK S. MANABE 15JAN2004														
TOLERANCES UNLESS OTHERWISE SPECIFIED:		APVD S. MANABE 15JAN2004														
<table border="1"> <tr><td>0 PLC</td><td>±</td></tr> <tr><td>1 PLC</td><td>±</td></tr> <tr><td>2 PLC</td><td>±</td></tr> <tr><td>3 PLC</td><td>±</td></tr> <tr><td>4 PLC</td><td>±</td></tr> <tr><td>ANGLES</td><td>±</td></tr> <tr><td>FINISH</td><td>±</td></tr> </table>		0 PLC		±	1 PLC	±	2 PLC	±	3 PLC	±	4 PLC	±	ANGLES	±	FINISH	±
0 PLC	±															
1 PLC	±															
2 PLC	±															
3 PLC	±															
4 PLC	±															
ANGLES	±															
FINISH	±															
MATERIAL		NAME CAP ASSY, 12 POS. BRACKET REVERSE TYPE, SMALL WIRE SIZE AMPSEAL 16	RESTRICTED TO													
		SIZE A20779	DRAWING NO C-1717934													
		SCALE 3:1	SHEET 1 OF 1													
			REV E													