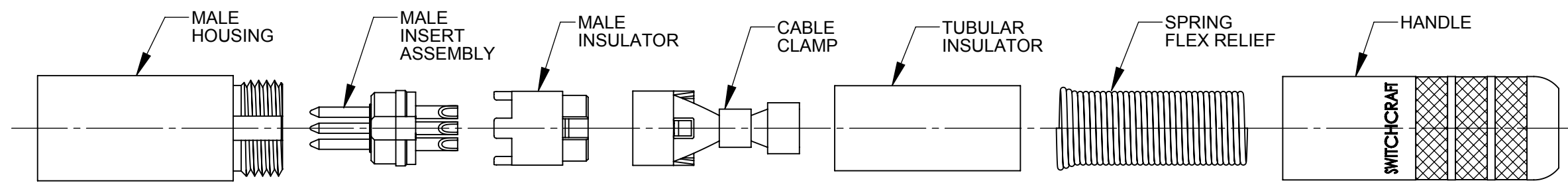


AS VIEWED FROM FRONT MATING VIEW



TA TINI QG CORD PLUG

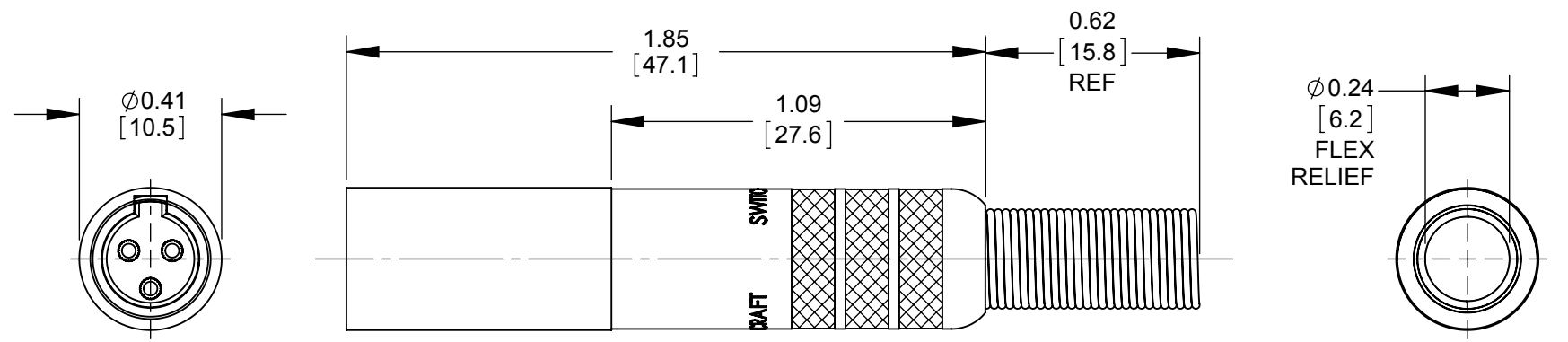
M MALE

SH SHIELDED HANDLE

F SPRING FLEX RELIEF

NUMBER OF CONTACTS
3 - 3 CONTACTS
4 - 4 CONTACTS
5 - 5 CONTACTS
6 - 6 CONTACTS
7 - 7 CONTACTS
8 - 8 CONTACTS

CONTACT PLATING
BLANK - SILVER (STANDARD)
AU - GOLD



TA3MSHF SHOWN

CUSTOMER DRAWING

NOTES:

1. MATERIALS:
 HOUSING - COPPER ALLOY, NICKEL PLATED
 CONTACTS - COPPER ALLOY, SILVER OR GOLD PLATED
 INSERT - THERMOPLASTIC, DARK BROWN
 INSULATOR - THERMOPLASTIC, DARK BROWN
 CABLE CLAMP/GROUND TERMINAL - STEEL, ELECTRO-TIN PLATED
 TUBULAR INSULATOR - FISH PAPER
 HANDLE - COPPER ALLOY, NICKEL PLATED
 SPRING FLEX RELIEF - STAINLESS STEEL

2. THIS PRODUCT IS RoHS COMPLIANT.

REV	ECO NUMBER	DATE	BY	APVD
A	27648	01/28/16	PC	TJK
REVISIONS				

UNLESS OTHERWISE SPECIFIED

1. ALL DIMENSIONS IN INCHES [mm]
 - TWO PLACE DECIMALS ±0.02 [0.5]
 - THREE PLACE DECIMALS ±0.005 [0.13]

DO NOT SCALE DRAWING

THIS DRAWING DESCRIBES A DESIGN CONSIDERED PROPRIETARY IN NATURE, DEVELOPED AND MANUFACTURED BY SWITCHCRAFT INC. AND IS RELEASED ON A CONFIDENTIAL BASIS FOR IDENTIFICATION PURPOSES ONLY.									
SIZE		WIDTH		MULT		LBS/M		TEMPER	
FINISH SPEC No.						MATERIAL SPEC No.			
FIRST USED ON				SCALE 2:1		Switchcraft [®]			
DATE DRAWN	BY	CHKD	APVD						
07/15/09	BS	TJK	TJK	02/04/16	02/04/16	SHEET 1 OF 1			
NAME MALE TINI QG SHIELDED W/ FLEX RELIEF, RoHS						PART No. TA_MS HF SERIES		REV A	