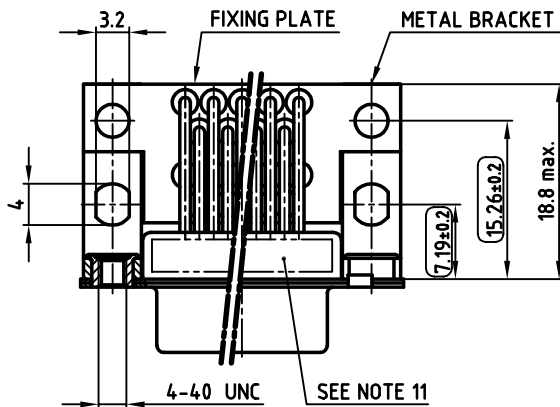
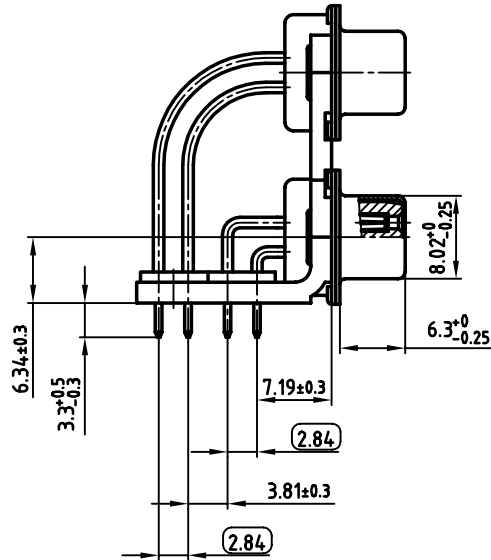
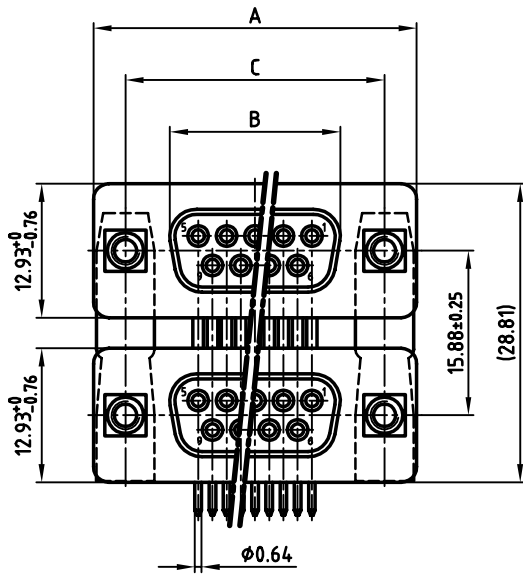


used for: D-SUB FILTER DUAL PORT



NOTES:

1. METALSHELLS: STEEL; min. 320 μ " TIN
2. INSULATORS: PBT GF UL 94 V-0, BLACK
3. CONTACTS: COPPER ALLOY
PLATING: 8 μ " HARD GOLD OVER min. 50 μ " NICKEL
4. METAL BRACKET: STEEL; min. 320 μ " TIN over 80 μ " NICKEL
5. THREADED INSERT: COPPER ALLOY; min. 200 μ " TIN over 80 μ " NICKEL
6. FIXING-PLATE: PBT GF UL 94 V-0, BLACK
7. P.C.B. HOLE DRILLINGS ON SHEET 2 + 3
8. CAPACITANCE: 1300pF \pm 20%
9. DIELECTRIC WITHSTANDING VOLTAGE: 424 VDC
10. MAXIMUM TORQUE VALUE FOR THREAD: 6" LBS
11. CONNECTOR IS PART MARKED: PART-NO. CONEC ABC
12. = CHECK DIMENSION

| POS. | A -0.76 | B -0.25 | C | Part-NO. |
|------|---------|---------|---|-------------------|
| 2x 9 | 31.19 | 16.46 | 25.00 ^{+0.12} _{-0.13} | 242A14060X |
| 2x15 | 39.52 | 24.79 | 33.30 ^{+0.15} _{-0.1} | 242A14070X |
| 2x25 | 53.42 | 38.50 | 47.04 \pm 0.13 | 242A14080X |
| 2x37 | 69.70 | 54.96 | 63.50 \pm 0.13 | 242A14090X |

APPROVAL # FREIGABE # DEBLOCAGE # AUTORIZACION # APPROVAL

CUSTOMER APPROVAL DATE:

NAME: TITLE:

COMPANY NAME:

APPROVAL # FREIGABE # DEBLOCAGE # AUTORIZACION # APPROVAL

THIS DRAWING MAY NOT BE COPIED OR REPRODUCED IN ANY WAY, AND MAY NOT BE PASSED ON TO A THIRD PARTY, WITHOUT WRITTEN PERMISSION. OWNERSHIP AND COPYRIGHT OF CONEC GmbH DO NOT ALTER CAD DRAWING BY HAND

| rev. | description | date | name |
|------|-------------|------|------|
| | | | |
| | | | |
| | | | |
| | | | |
| | | | |

tolerance ϕ dim. in mm

| | | |
|-------|-----------|--------------|
| 2004 | date | name |
| drawn | 04.03. | Lehnenkühler |
| appd. | 04.03. | Mickenbecker |
| norm | DIN 41652 | |
| d-old | | |

CONEC

scale: 2:1

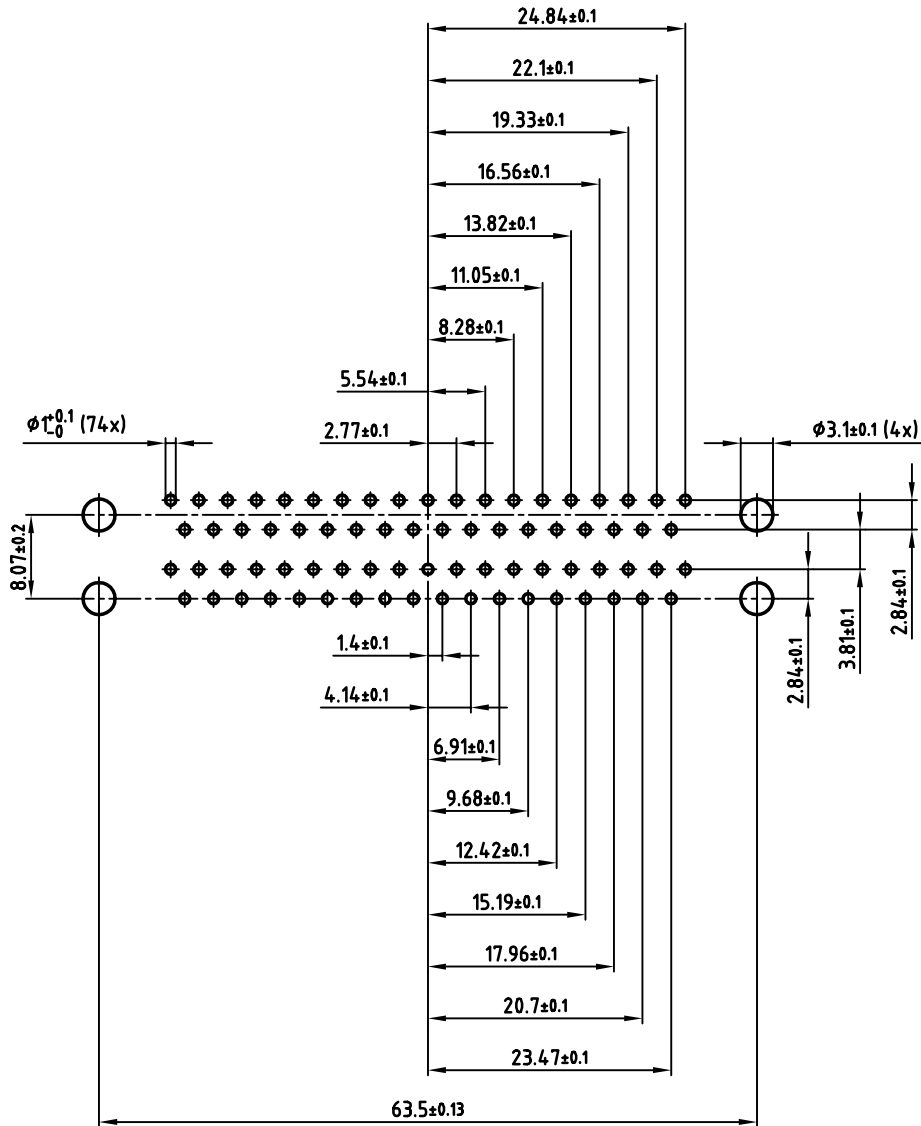
material: SEE NOTES

title: **D-SUB FILTER DUAL PORT 15.88mm**
2 x FEMALE 9pos. - 2 x FEMALE 37pos.
with threaded insert

dwg no: AutoCAD 2000 DIN-A-3 sh:1/3

part no: **24K1A516** SEE TABLE

used for: D-SUB FILTER DUAL PORT



2x37pos.

| | |
|---|--------|
| APPROVAL # FREIGABE # DEBLOCAGE # AUTOR/ZACION # APPROVAL | |
| CUSTOMER APPROVAL DATE: | |
| NAME: | TITLE: |
| COMPANY NAME: | |
| APPROVAL # FREIGABE # DEBLOCAGE # AUTOR/ZACION # APPROVAL | |

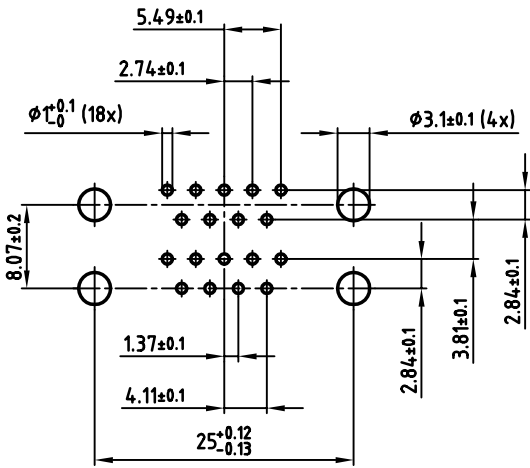
THIS DRAWING MAY NOT BE COPIED OR REPRODUCED IN ANY WAY, AND MAY NOT BE PASSED ON TO A THIRD PARTY, WITHOUT WRITTEN PERMISSION. OWNERSHIP AND COPYRIGHT OF CONEC GmbH DO NOT ALTER CAD DRAWING BY HAND

| rev. | description | date | name |
|------|-------------|------|------|
| | | | |
| | | | |
| | | | |
| | | | |
| | | | |
| | | | |
| | | | |
| | | | |
| | | | |

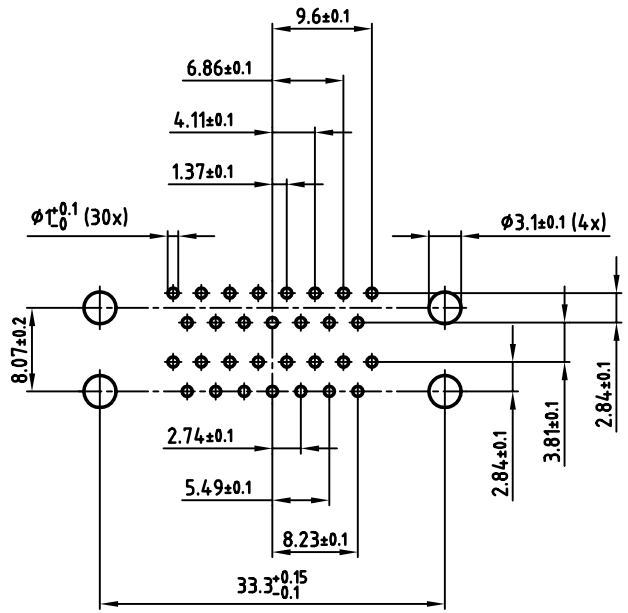
| | | | |
|-----------|-----------|--------------|----------------|
| tolerance | | | dim. in mm |
| 2004 | date | name | |
| drawn | 04.03. | Lehmenkühler | dim. in mm |
| appd. | 04.03. | Mickenbecker | |
| norm | DIN 41652 | | |
| d-old | | | |
| | | | |

| | | |
|-----------|--|--------|
| scale: | 2:1 | |
| material: | SEE SHEET 1 | |
| title: | P.C.B. HOLE DRILLINGS D-SUB FILTER DUAL PORT 15.88mm 2 x FEMALE 9pos. - 2 x FEMALE 37pos. | |
| dwg no: | AutoCAD 2000 | DIN-A |
| | 24K1A516 | 3 |
| part no: | SEE SHEET 1 | |
| | | sh:3/3 |

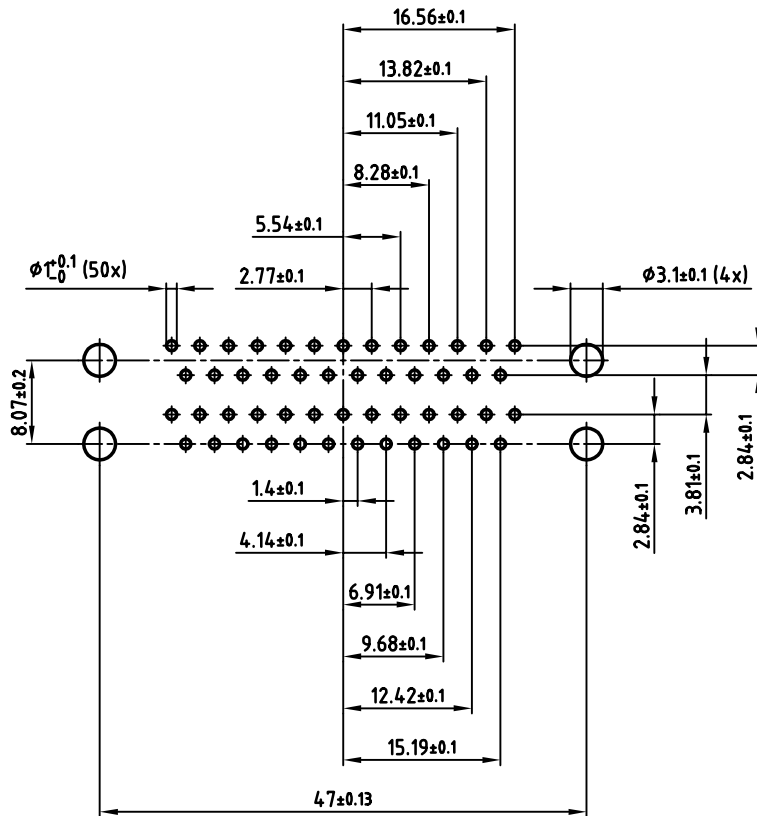
used for: D-SUB FILTER DUAL PORT



2x9pos.



2x15pos.



2x25pos.

APPROVAL * FREIGABE * DEBLOCAGE * AUTORIZACION * APPROVAL

CUSTOMER APPROVAL DATE:

NAME: TITLE:

COMPANY NAME:

APPROVAL * FREIGABE * DEBLOCAGE * AUTORIZACION * APPROVAL

THIS DRAWING MAY NOT BE COPIED OR REPRODUCED IN ANY WAY, AND MAY NOT BE PASSED ON TO A THIRD PARTY, WITHOUT WRITTEN PERMISSION. OWNERSHIP AND COPYRIGHT OF CONEC GmbH DO NOT ALTER CAD DRAWING BY HAND

| rev. | description | date | name |
|------|-------------|------|------|
| | | | |
| | | | |
| | | | |
| | | | |
| | | | |

| | | | |
|-----------|------------|--------------|--|
| tolerance | | scale: | 2:1 |
| | dim. in mm | material: | SEE SHEET 1 |
| 2004 | date | name | title: |
| drawn | 04.03. | Lehmenkühler | P.C.B. HOLE DRILLINGS D-SUB FILTER DUAL PORT 15.88mm 2 x FEMALE 9pos. - 2 x FEMALE 37pos. |
| appd. | 04.03. | Mickenbecker | |
| norm | DIN 41652 | | |
| d-old | | | dwg no: AutoCAD 2000 |
| | | | DIN-A |
| | | | 3 |
| | | | sh:2/3 |
| | | | part no: SEE SHEET 1 |

24K1A516