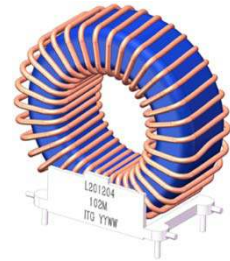




L201204 Series



1. Features of L201204 Series:

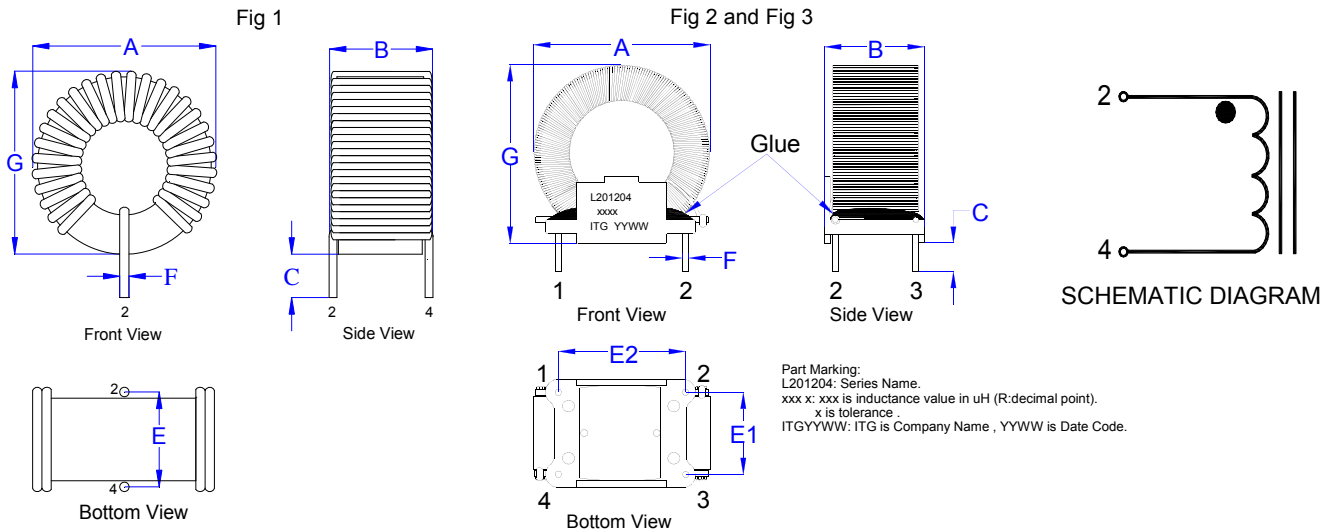
- Alloy Powder based DIP Inductor with lower core loss.
- Inductance Range:0.106mH to 33.75mH. Custom values are welcomed.
- Lower core loss, lower distributed capacitance.
- Coil mount on UL94-V0 rated plastic header.
- Fixed pin spacing allow easy PCB insertion.
- Operating temperature range of -55° C to + 130° C.
- Storage conditions: -40°C~85°C , 75% RH (Max). RoHS & HF compliant.

2. Electrical Characteristics of L201204 Series:

ITG Part Number	OCL ¹ (mH) ± 20%	DCR (mΩ) Typ.	DCR ² (mΩ) Max.	Isat ³ (A) @25°C	L@Isat (mH) Typ.	Irms ⁴ (A) @25°C	L@Irms (mH) Typ.	Dimension
L201204-101MHF	0.106	10.15	12.50	16.00	0.0726	24.00	0.0558	1
L201204-161MHF	0.165	19.32	23.50	13.00	0.1130	17.00	0.0959	2
L201204-102MHF	1.000	72.90	88.00	5.40	0.6913	8.20	0.5010	3
L201204-162MHF	1.634	154.30	186.00	4.20	1.1289	5.60	0.9210	2
L201204-452MHF	4.500	530.00	640.00	2.50	3.0335	2.50	3.3650	2
L201204-333MHF	33.750	2900.00	3480.00	0.95	23.3250	1.30	18.4541	3

3. Mechanical Dimension of L201204 Series:

Dim.	A Max.	B Max.	C ± 1.00	E ± 0.80	E1 ± 0.40	E2 ± 0.40	F ± 0.10	G Max.
1	54.50	25.50	5.00	21.50			Φ2.00	52.50
2	53.50	26.50	5.00		17.78	30.48	Φ1.27	55.00
3	54.00	28.20	5.00		22.86	38.10	Φ1.27	55.70



Notes:

1. Open Circuit Inductance (OCL) test condition: 10KHz,0.25Vrms,0Adc.
2. The nominal DCR is measured from PIN2 to PIN4 , as shown above on the mechanical drawing (Ta=25°C).
3. Isat: DC current that will cause inductance to drop approximately by 35% (Ta=25°C).
4. Irms: DC current for temperature rise of 40°C(Typ.) without core loss.

● New York 1 914 347 2474 ● Taipei 886 2 2698 8669 ● Kaohsiung 886 7 350 2275
 ● Japan 81 568 85 2830 ● Shenzhen 86 755 8418 6263 ● Shanghai 86 21 5424 5141 ● Hong Kong 852 9688 9767
 ● sales@ITG-Electronics.com ● www.ITG-Electronics.com Revision A: October 28, 2016

*Due to continuous product improvement, all specifications are subject to change without prior notice. Kindly contact an ITG field application engineer or a sales representative prior to purchase.