

PART NAME: HANDLE

SCALE: 1:1

DATE: 6/13/95

DR. BY NH


 DESIGNERS & MANUFACTURERS  
 OF KNOBS, HANDLES, CASES &  
 CUSTOM PLASTIC COMPONENTS

P/N 3090-K

 THIS DRAWING IS THE PROPERTY OF DAVIES MOLDING COMPANY. IS SUBMITTED SOLELY AS A DESIGN OR ENGINEERING PROJECT.  
 WE ACCEPT NO RESPONSIBILITY WHATSOEVER FOR THE PRACTICAL APPLICATION OF THE PIECES MADE TO THIS DESIGN.

DO NOT SCALE DRAWING

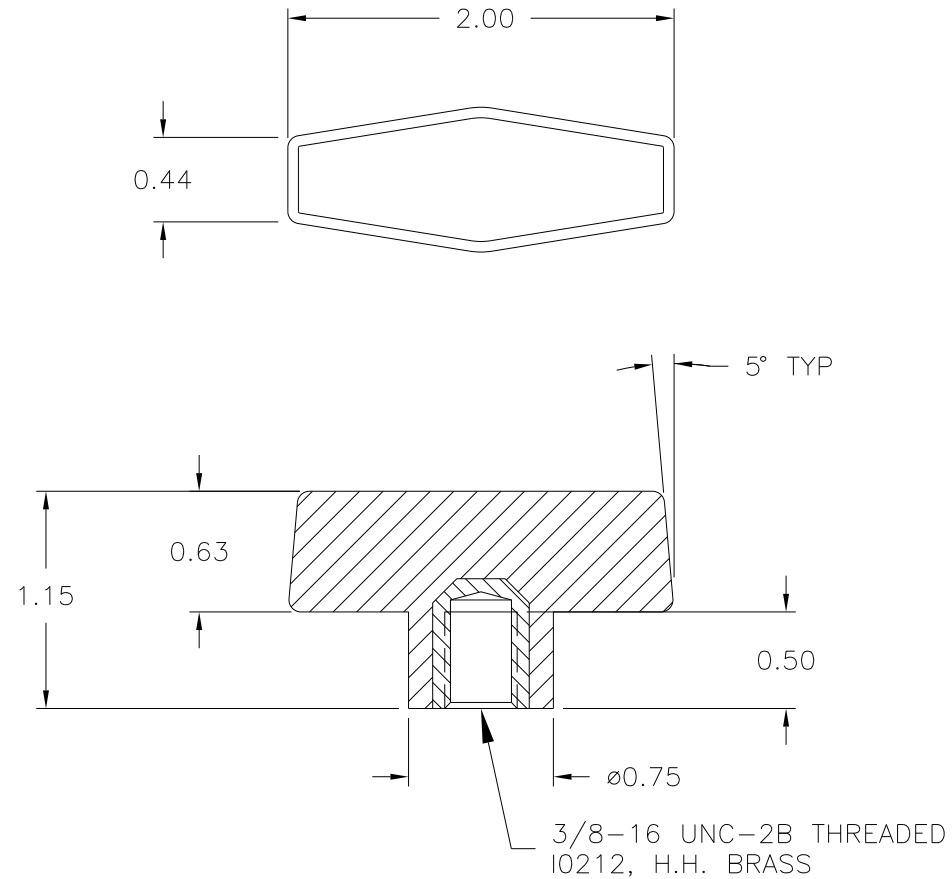
M<sup>NO.</sup> 5904

CAVITY 3090

PLUNGER 3090

PINS 3090&amp;3090-5

INSERT 10212

RAIL AND  
PILLAR SPACERS .375
 MATERIAL: G.P. PHENOLIC (B11)  
 COLOR: BLACK

TOLERANCES: UNLESS OTHERWISE SPECIFIED	DO NOT SCALE DRAWING				
DECIMALS: X.XXX ± .005 X.XX ± .015	MM: X.XX ± 0.15MM X.X ± 0.4MM	-	REDRAWN	TL	11/2/99
FRACTIONS ± 1/64	ANG. ± 1°	CHANGES			