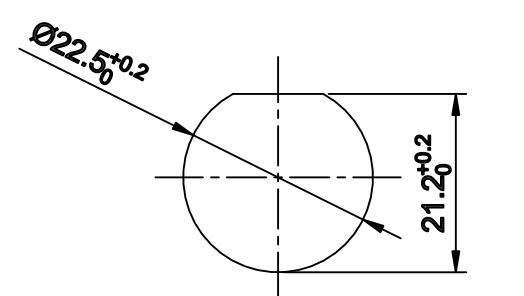
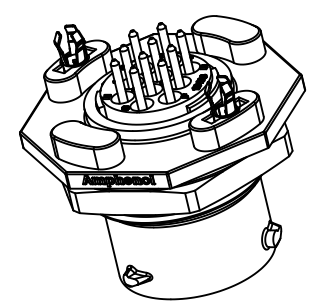
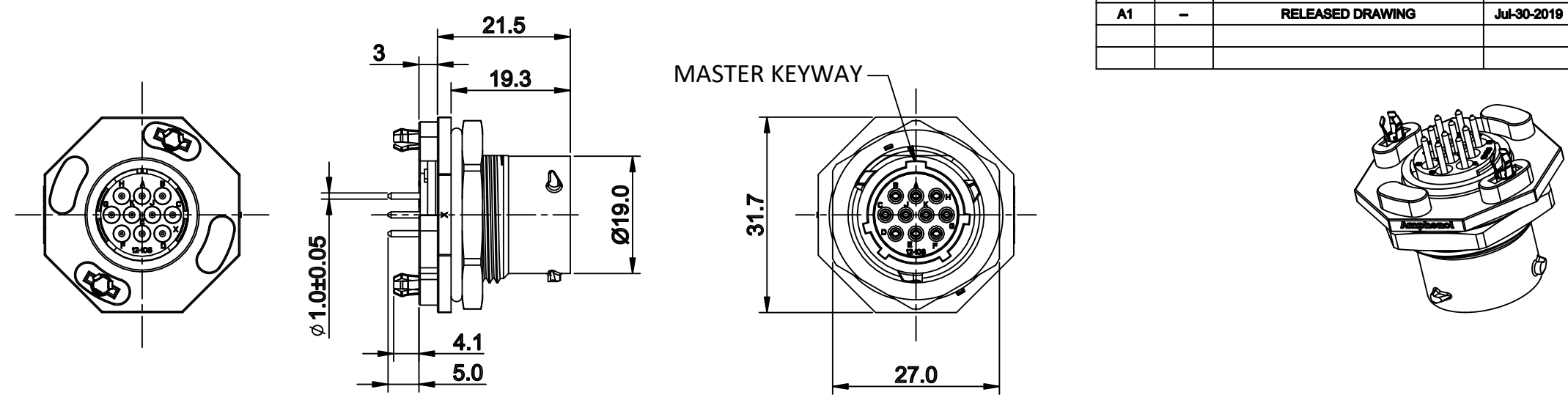
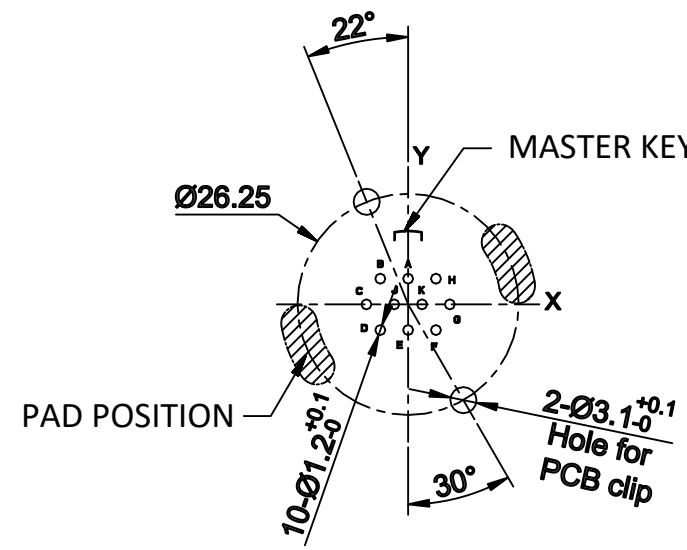


REVISIONS					
REV	ECO	DESCRIPTION	DATE	BY	APPR
A1	-	RELEASED DRAWING	Jul-30-2019	Ronald	Tommy



RECOMMEND MOUNTING HOLE



RECOMMEND PCB LAYOUT

Position number	X	Y
A	0.000	3.050
B	-3.300	3.050
C	-4.950	0.000
D	-3.300	-3.050
E	0.000	-3.050
F	3.300	-3.050
G	4.950	0.000
H	3.300	3.050
J	-1.650	0.000
K	1.650	0.000

NOTES: (UNLESS OTHERWISE SPECIFIED)

- MATERIAL:
 - SHELL: THERMOPLASTIC, UL94 V-0.
 - INSERT: THERMOPLASTIC, UL94 V-0.
 - O-RING: SILICONE RUBBER.
 - FIXED RUBBER: NBR
 - SEAL GASKET: SILICONE RUBBER.
 - JAM NUT: ALUMINIUM ALLOY, BLACK ANODIZING.
 - CONTACT: COPPER ALLOY, GOLD PLATED.
 - LOCKING POSTS: COPPER ALLOY, TIN PLATED.
- SPECIFICATIONS:
 - 2.1 RATED CURRENT: MACHINED CONTACT 7.5A (MAX).
 - 2.2, RATED VOLTAGE: 250V (AC/DC).
 - 2.3, OPERATING TEMPERATURE: -40C - 125C.
 - 2.4 DIELECTRIC WITHSTANDING VOLTAGE: LESS THAN 2 MILLIAMPS CURRENT LEAKAGE@1500 VOLTS AC.
 - 2.5 INSULATION RESISTANCE: 5000 MEGOHMS MIN.
 - 2.6 IP--CLASS: IP67 AND IP69K IN THE MATED CONDITION.
 - 2.7 MATING CYCLES DURABILITY: 500 CYCLES MIN.
 - 2.8 RoHS COMPLIANT.
- SUITABLE CONTACTS: 20# CONTACT
- ALL DIMENSIONS ARE FOR REFERENCE USE ONLY.

KEY	PART NUMBER
N	RTS712ND10S0332
W	RTS712WD10S0332
X	RTS712XD10S0332
Y	RTS712YD10S0332
Z	RTS712ZD10S0332

QUANTITY	PART NUMBER	DESCRIPTION	ITEM
MATERIALS LIST			
<small>UNLESS OTHERWISE SPECIFIED</small> 1) All dimensions are in metric(mm). 2) Tolerances are as follows: 1 PL DEC ±0.30 Fractions ±1/64 2 PL DEC ±0.15 Angles ±1° 3 PL DEC ±0.08 3) Note reference =		SIGNATURES DATE DRAWN: Ronald Jul-30-2019 CHECKED: Martin Jul-30-2019 ENGINEER: APPROVAL: Tommy Jul-30-2019	
MATERIAL SPECIFICATIONS: PROCESS SPECIFICATIONS: NEXT ASSY:		<div style="text-align: center;"> <p>Sine Systems - www.amphenol-sine.com 44724 Morley Drive Clinton Township, MI 48036</p> </div> CUSTOMER: THIS DRAWING IS SUPPLIED FOR INFORMATION ONLY. DESIGN FEATURES, SPECIFICATIONS AND PERFORMANCE DATA SHOWN HEREON ARE THE PROPERTY OF THE AMPHENOL CORPORATION. NO RIGHTS OF REPRODUCTION ARE IMPLIED. ALL DIMENSIONS ARE SUBJECT TO NORMAL MANUFACTURING VARIATIONS.	
SIZE: B TYPE: C- DWG NO: RTS712*D10S0332 REVISION: A1		SCALE: NONE SHEET 1 OF 1	

TITLE: RECEPTACLE, JAM NUT, 10POS, SOCKET CONTACT, SIZE 12
 PART NO: RTS712D10S0332 REV: A1 SHEET: 1 OF 1