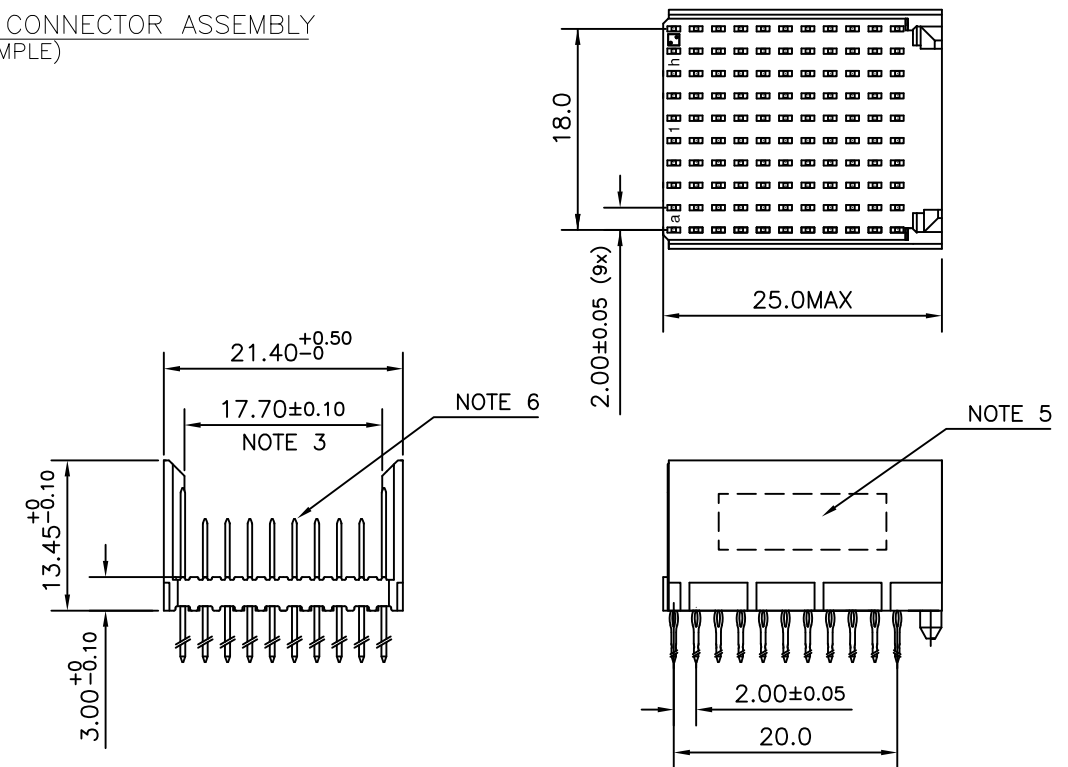


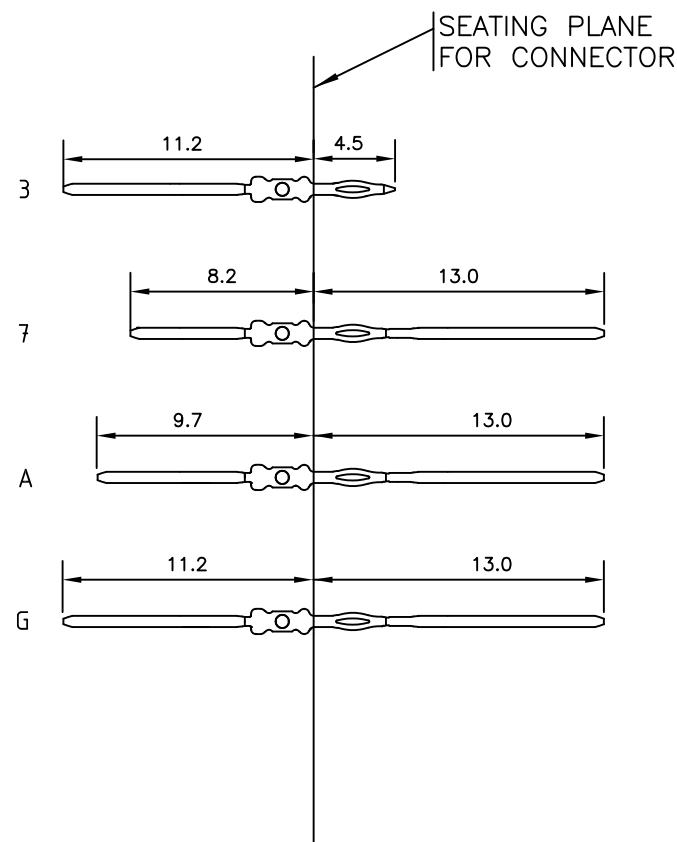
LOADING PATTERN MATING SIDE

y	3	3	3	3	3	3	3	3	3	3
h	7	7	7	7	7	7	7	7	7	7
g	A	A	A	A	A	A	A	A	A	A
f	A	A	A	A	A	A	A	A	A	A
e	G	G	G	G	G	G	G	G	G	G
d	G	G	G	G	G	G	G	G	G	G
c	A	A	A	A	A	A	A	A	A	A
b	A	A	A	A	A	A	A	A	A	A
a	7	7	7	7	7	7	7	7	7	7
z	3	3	3	3	3	3	3	3	3	3
POS	01	05	10							

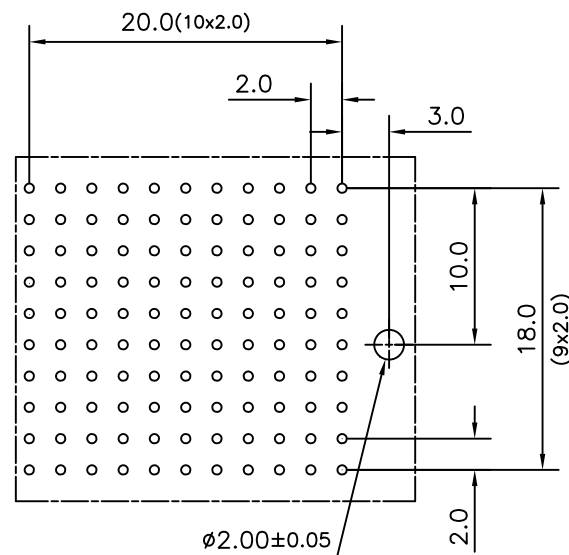
LOADED CONNECTOR ASSEMBLY
(FOR EXAMPLE)



CONTACT OVERVIEW



LAY-OUT P.C.B.-HOLE



LEAD FREE INDICATOR : LF = LEAD FREE

(DIGIT 15 & 16)

HM2P89PKA1M1

PLATING CODE (DIGIT 13 AND 14)

(REF. DWG NO. BSC,201844, 003)

NOTES

1. THIS PRODUCT IS CSA APPROVED.
2. THIS PRODUCT IS UL RECOGNIZED.
3. MEASURED AT THE BOTTOM.
4. FOR GENERAL DETAILS PLEASE REFER DRAWING: BS, C ,203028, 000
5. CONNECTOR PRINTED WITH P/N AND DATE CODE.
6. FOR ACTUAL CONTACT LOADINGS, SEE LOADING PATTERN MATING SIDE.
7. THIS PRODUCT MEETS EUROPEAN UNION DIRECTIVES AND OTHER COUNTRY REGULATIONS AS DESCRIBED IN GS-47-0004
8. FOR RECOMMENDED PTH DIMENSIONS REFER DRAWING : BS, A , 201572 , 001

CATALOG NO: HM2P89PKA1M1----

mat'l. code SEE NOTE 4		surface ISO 1302 ✓	tolerance ISO 406 ISO 1101	projection 	product family MILLIPACS
ltr		tolerances unless otherwise specified		MM	title MPACS 8+2R STR HDR PF CONN TYPE F
B	ecn no 105-0221	dr MINI	date 2005-11-08		
C	106-0120	VIVEK	2006-08-04	linear .00±0.1	
D	ELX-I-37630	MINI	2020-07-08	0°±1°	
sheet index		dr	MINI K VANDANATH	2020-07-08	Amphenol FCI dwg no sheet 1 of 1 size BS, C ,202175,069 type Product Customer Drawing
revision		enr	BINESH	2020-07-08	
D		chr	ALEX	2020-07-08	
1		appd	SANOJ	2020-07-08	