

# S CN HB - J 1 1 75 - SO RPM

SUNTSU

CONNECTOR

HD BNC

Connector Type  
Jack

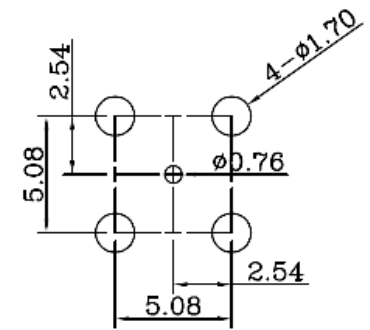
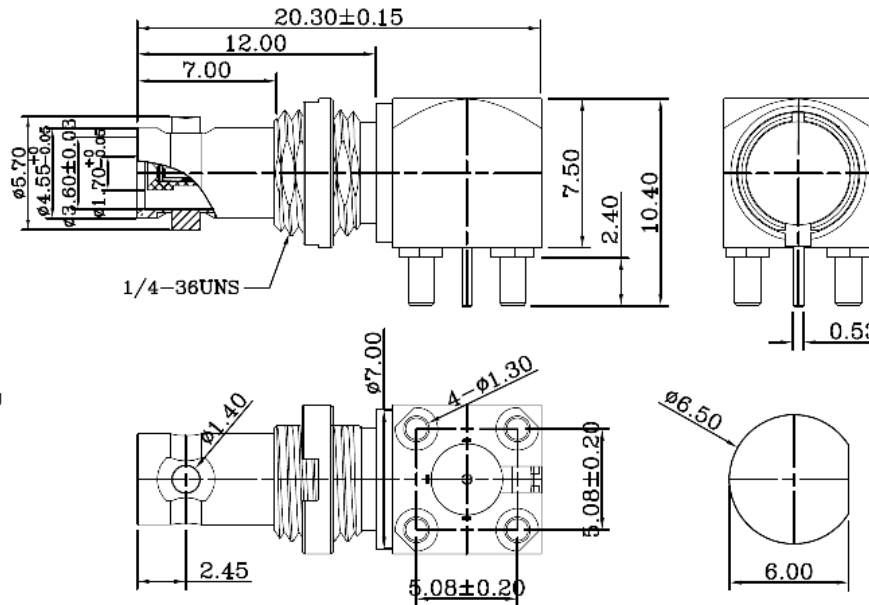
Rows

Connectors  
per Row

Impedance  
75

Contact Termination  
Solder

Mounting Style  
Right Angle PCB  
Mount



**Recommended  
Mounting  
Layout**

1. Materials
  - a) Body, Cap & Nut: Brass, Nickel Plating
  - b) Housing: Brass, Gold Plating
  - c) Contact: BeCu, Gold Plating
  - d) Insulators: PTFE, Natural
  - e) Insulator: Ultem 1000, Natural
2. Electrical
  - a) Impedance: 75Ω
  - b) Frequency Range: DC-12GHz
  - c) Return Loss: 25dB Min. @DC-6GHz  
10dB Min. @6-12GHz
  - d) Dielectric Withstanding Voltage: 1000VRMS, Min.
  - e) Insulation Resistance: 10,000MΩ Min.
3. Mechanical
  - a) Durability: 500 Cycles Min.
4. Packaging
  - a) Quantity: Single Pack
  - b) Marking: Bag to be marked  
FREQUENCY RANGE: DC-18GHz



**HD BNC FEMALE RIGHT  
ANGLE PCB MOUNT**

Document History				Part No.	Drawn
Edits Made	Date	Edited By	Approved By	SCNHB-J1175-SORP	B. Gibbons 08/31/2022
Initial Release	08/31/2022	B. Gibbons	KH Mun	Scale	Tolerance
				Not drawn to scale	0.5-15 = ±0.15 15-30 = ±0.30 30-120 = ±0.60 >120 = ±1.00
				Unit	Pages
				mm	1/1