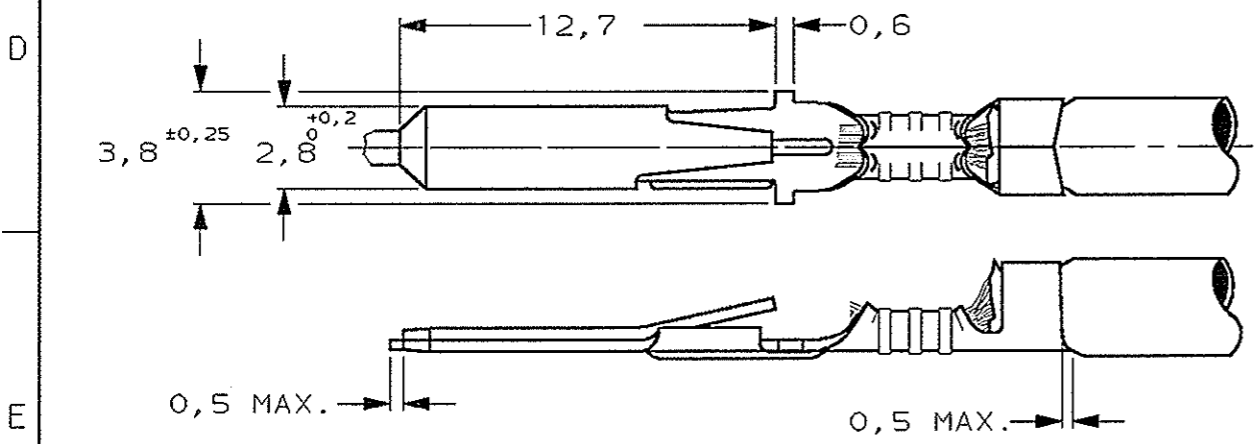
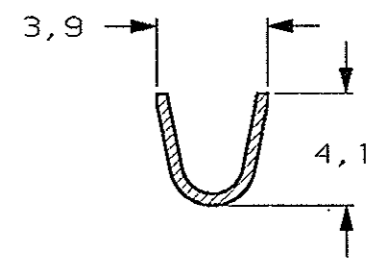
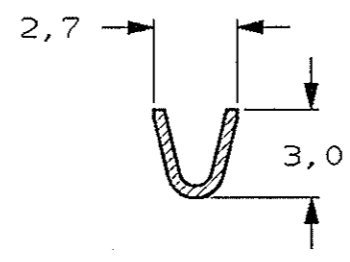


SECTION A-A

SECTION B-B



OBSOLETE

OTTONE PRE STAGNATO (PRE TIN PLATED)	OTTONE (BRASS)	160887-4	K
NUDO (UNPLATED)	OTTONE (BRASS)	160887-3	J
PRE STAGNATO (PRE-TIN PLATED)	BRONZO FOSF. (PHOS. BRONZE)	160887-2	L
NUDO (UNPLATED)	BRONZO FOSF. (PHOS. BRONZE)	160887-1	J
FINITURA / COLORE (FINISH / COLOUR)	MATERIALE (MATERIAL)	NUMERO (P/N)	REV

CUSTOMER DWG. FOR REFERENCE ONLY DISEGNO PER CLIENTE SOLO PER RIFERIMENTO

THIS DRAWING IS UNPUBLISHED RELEASE FOR PUBLICATION 19

© COPYRIGHT 19 BY TE INCORPORATED, HARRISBURG, PA. ALL INTERNATIONAL RIGHT RESERVED. TE PRODUCTS MAY BE COVERED BY U.S. AND FOREIGN PATENT AND/OR PATENT PENDING

TOLLERANZE: SE NON DIVERSAMENTE SPECIFICATO
(TOLERANCES, UNLESS OTHERWISE SPECIFIED)

± 0.3
ANGOLI (ANGLES) ± 2°

DIS. H. YAALI (DR.) 16 JULY 2003
CONT. C. TARTARI (CHK) -

APP. (APP.) -

DIAM. ISOLANTE (INS. DIA. RANGE) 1.4-2.3
RANGO FILO (WIRE RANGE) mm2 0.5-1.5
SCALA (SCALE) 4:1



DESCRIZIONE (DESCRIPTION) FASTIN-FASTON® Connector, 2.8 mm series RECEPTACLE CONTACT

LOC. SIZE NUMERO (DWG NO) I A3 C-160887

REV. FOSLTO (SHEET) L1 1 DI (OP) 1

1) STATO DO FORNITURA (SUPPLY CONDITION)



SENDO DI USCITA DEL TERMINALE DALLA BOBINA (DIRECTION OFF TOP OF REEL)

2) SPECIFICA DI PRODOTTO 108-20020. (PRODUCT SPEC. 108-20020).
SPECIFICA DI AGRAFFATURA 114-20021. (APPLICATION SPEC. 114-20021).