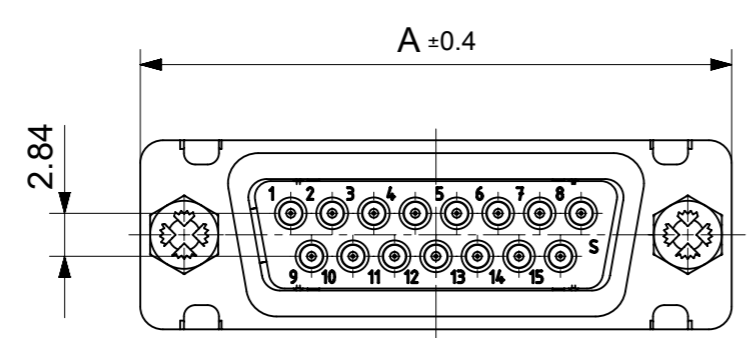
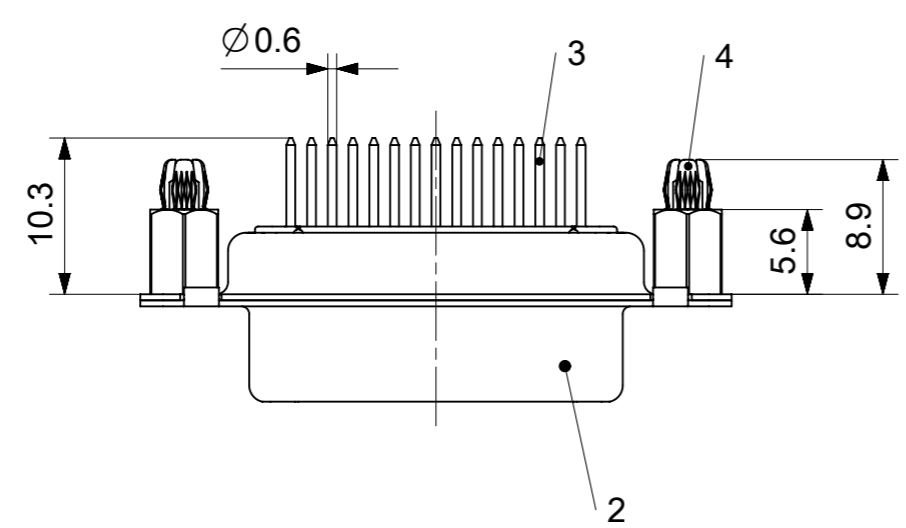
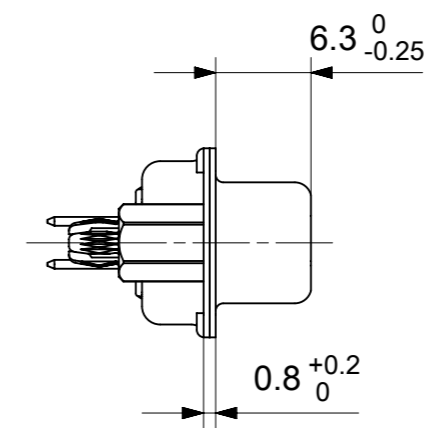
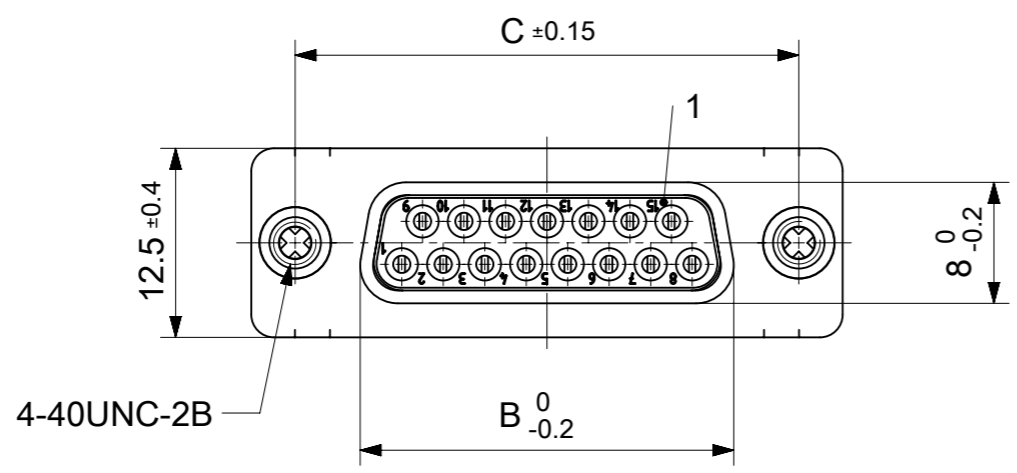


RoHS compliant
by exemption



FCT Part number:
Fxx*1)S1y*2)-0981
e.g. F15S1G1-0981
*1) xx No. of contacts 09, 15, 25 or 37
*2) y for performance classes 1, 2 or 3
(contact cycle for G1/G2/G3 = 500/200/50)

Material Number	xx*1)	y*2)	A[mm]	B[mm]	C[mm]	*E[mm]	*F[mm]
1731090460	09	G1	30.8	16.4	25	Ø1	Ø3
1731090423		G2					
1731091317	15	G1	39.1	24.7	33.3		
1731090424		G2					
1731091450	25	G1	53	38.5	47.04		
1731090425		G2					
1731092112	37	G1	69.3	54.9	63.5		
1731091941		G2					

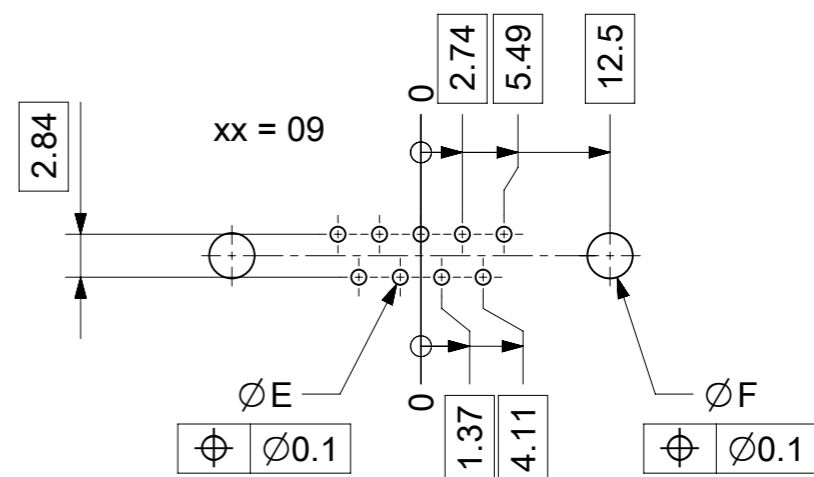
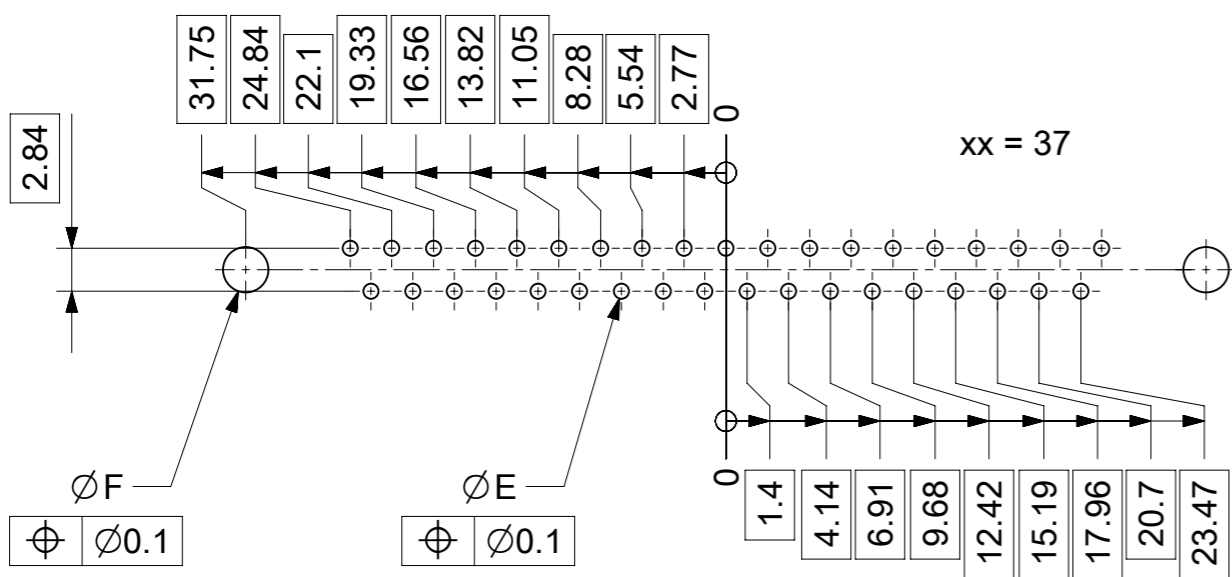
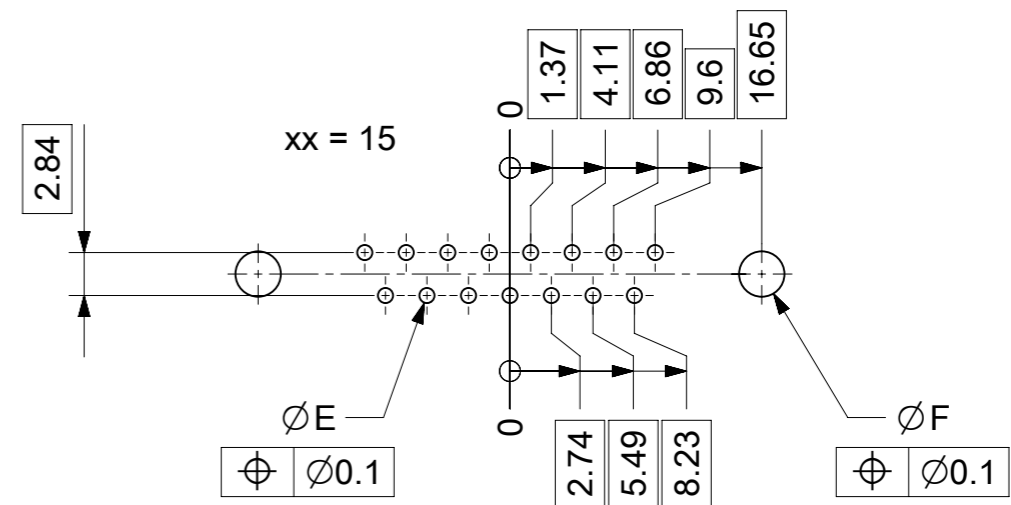
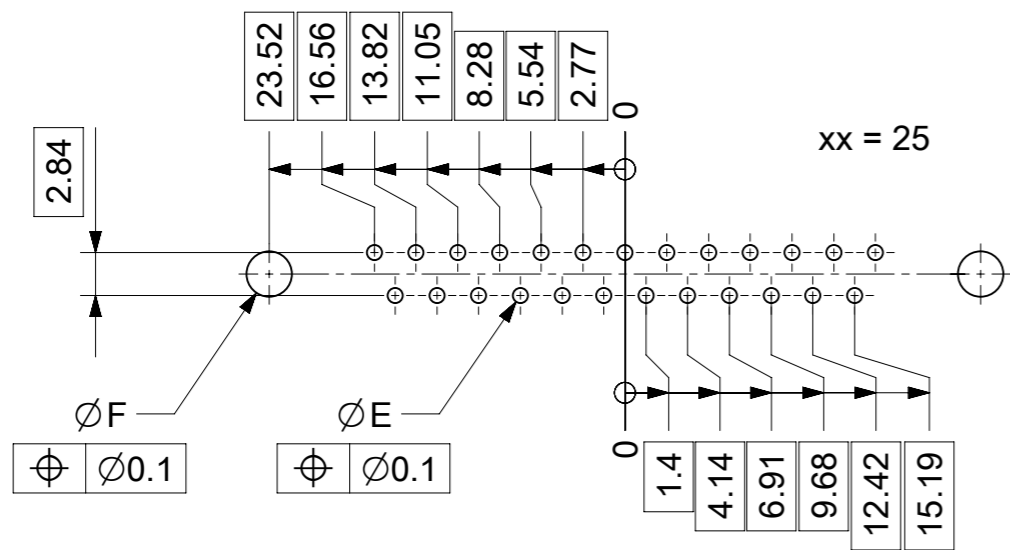
*PCB hole patterns ØE, ØF see document 2195600023

No.	Pc.	Part	Type Description/Material	Surface plating/Color/Class
4	2	Snap-in bolt	PCB 1.6mm / Brass	tin plated
3	xx	Signal contact	S1 / Brass	G1 / G2
2	1	Shell	Steel	tin plated
1	1	Insulator	PBT (-55°C to +125°C) acc. UL94V-0	white

MEASUREMENTS WITHOUT TOLERANCE ACC TO ISO 2768-m

REPLACEMENT FOR DOCUMENT NUMBER: FxxS1Gy-0981

FUNCTIONAL SYMBOLS	THIS DRAWING CONTAINS INFORMATION THAT IS PROPRIETARY TO MOLEX ELECTRONIC TECHNOLOGIES, LLC AND SHOULD NOT BE USED WITHOUT WRITTEN PERMISSION	CURRENT REV DESC:		molex
$\nabla_A = 0$ $\nabla_E = 0$ $\nabla_F = 0$	DIMENSION UNITS: mm SCALE: 2:1 GENERAL TOLERANCES (UNLESS SPECIFIED) ANGULAR TOL ± °	EC NO: 707726 DRWN: GOOLAM 2021/12/03 CHK'D: MTEUBEL 2022/05/25 APPR: MTEUBEL 2022/05/25		
DIVISIONAL SYMBOLS	4 PLACES ± 3 PLACES ± 2 PLACES ± 1 PLACE ± 0 PLACES ±	INITIAL REVISION: DRWN: GOOLAM 2021/12/03 APPR: MTEUBEL 2022/05/25		PRODUCT CUSTOMER DRAWING DOCUMENT NUMBER: 1731090460 DOC TYPE: PSD DOC PART: 000 REVISION: A
DRAFT WHERE APPLICABLE MUST REMAIN WITHIN DIMENSIONS		FIRST ANGLE PROJECTION	DRAWING: A3-SIZE	SHEET NUMBER: 1 OF 1



$\varnothing E$, $\varnothing F$ see data sheet incl. connector
 $\varnothing F$ connectors with accessories only

MEASUREMENTS WITHOUT TOLERANCE ACC TO ISO 2768-m			REPLACEMENT FOR DOCUMENT NUMBER: AM0023		
THIS DRAWING CONTAINS INFORMATION THAT IS PROPRIETARY TO MOLEX ELECTRONIC TECHNOLOGIES, LLC AND SHOULD NOT BE USED WITHOUT WRITTEN PERMISSION					
FUNCTIONAL SYMBOLS	DIMENSION UNITS	SCALE	CURRENT REV DESC:		
$\nabla_A = 0$	mm	2:1	EC NO: 713905		
$\nabla_E = 0$	GENERAL TOLERANCES (UNLESS SPECIFIED)		DRWN: SKANDB 2022/05/16		
$\nabla_P = 0$	ANGULAR TOL \pm °		CHK'D: MTEUBEL 2022/07/12		
DIVISIONAL SYMBOLS	4 PLACES \pm		APPR: MTEUBEL 2022/07/12		
	3 PLACES \pm		INITIAL REVISION:		
	2 PLACES \pm		DRWN: SKANDB 2022/05/16		
	1 PLACE \pm		APPR: MTEUBEL 2022/07/12		
	0 PLACES \pm		DRAFT WHERE APPLICABLE MUST REMAIN WITHIN DIMENSIONS		
	FIRST ANGLE PROJECTION	DRAWING	SERIES	MATERIAL NUMBER	CUSTOMER
		A3-SIZE	219560	219560	GENERAL MARKET
			DOCUMENT NUMBER	DOC TYPE	DOC PART
			2195600023	PSD	000
			REVISION		
			A		
			SHEET NUMBER		
			1 OF 1		