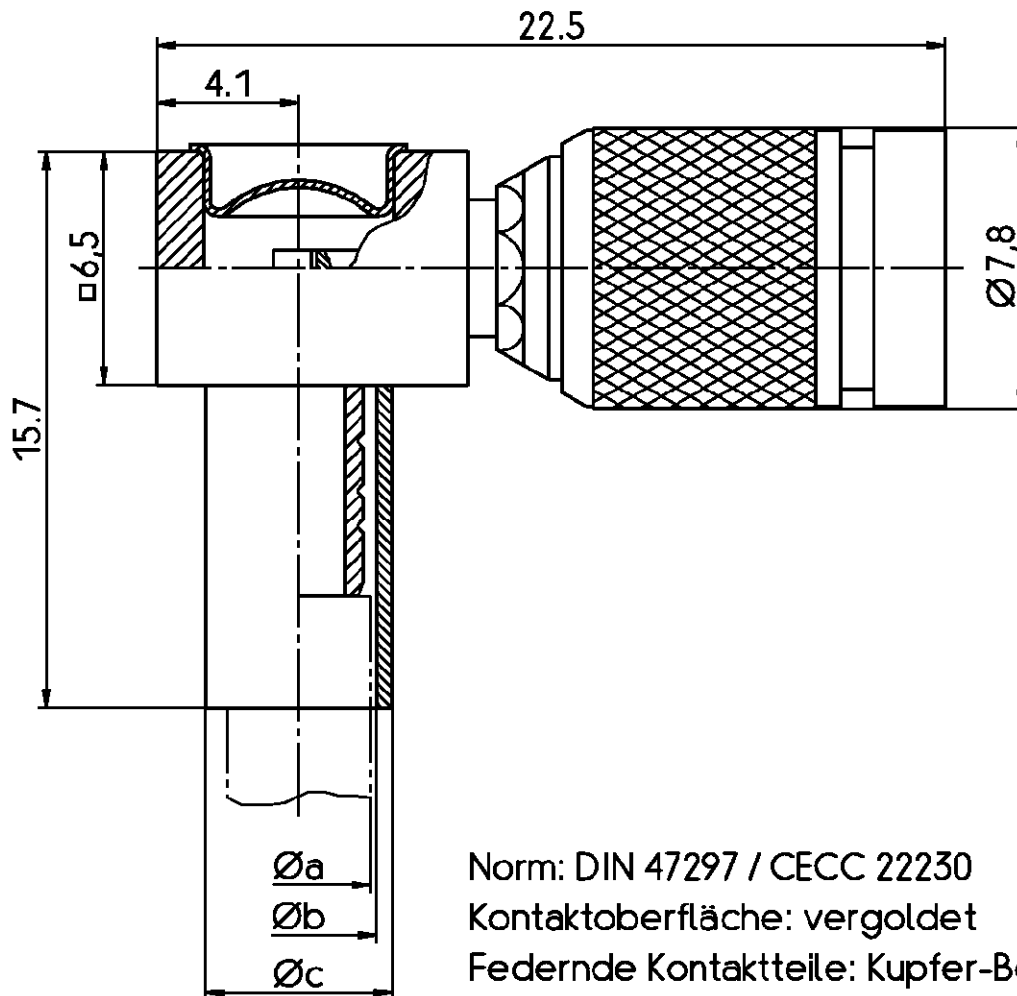


Cross Reference tabel

Old part number	Tyco Electronics P/N	Kabel	Maß a <sup>1)</sup>	Maß b <sup>2)</sup>	Maß c <sup>1)</sup>
V23614-A263-P76	7-1393670-0	02Y(ST)CY0.45/2.0	3.6	3.9	5.2

Active Part numbers. Contact Tyco Electronics for other configuration availability



Norm: DIN 47297 / CECC 22230  
 Kontaktoberfläche: vergoldet  
 Federnde Kontaktteile: Kupfer-Beryllium  
 Isolierteile: PTFE

2) Kleinstmaß  
 1) Größtmaß



Tyco Electronics Corporation  
 Oostkamp - Belgium



DIMENSIONS  
 IN MM

SCALE 5:1

WEIGHT

MATERIAL

PART NAME

Cable Angle plug 1.0/2.3  
 with Quick lock Coupling

PART NO.

V23614-A263-P\*\*\*-\*-27

SHT.  
 1

REV	CHANGE ORDER	DATE	APP
A	WO 00/7018	21.08.00	KM
01		10.09.96	
51		26.04.96	

DATE	26.04.96
NAME	LEEMAN
DEP.	C/I HFE

TOLERANCE UNLESS  
 SPECIFIED OTHERWISE

Customer Drawing No : C 7-1393670-0

OF 1

THIS INFORMATION IS CONFIDENTIAL AND PROPRIETARY TO TYCO ELECTRONICS CORPORATION AND ITS WORLDWIDE SUBSIDIARIES AND AFFILIATES. IT MAY NOT BE DISCLOSED TO ANYONE OTHER THAN TYCO ELECTRONICS PERSONNEL, WITHOUT WRITTEN AUTHORIZATION FROM TYCO ELECTRONICS CORPORATION, HARRISBURG, PENNSYLVANIA, USA.

PROPRIETARY: