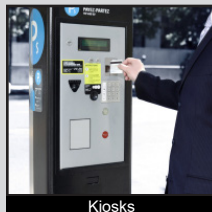


# ULV8 SERIES ANTI-VANDAL SWITCH

ANTI-VANDAL SWITCHES  
DETECTOR SWITCHES  
DIP SWITCHES  
KEYLOCK SWITCHES  
NAVIGATION SWITCHES  
PUSHBUTTON SWITCHES  
ROCKER SWITCHES  
ROTARY SWITCHES  
SLIDE SWITCHES  
SNAP ACTION SWITCHES  
TACTILE SWITCHES  
TOGGLE SWITCHES  
CAP OPTIONS



## APPLICATIONS / MARKETS



RoHS

## SPECIFICATIONS

**Electrical Rating:** 3A, 125/250VAC  
**Mechanical Life:** 1,000,000 cycles (momentary); 500,000 cycles (latching)  
**Electrical Life:** 50,000 Cycles  
**Contact Resistance:** 50mΩ Max. at 1A 12VDC  
**Insulation Resistance:** 1,000MΩ min. @ 500 VDC  
**Dielectric Strength:** 2,000VAC for 1 minute  
**Operating/Storage Temperature:** -20°C to 55°C  
**Travel:** 3.2mm  
**Moisture Protection:** IP67  
**Contact Arrangement:** SPDT or DPDT  
**Actuation Force:** SPDT: 2.5N; DPDT: 3.5N, Molded Back: SPDT & DPDT: 5.5N  
**Panel Thickness:** 1-10mm  
**Hex Nut Torque:** 5-14Nm  
**Mechanical Impact Protection:** IK08 (Stainless)  
**Agency Approvals:** cURus

## FEATURES & BENEFITS

- 25mm diameter panel cutout
- Ring or Ring/Power symbol illumination
- Multiple switch functions available
- Multiple illumination voltage options
- IP67 rated
- SPDT or DPDT
- UL Certified
- Soldered wire leads (300mm long) optional
- Detachable socket w/ wire leads (500mm long) optional
- Molded back w/ wire leads (500mm long) optional

## PART NUMBER CONFIGURATOR

Series	Actuator	Terminal	Function	Body Finish	Actuator Finish	Contact Material	Lens Style	LED Color	Illumination Voltage	Graphic Options
ULV8	F - Flat	2 - Solder Lug W - Wire Leads 300mm long P - Detachable Socket w/ Wire Leads 500mm long M - Molded Back w/ Wire Leads 500mm long	3 - 1P ON-ON B - 1P ON-(ON)* G - 2P ON-ON H - 2P ON-(ON)*	S - Stainless Steel 1 - Black Anodized	S - Stainless Steel 1 - Black Anodized L - Silver for Graphic	None - Silver G - Gold	3 - Ring Illumination, moveable with actuator 6 - Ring/Power Symbol Illumination, moveable with actuator (Stainless Steel only) L - Graphic Illumination (Only Available with L Actuator Finish)	0 - White 1 - Red 2 - Orange 3 - Green 4 - Blue 5 - Yellow F - Red / Orange G - Red / Green H - Red / Blue J - Red / Yellow K - Orange / Green N - Blue / Green P - Green / Yellow Q - Blue / Yellow	1 - 3V 3 - 6V 4 - 12V 5 - 24V 6 - 110V 7 - 220V	L17 - Bluetooth L18 - Wifi L20 - START L21 - OFF L22 - ON L35 - STOP  For more standard options reference the Graphic Options pages of Data Sheet

NOTES:  
 \*( ) denotes function is momentary  
 Call us for custom graphic options 800-867-2717

Specifications subject to change without notice 8.1.2022



E-SWITCH®

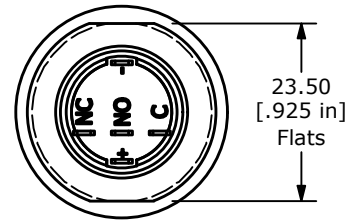
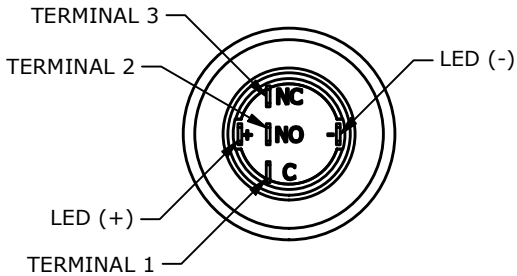
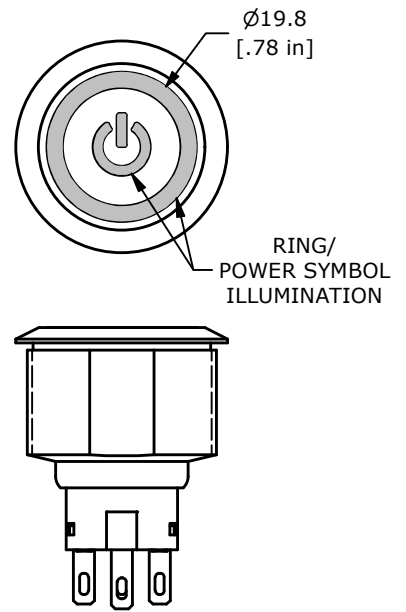
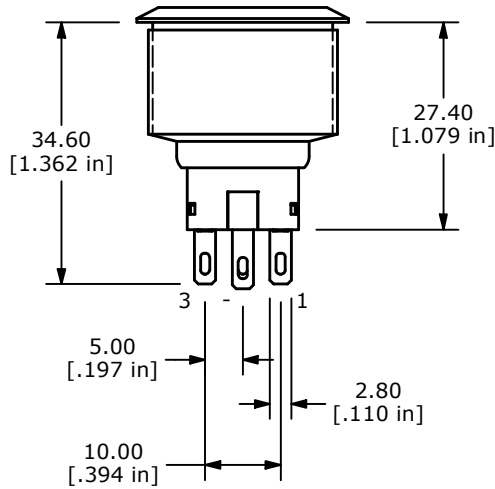
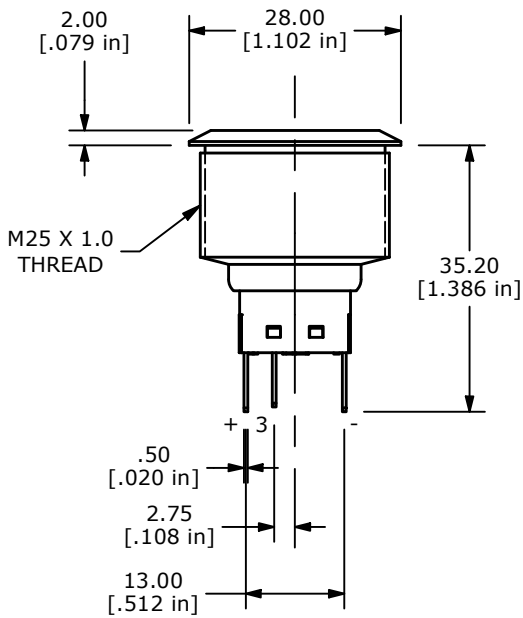
www.e-switch.com

800.867.2717

1

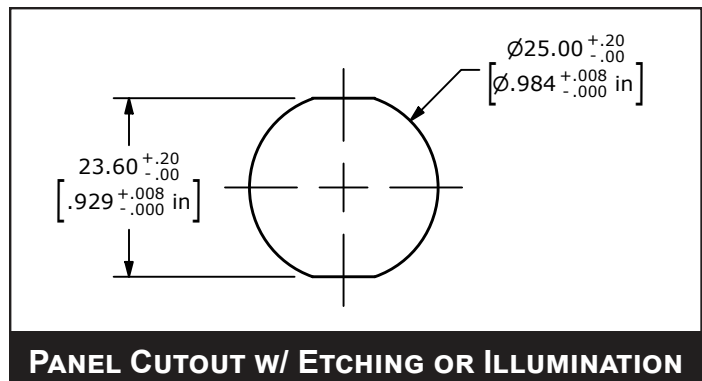
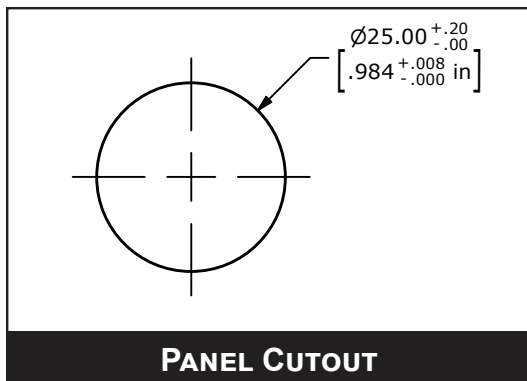
# ULV8 SERIES ANTI-VANDAL SWITCH

## BODY DIMENSIONS - SPDT



HOUSING WITH FLATS (SPDT OR DPDT) USED ON SWITCHES WITH RING/POWER SYMBOL OR OTHER GRAPHICS (SPDT SHOWN)

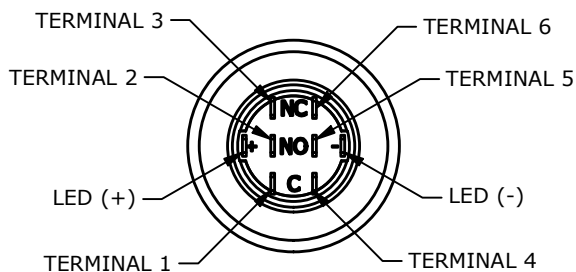
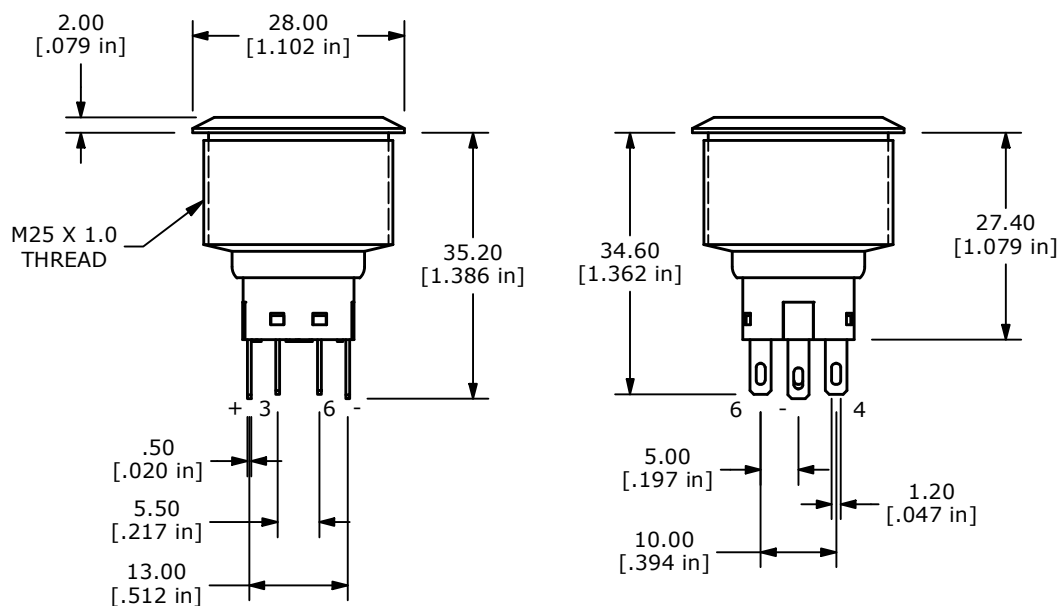
### SPDT SWITCH DIMENSIONS



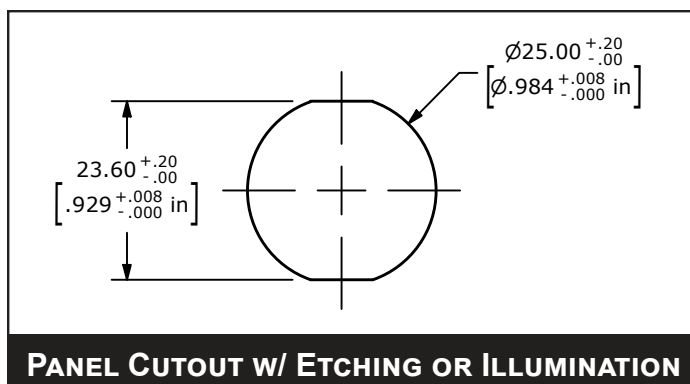
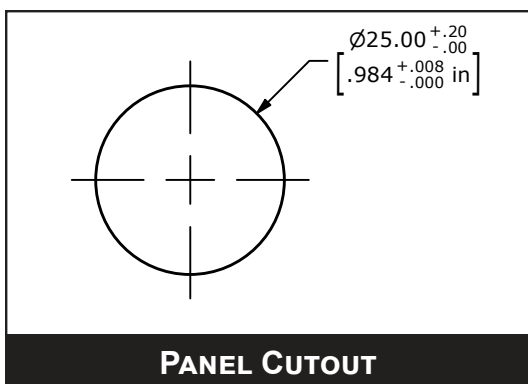
ANTI-VANDAL SWITCHES  
DETECTOR SWITCHES  
DIP SWITCHES  
KEYLOCK SWITCHES  
NAVIGATION SWITCHES  
PUSHBUTTON SWITCHES  
ROCKER SWITCHES  
ROTARY SWITCHES  
SLIDE SWITCHES  
SNAP ACTION SWITCHES  
TACTILE SWITCHES  
TOGGLE SWITCHES  
CAP OPTIONS

# ULV8 SERIES ANTI-VANDAL SWITCH

## Body Dimensions - DPDT

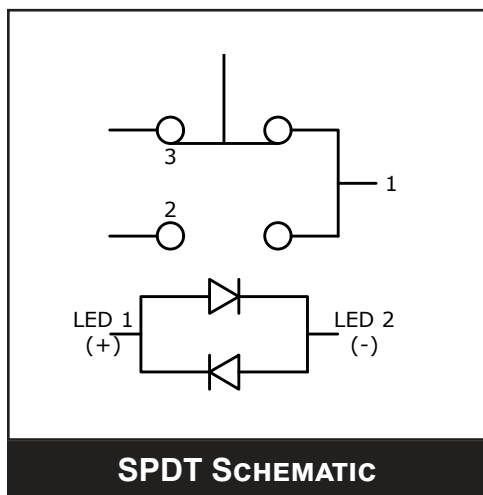


### DPDT SWITCH DIMENSIONS

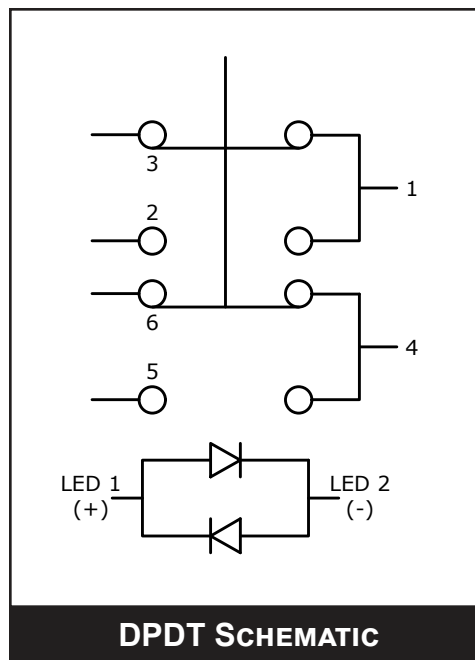


# ULV8 SERIES ANTI-VANDAL SWITCH

## SCHEMATICS

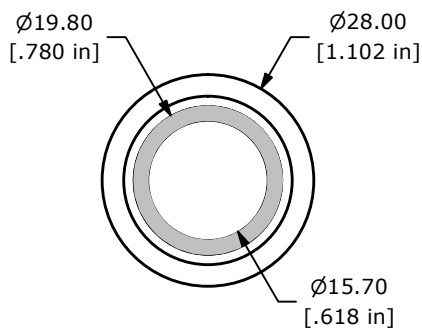


**SPDT SCHEMATIC**

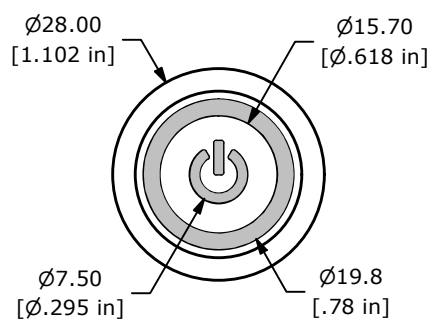


**DPDT SCHEMATIC**

## ACTUATOR OPTIONS



**RING ILLUMINATED**



**RING / POWER SYMBOL ILLUMINATED**



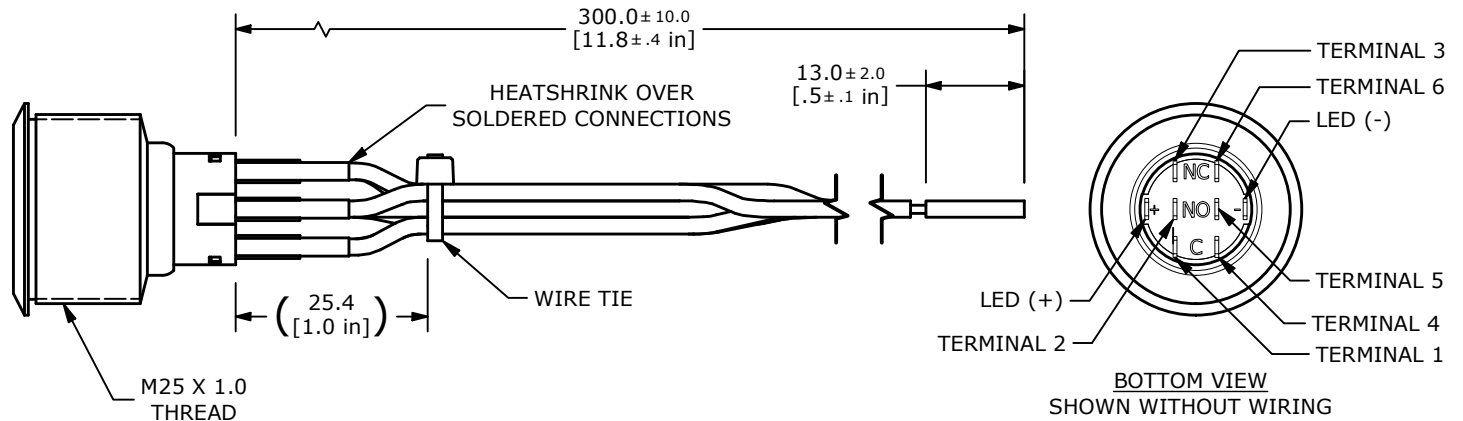
# ULV8 SERIES ANTI-VANDAL SWITCH

## WIRE OPTIONS

W - Wire Leads  
300mm long

SWITCH	WIRE	LENGTH
SW1-1	WIRE, 24AWG AWM UL1015, BLUE	300.0 [11.8 in]
SW1-2	WIRE, 24AWG AWM UL1015, PURPLE	300.0 [11.8 in]
SW1-3	WIRE, 24AWG AWM UL1015, GREEN	300.0 [11.8 in]
SW1-4	WIRE, 24AWG AWM UL1015, WHITE	300.0 [11.8 in]
SW1-5	WIRE, 24AWG AWM UL1015, ORANGE	300.0 [11.8 in]
SW1-6	WIRE, 24AWG AWM UL1015, YELLOW	300.0 [11.8 in]
SW1- (-)	WIRE, 24AWG AWM UL1015, BLACK	300.0 [11.8 in]
SW1- (+)	WIRE, 24AWG AWM UL1015, RED	300.0 [11.8 in]

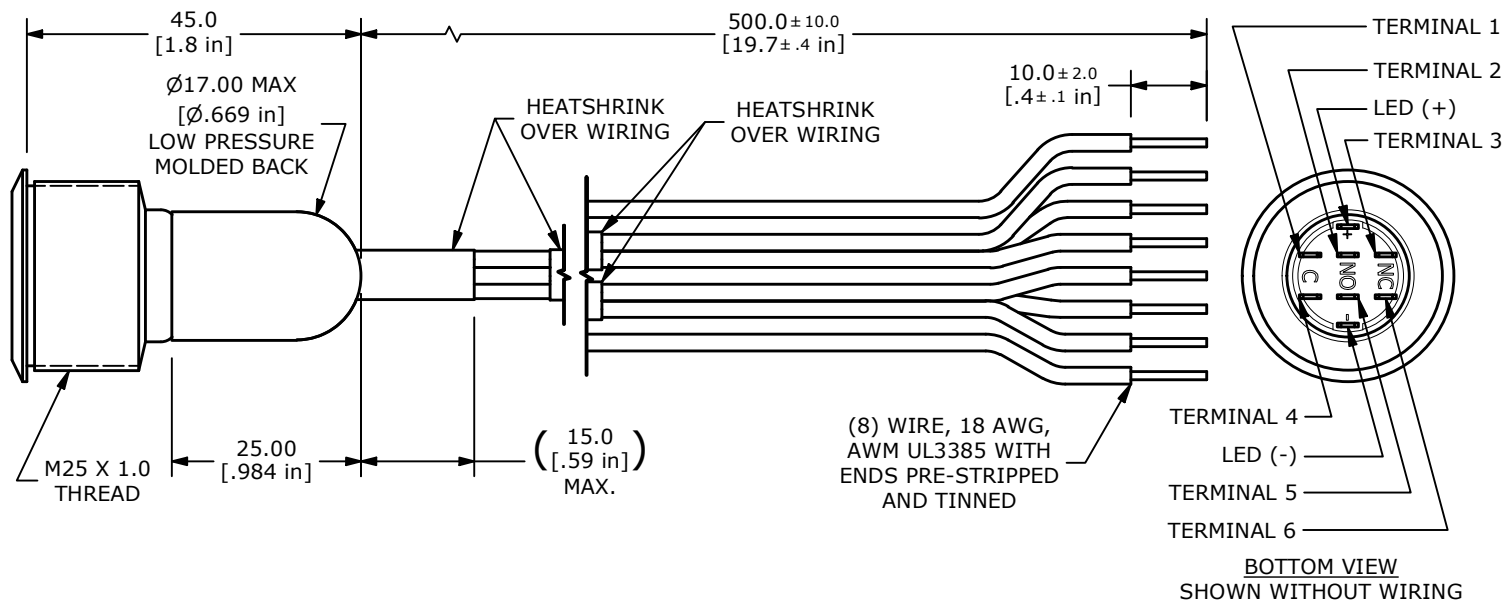
\*\* WIRE LEADS PROVIDED ARE DEPENDENT ON THE FUNCTION SELECTED \*\*



M - Molded Back  
w/ Wire Leads  
500mm long

SWITCH	WIRE	LENGTH
SW1-1	WIRE, 18 AWG AWM UL3385, YELLOW	500.0 [19.7 in]
SW1-2	WIRE, 18 AWG AWM UL3385, PURPLE	500.0 [19.7 in]
SW1-3	WIRE, 18 AWG AWM UL3385, GREEN	500.0 [19.7 in]
SW1-4	WIRE, 18 AWG AWM UL3385, YELLOW	500.0 [19.7 in]
SW1-5	WIRE, 18 AWG AWM UL3385, PURPLE	500.0 [19.7 in]
SW1-6	WIRE, 18 AWG AWM UL3385, GREEN	500.0 [19.7 in]
SW1- (-)	WIRE, 18 AWG AWM UL3385, BLACK	500.0 [19.7 in]
SW1- (+)	WIRE, 18 AWG AWM UL3385, RED	500.0 [19.7 in]

\*\* WIRE LEADS PROVIDED ARE DEPENDENT ON THE FUNCTION SELECTED \*\*



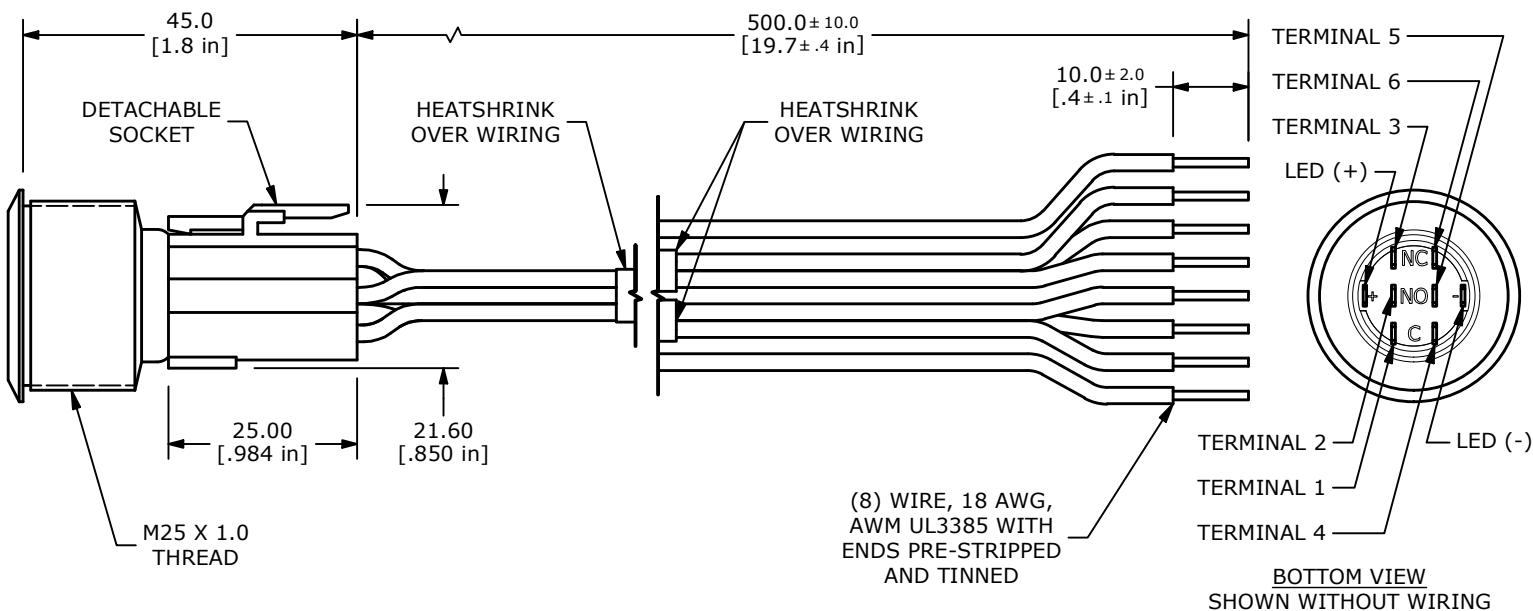
# ULV8 SERIES ANTI-VANDAL SWITCH

## WIRE OPTIONS

P - Detachable Socket  
w/ Wire Leads  
500mm long

SWITCH	WIRE	LENGTH
SW1-1	WIRE, 18 AWG AWM UL3385, GREEN	500.0 [19.7 in]
SW1-2	WIRE, 18 AWG AWM UL3385, PURPLE	500.0 [19.7 in]
SW1-3	WIRE, 18 AWG AWM UL3385, YELLOW	500.0 [19.7 in]
SW1-4	WIRE, 18 AWG AWM UL3385, GREEN	500.0 [19.7 in]
SW1-5	WIRE, 18 AWG AWM UL3385, PURPLE	500.0 [19.7 in]
SW1-6	WIRE, 18 AWG AWM UL3385, YELLOW	500.0 [19.7 in]
SW1- (-)	WIRE, 18 AWG AWM UL3385, BLACK	500.0 [19.7 in]
SW1- (+)	WIRE, 18 AWG AWM UL3385, RED	500.0 [19.7 in]

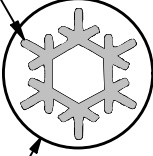
\*\* WIRE LEADS PROVIDED ARE DEPENDENT ON THE FUNCTION SELECTED \*\*



# ULV8 SERIES ANTI-VANDAL SWITCH

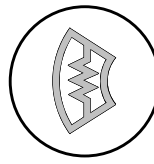
## GRAPHIC OPTIONS

\*\* REFER TO BODY DIMENSION PAGES 2 & 3 FOR GRAPHIC ORIENTATION \*\*

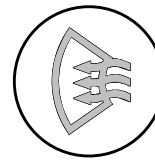
ILLUMINATED  
  
 Ø19.70  
 [Ø.776 in]  
 GRAPHIC WITHOUT  
 BORDER TYP.  
 L01



L02



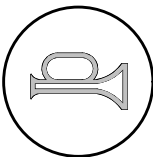
L03



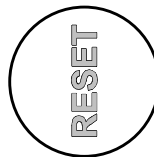
L04



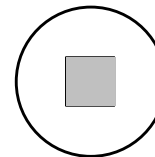
L05



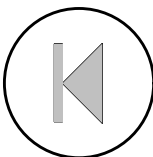
L06



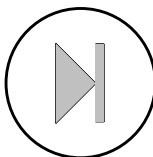
L07



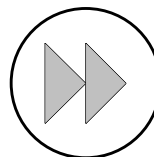
L08



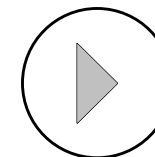
L09



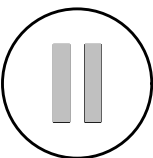
L10



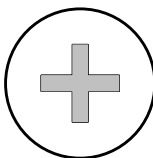
L11



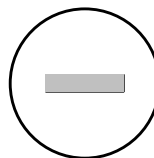
L12



L13



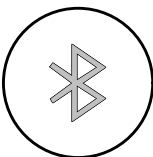
L14



L15



L16



L17



L18



L19



L20



L21



L22



L23



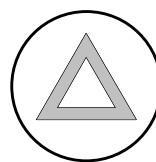
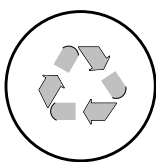
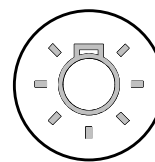
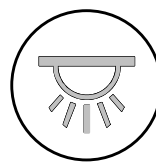
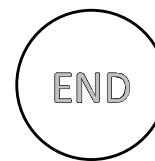
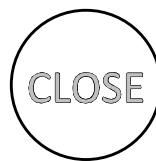
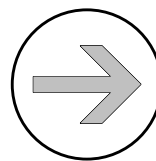
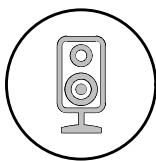
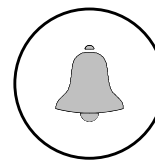
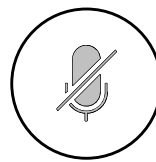
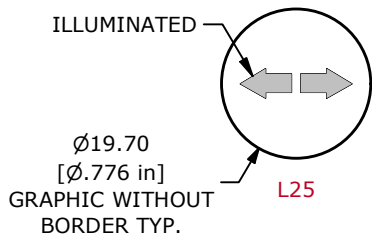
L24



# ULV8 SERIES ANTI-VANDAL SWITCH

## GRAPHIC OPTIONS (CONT.)

\*\* REFER TO BODY DIMENSION PAGES 2 & 3 FOR GRAPHIC ORIENTATION \*\*



ANTI-VANDAL SWITCHES  
DETECTOR SWITCHES  
DIP SWITCHES  
KEYLOCK SWITCHES  
NAVIGATION SWITCHES  
PUSHBUTTON SWITCHES  
ROCKER SWITCHES  
ROTARY SWITCHES  
SLIDE SWITCHES  
SNAP ACTION SWITCHES  
TACTILE SWITCHES  
TOGGLE SWITCHES  
CAP OPTIONS

