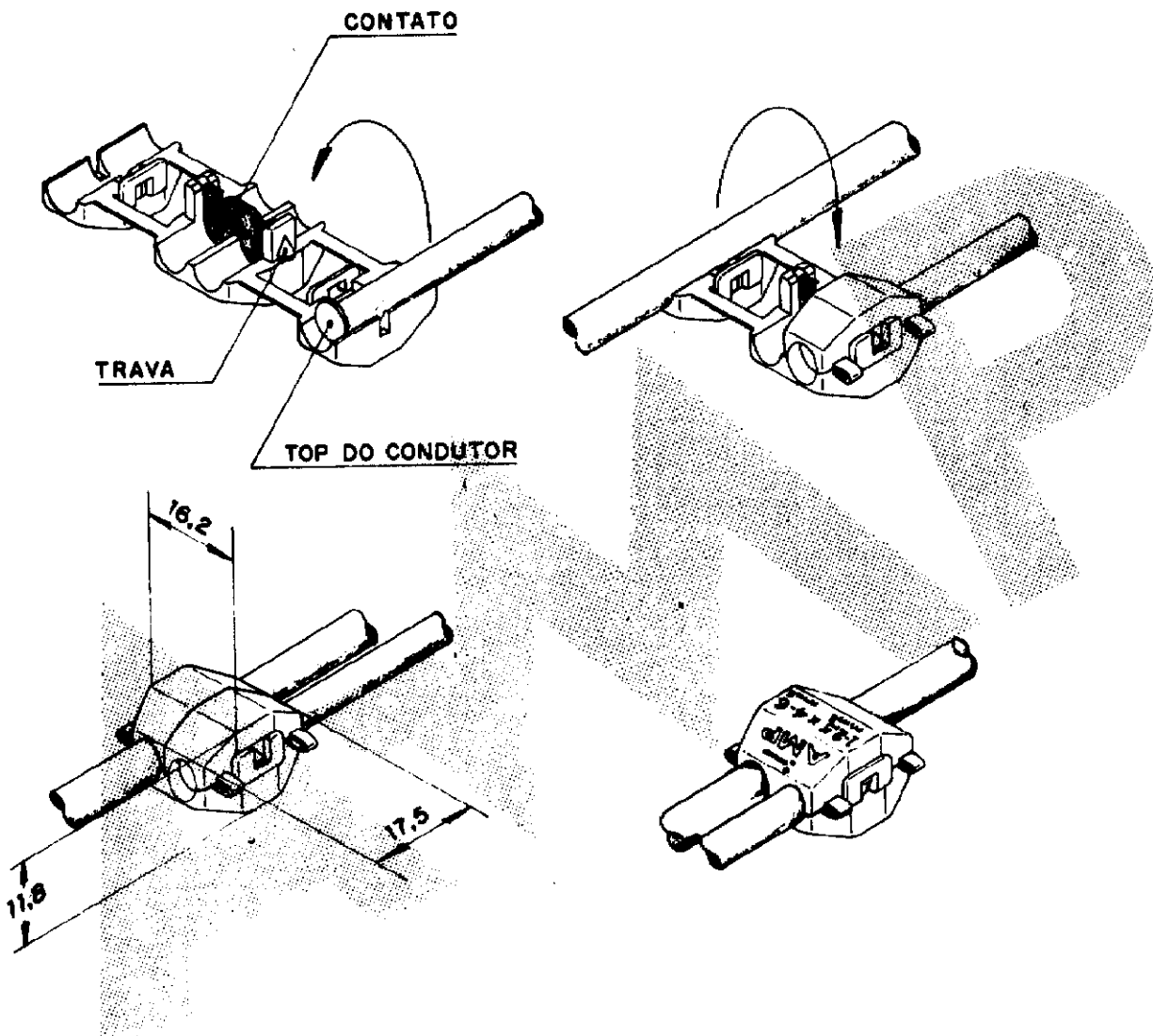


DO NOT SCALE
DIMENSIONS IN MM.

METRIC



PRINC. 4,0-6,0mm ²	5,0mm	PRETO	CONT. LATÃO ESTANHADO	880 458 - 2
DERIV. 1,0-2,5mm ²	5,0mm		ISOL. POLIAMIDA 6.6 C/PROT. U.V.	
PRINCIPAL: 4,0-6,0mm ²	5,0mm	NATURAL	CONTATO LATÃO ESTANHADO	880 458 - 1
DERIVAÇÃO: 1,0-2,5mm ²	5,0mm		ISOLADOR: POLIAMIDA 6.6	
WIRE RANGE	INS. DIA. MAX.	COR	MATERIAL	PART NUMBER

CUSTOMER DWG
for REFERENCE ONLY

THIS DRAWING IS UNPUBLISHED RELEASED FOR PUBLICATION
© COPYRIGHT 1964 BY AMP DO BRASIL LTDA S.P. ALL INTERNATIONAL RIGHTS RESERVED. AMP PRODUCTS MAY BE COVERED BY U.S. AND FOREIGN PATENTS AND/OR PATENTS PENDING.

TOLERANCES UNLESS OTHERWISE STATED
DEC. ±0.5
ANGLES ±1°

INS. DIA. RANGE VER TABELA WIRE RANGE VER TABELA SCALE
AMP AMP do BRASIL LTDA.
São Paulo, Brasil

DR. *[Signature]*
07.01.64
CHK. *[Signature]*
04/04/64

DESCRIPTION
ELECTRO-TAP

C	REVISADO P/ECN 3204	IVA-J	JUN 19 62
B	REVISED BY ECN. 2951	IVAN	FEB 25 62
A	ERA P80-29128	G.M. R.P.L.	4.4.64
188	REVISION RECORD	DR	CHK DATE APP.

DWG NO
A4 C 880458
SHEET 1 of 1