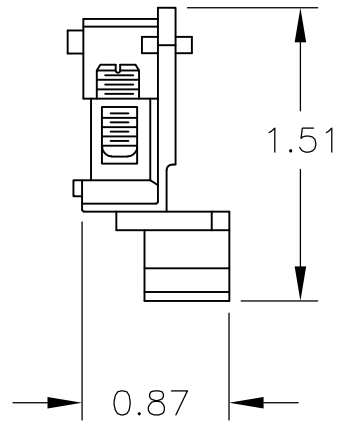
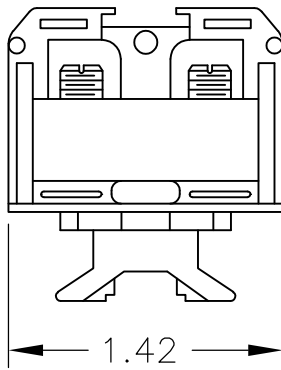


LOC	DIST	REVISIONS					
—	—	P	LTR	DESCRIPTION	DATE	DWN	APVD
			A	REDRAWN PER ECO-08-023052	30SEP08	HMR	SM

1 MATERIAL: NYLON



THIS DRAWING IS UNPUBLISHED.

ALL INTERNATIONAL RIGHTS RESERVED.

© COPYRIGHT BY TYCO ELECTRONICS CORPORATION.

DIMENSIONS: INCHES	DWN	30SEP08	MATERIAL	1	FINISH	—
	CHK	30SEP08	Tyco Electronics Corporation Harrisburg, PA 17105-3608			
TOLERANCES UNLESS OTHERWISE SPECIFIED:	APVD	30SEP08				
0 PLC ± -	PRODUCT SPEC	—	NAME HEAVY DUTY, T.C. NYLON D.B. TERMINAL BLOCK ASS'Y			
1 PLC ± -	APPLICATION SPEC	—	SIZE	CAGE CODE	DRAWING NO	RESTRICTED TO
2 PLC ± -	WEIGHT	—	A4	00779	C-2-1437390-1	—
3 PLC ± -			CUSTOMER DRAWING			SCALE 1:1
4 PLC ± -						SHEET 1 OF 1
ANGLES ± -						REV A

