

- 1
- 2
- 3
- 4
- 5
- 6
- 7
- 8
- 9
- 10
- 11
- 12
- 13
- 14
- 15
- 16
- 17
- 18

MATERIAL

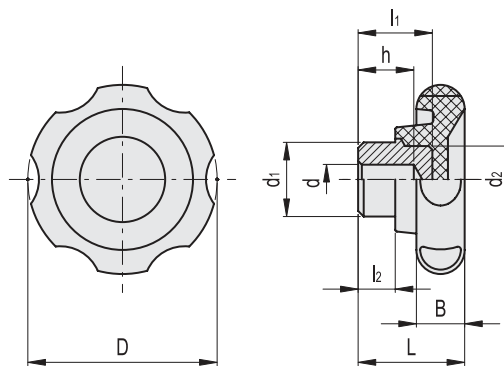
Phenolic based (PF) Duroplast, black colour, glossy finish.

STANDARD EXECUTION

Black-oxide steel hub, pre-drilled blind hole.



ELESA Original design



Conversion Table	
1 mm = 0.039 inch	
D	
mm	inch
51	2.01
61	2.40
69	2.72
82	3.23
99	3.90
129	5.08

Code	Description	D	d-0.1	dH9	L	B	d1	d2	l1	l2	h	⚖
74101	VL.140/50	51	6	-	29	13	20	18	20	10	15	67
74201	VL.140/60	61	6	-	32	16	20	18	20	10	15	87
74301	VL.140/70	69	6	-	36	18	24	20	23	12	15	126
74401	VL.140/80	82	6	-	40	19	24	20	23	12	15	160
74501	VL.140/100	99	-	8	44	20	36	30	31	14	22	325
74601	VL.140/130	129	-	8	47	22	40	40	30	13	20	500

Clamping knobs