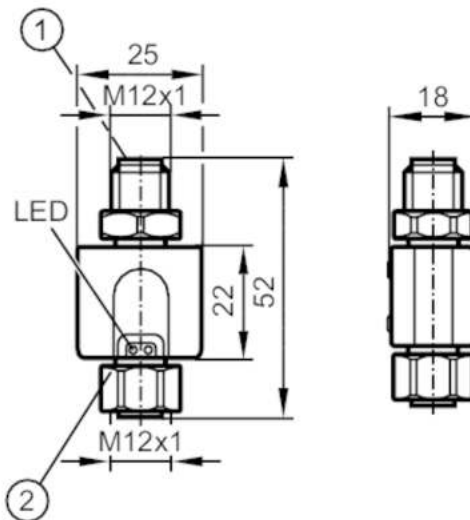


TP3231



Evaluation unit for PT100/PT1000 temperature sensors

TP- CEC -A-ZVG/US/



- 1 connection for voltage supply and output signals
2 connection for temperature sensor



Product characteristics

Number of inputs and outputs	Number of analogue outputs: 1	
Measuring range	-50...300 °C	-58...572 °F

Application

Special feature	Gold-plated contacts
Application	for Pt100 and Pt1000 measuring elements

Electrical data

Operating voltage	[V]	20...32 DC
Protection class		III
Reverse polarity protection		yes
Power-on delay time	[s]	1
Integrated watchdog		yes

Inputs / outputs

Number of inputs and outputs	Number of analogue outputs: 1
------------------------------	-------------------------------

Outputs

Total number of outputs	1
Output signal	analogue signal; IO-Link; (configurable)
Number of analogue outputs	1
Analogue current output	[mA] 4...20
Max. load	[Ω] 300
Short-circuit protection	yes
Type of short-circuit protection	pulsed
Overload protection	yes

Measuring/setting range


Measuring range	-50...300 °C	-58...572 °F
Factory setting	-50...150 °C	

TP3231



Evaluation unit for PT100/PT1000 temperature sensors

TP- CEC -A-ZVG/US/

Accuracy / deviations	
Precision analogue output [K]	$\pm 0,3 + (\pm 0,1 \% \text{ MS})$
Temperature coefficient [% of the span / 10 K]	0,1
Response times	
Max. measuring/display cycle [ms]	100
Interfaces	
Communication interface	IO-Link
Transmission type	COM2 (38,4 kBaud)
IO-Link revision	1.0
Operating conditions	
Ambient temperature [°C]	-25...70
Storage temperature [°C]	-40...85
Protection	IP 67
Tests / approvals	
EMC	EN 61326-1
Shock resistance	DIN IEC 68-2-27 50 g (11 ms)
Vibration resistance	DIN IEC 68-2-6 20 g (10...2000 Hz)
MTTF [years]	449
Mechanical data	
Weight [g]	40
Dimensions [mm]	M12 x 1
Thread designation	M12 x 1
Materials	PA; PET
Sealing material	FKM
Remarks	
Remarks	operating voltage "supply class 2" according to cULus MS = set measuring span
Pack quantity	1 pcs.
Electrical connection	
Connector: 1 x M12; coding: A; Moulded body: TPU; Locking: stainless steel (1.4404 / 316L); Sealing: FKM; Contacts: gold-plated	
	

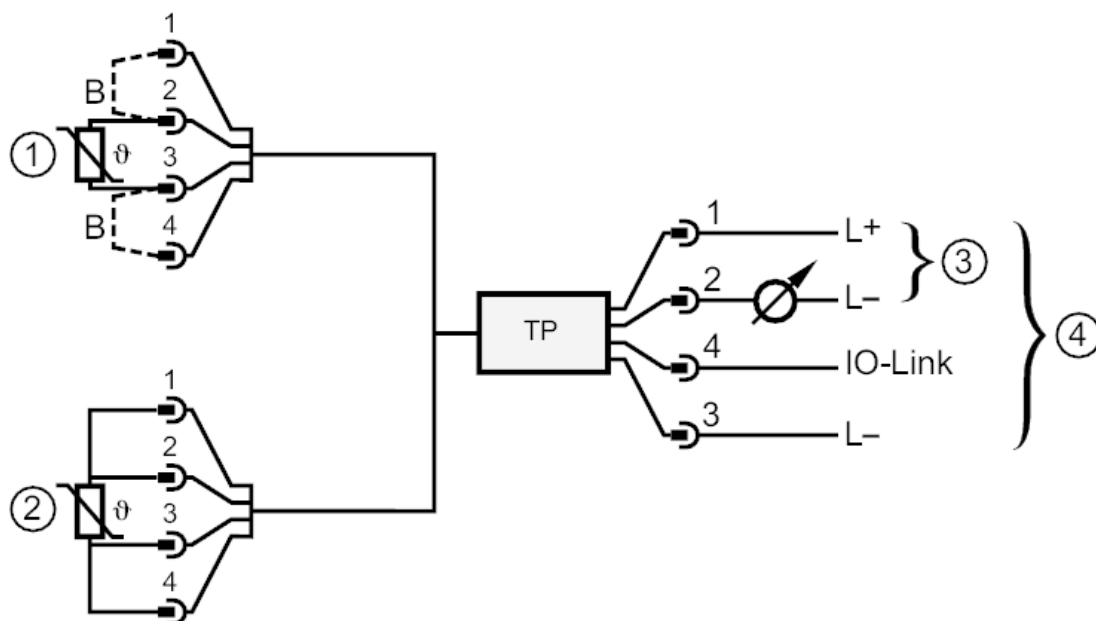
TP3231



Evaluation unit for PT100/PT1000 temperature sensors

TP- CEC -A-ZVG/US/

Connection



- 1: two-wire sensor
- 2: four-wire sensor
- 3: operation as 2-wire temperature transmitter
- 4: operation as 3-wire unit, IO-Link communication possible
- B: link