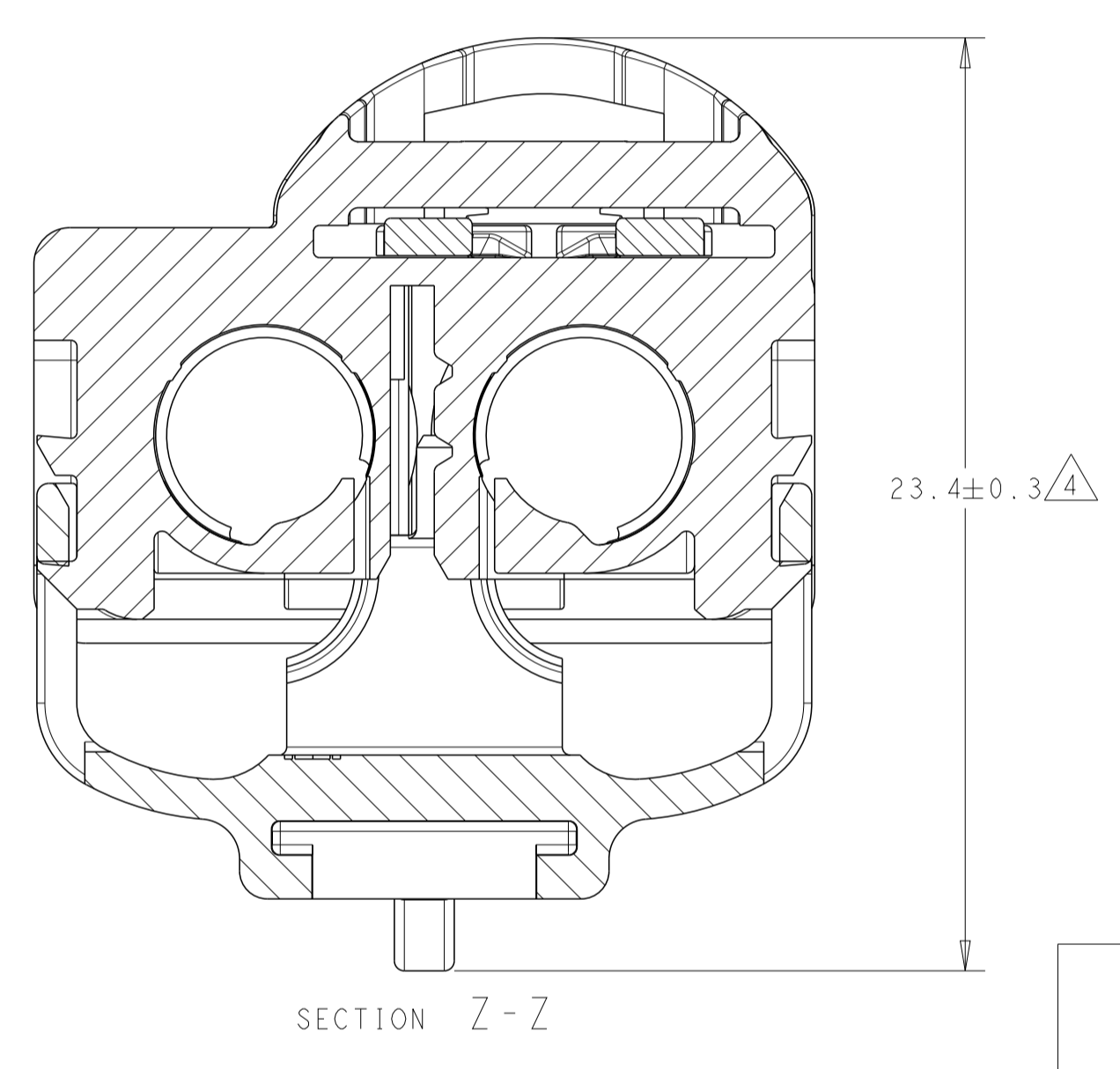
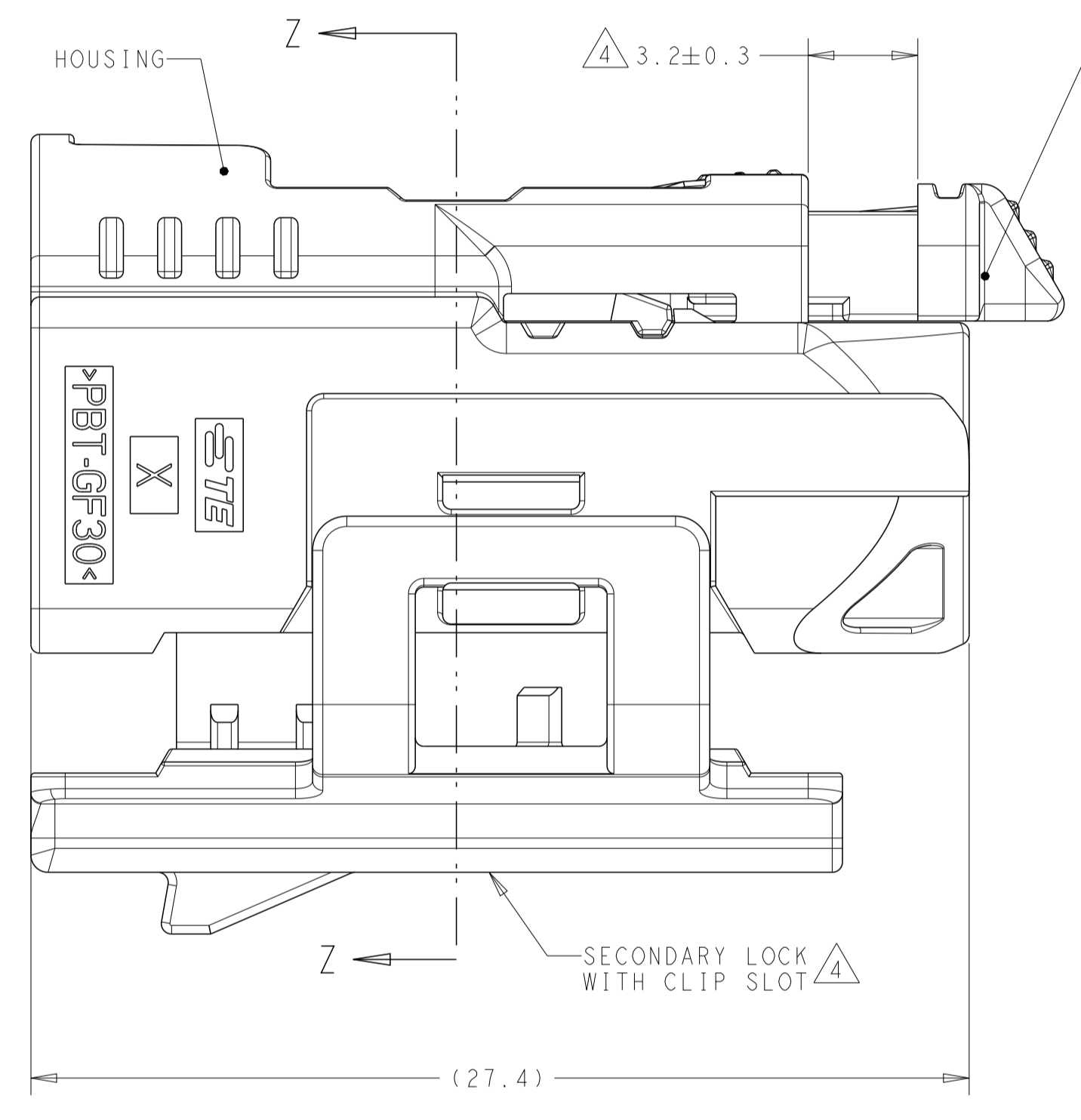
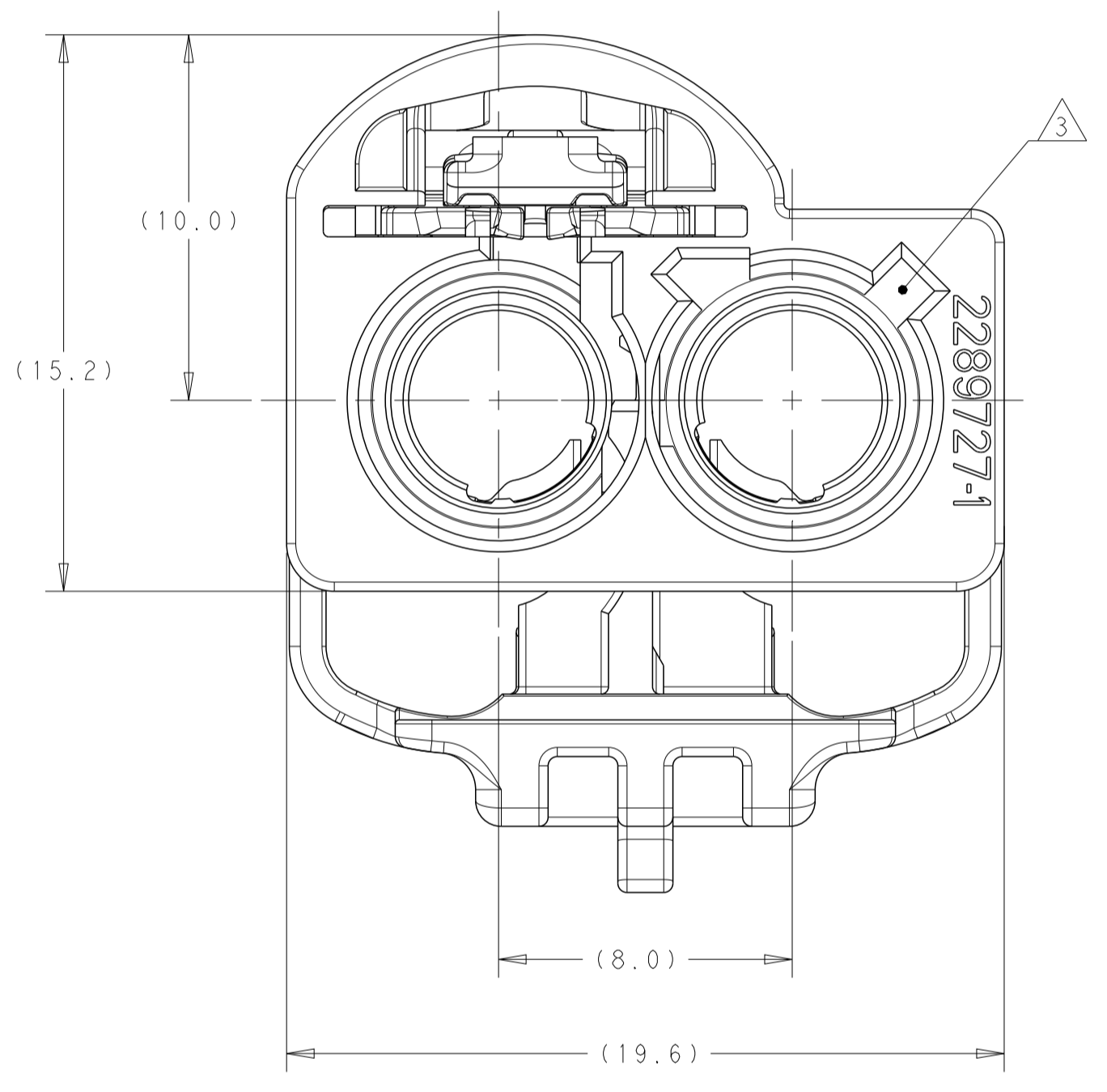
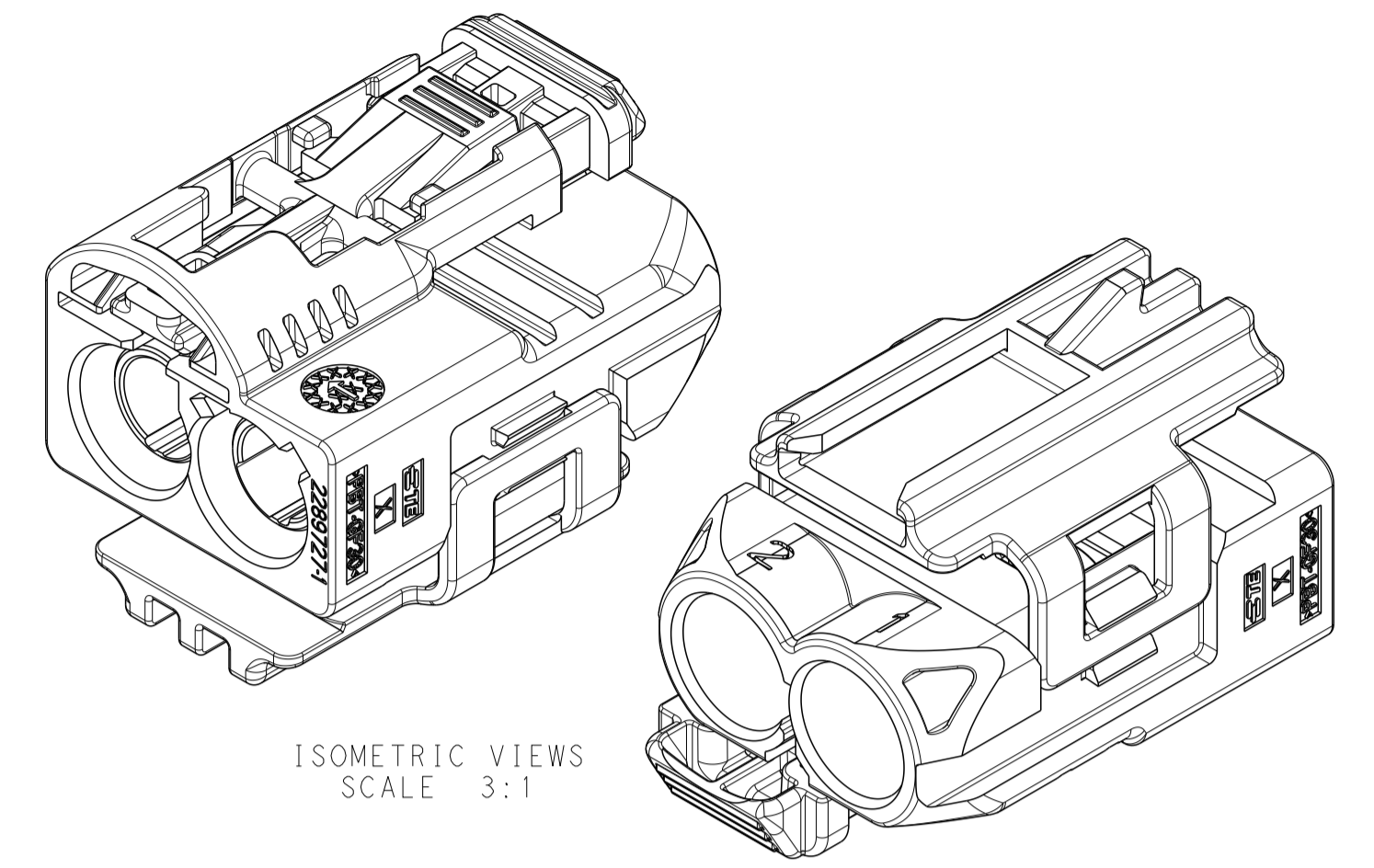
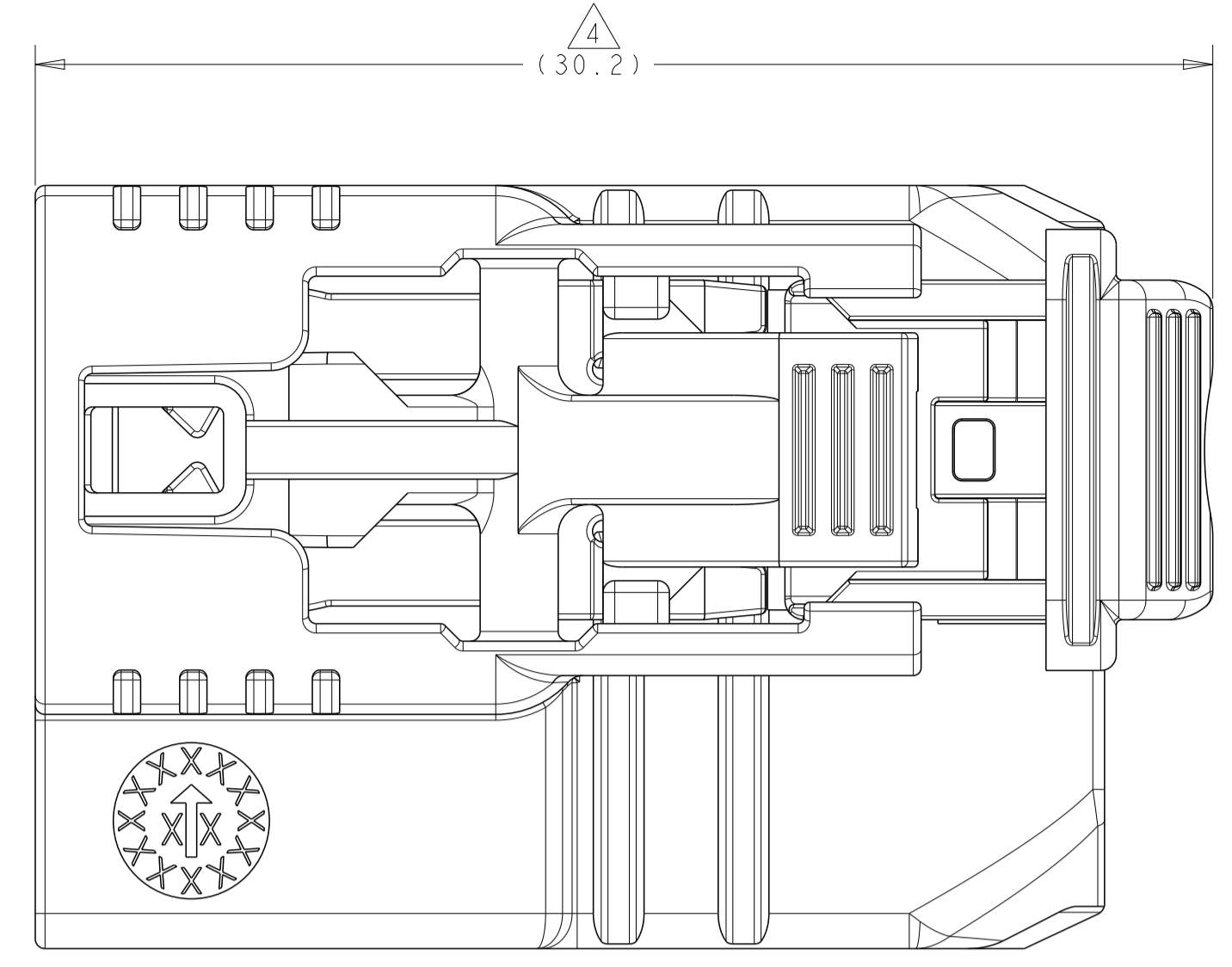
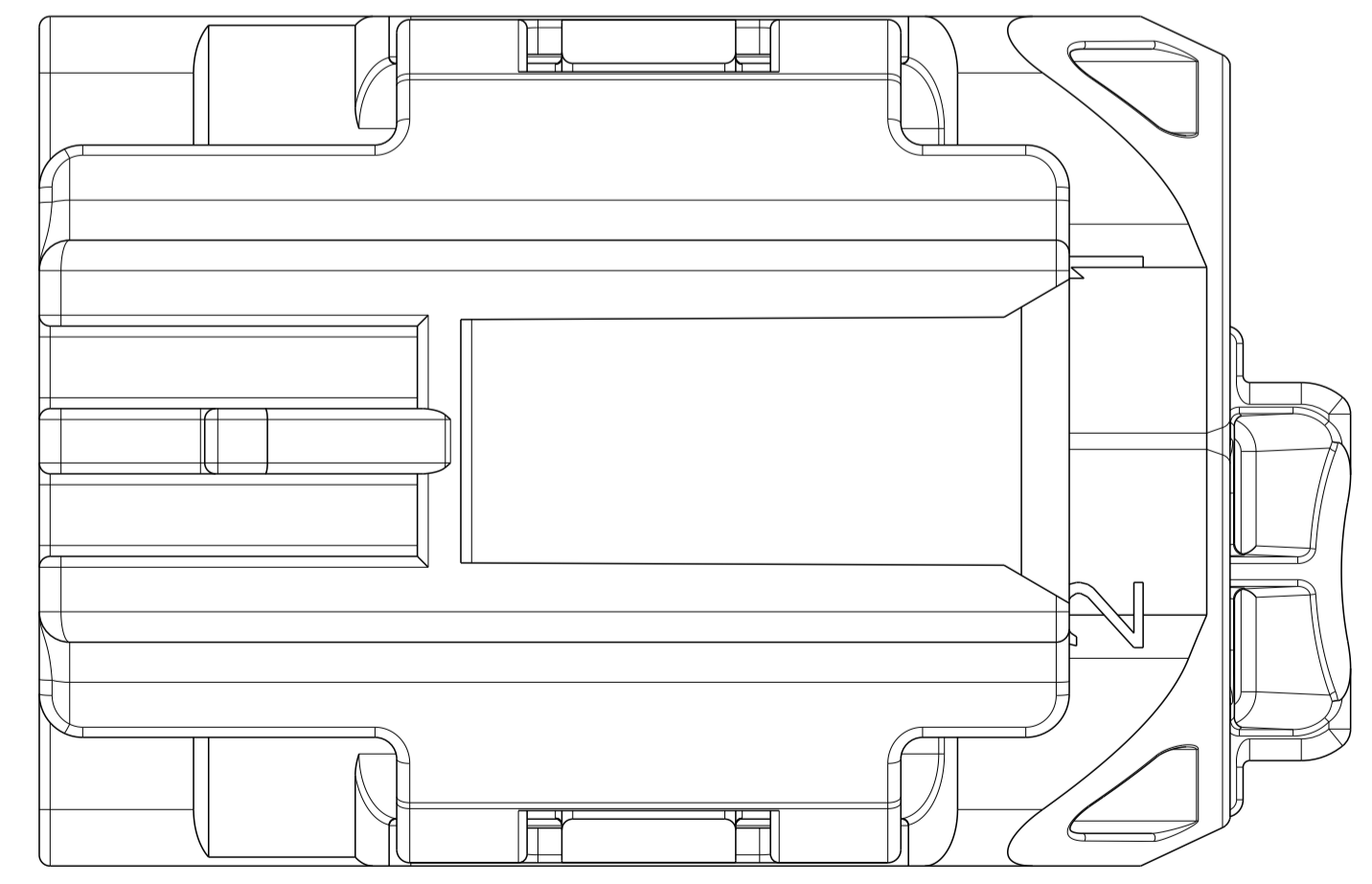


REVISIONS				
P	LTN	DESCRIPTION	DATE	OWN - APVD
A		RELEASED PER ECO-19-002122	11FEB2019	NLE JWH



2289732-1 AS SHOWN



WITHOUT CPA	WITH CPA	2203275 (SOLD SEPARATELY) SEE SHEET 2	Z	PER DETAIL Z	WATER BLUE	4-2289732-0
			N	PER DETAIL N	PASTEL GREEN	3-2289732-3
			M	PER DETAIL M	PASTEL ORANGE	3-2289732-2
			L	PER DETAIL L	CARMINE RED	3-2289732-1
			K	PER DETAIL K	CURRY	3-2289732-0
			I	PER DETAIL I	BEIGE	2-2289732-9
			H	PER DETAIL H	HEATHER VIOLET	2-2289732-8
			G	PER DETAIL G	BLUE GREY	2-2289732-7
			F	PER DETAIL F	NUT BROWN	2-2289732-6
			E	PER DETAIL E	LEAF GREEN	2-2289732-5
			D	PER DETAIL D	CLARET VIOLET	2-2289732-4
			C	PER DETAIL C	SIGNAL BLUE	2-2289732-3
			B	PER DETAIL B	CREAM	2-2289732-2
			A	PER DETAIL A	JET BLACK	2-2289732-1
			Z	PER DETAIL Z	WATER BLUE	2-2289732-0
			N	PER DETAIL N	PASTEL GREEN	1-2289732-3
			M	PER DETAIL M	PASTEL ORANGE	1-2289732-2
			L	PER DETAIL L	CARMINE RED	1-2289732-1
			K	PER DETAIL K	CURRY	1-2289732-0
			I	PER DETAIL I	BEIGE	2289732-9
			H	PER DETAIL H	HEATHER VIOLET	2289732-8
			G	PER DETAIL G	BLUE GREY	2289732-7
			F	PER DETAIL F	NUT BROWN	2289732-6
			E	PER DETAIL E	LEAF GREEN	2289732-5
			D	PER DETAIL D	CLARET VIOLET	2289732-4
			C	PER DETAIL C	SIGNAL BLUE	2289732-3
			B	PER DETAIL B	CREAM	2289732-2
			A	PER DETAIL A	JET BLACK	2289732-1

- 1 HOUSING - POLYESTER PBT, COLOR: SEE TABLE, GLASS FILLED  
 CPA - POLYESTER PBT, COLOR TRAFFIC RED, GLASS FILLED  
 SECONDARY LOCK - POLYESTER PBT, WATER BLUE, GLASS FILLED
- 2 CABLE ASSEMBLY: SEE TABLE.
- 3 FEMALE INTERFACE PER ISO-20860-1, ISO-20860-2, SAE/USCAR-17, SAE/USCAR-18.
- 4 SECONDARY LOCK AND CPA IN PRESET POSITION. IF SECONDARY LOCK IS IN FULLY LOCKED POSITION, SEE 408-162008 FOR INSTRUCTIONS TO RESET SECONDARY LOCK TO PRESET POSITION.

THIS DRAWING IS A CONTROLLED DOCUMENT.

OWN	D. J. HARDY	14APR2015
CHK	D. J. LANE	14APR2015
APVD	D. J. LANE	14APR2015

TE Connectivity

NAME: FEMALE KIT, CPA, CLIP SLOT, 2 POSITION, FAKRA AUTOMATED

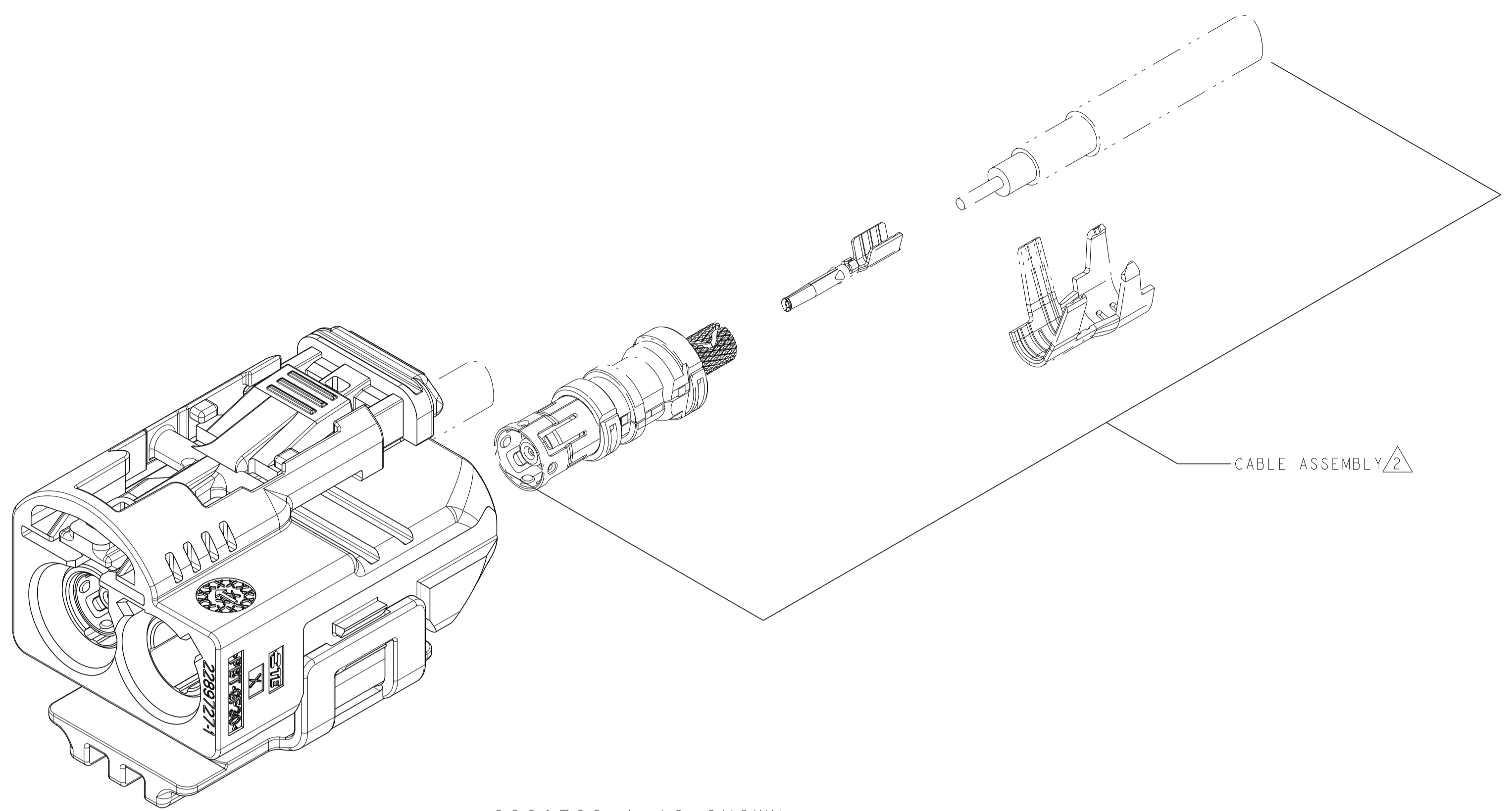
PRODUCT SPEC: 108-32137

APPLICATION SPEC: 114-32145

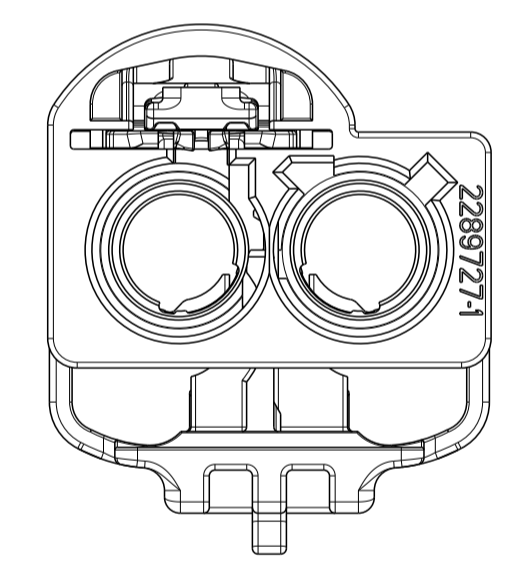
SIZE: A1 CAGE CODE: - DRAWING NO: - RESTRICTED TO: -

SCALE: 6:1 SHEET 1 OF 2 REV A

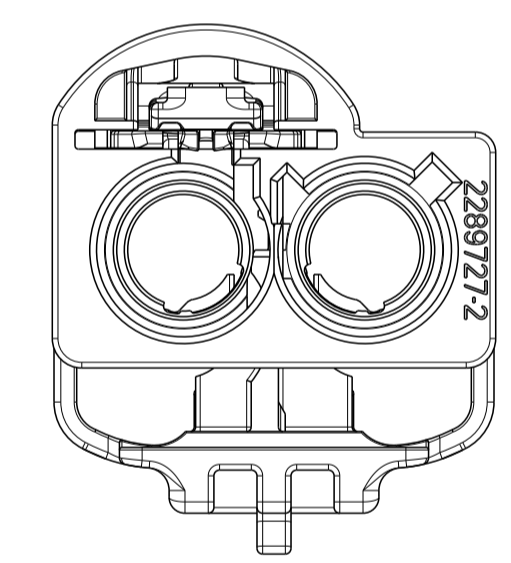
REVISIONS				
P.	LTN	DESCRIPTION	DATE	APVD
-		SEE SHEET 1	-	-



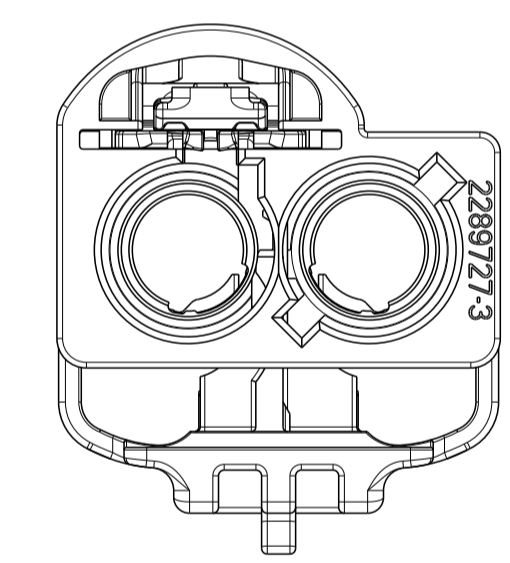
2289732-1 AS SHOWN  
 SCALE 4:1



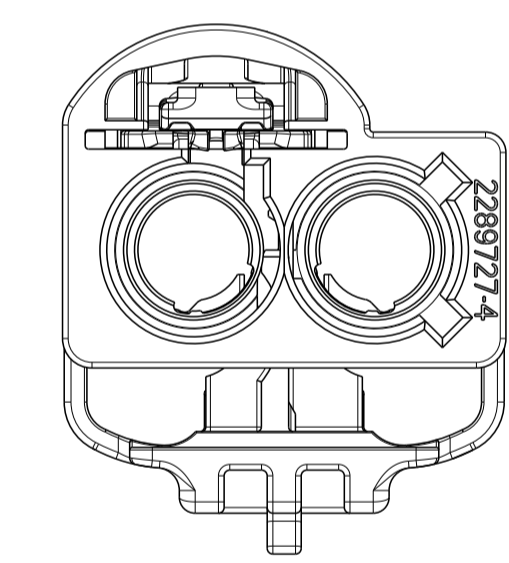
DETAIL A  
 SCALE 3:1



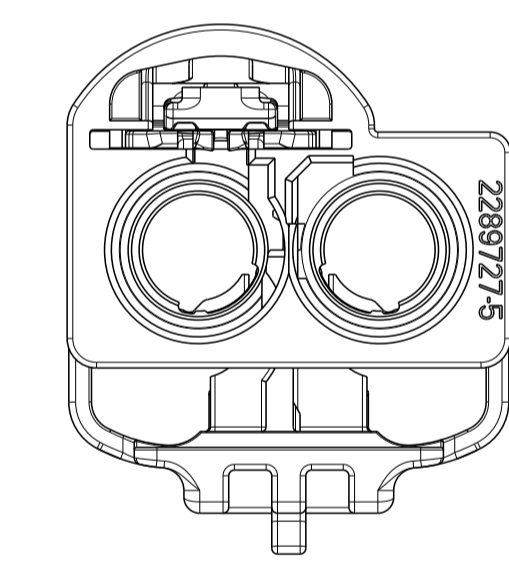
DETAIL B  
 SCALE 3:1



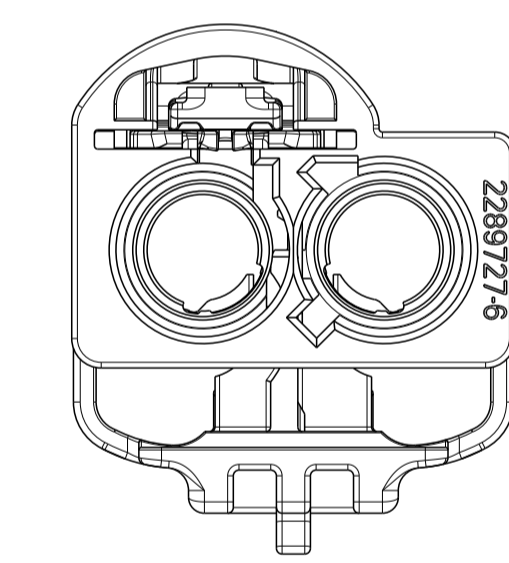
DETAIL C  
 SCALE 3:1



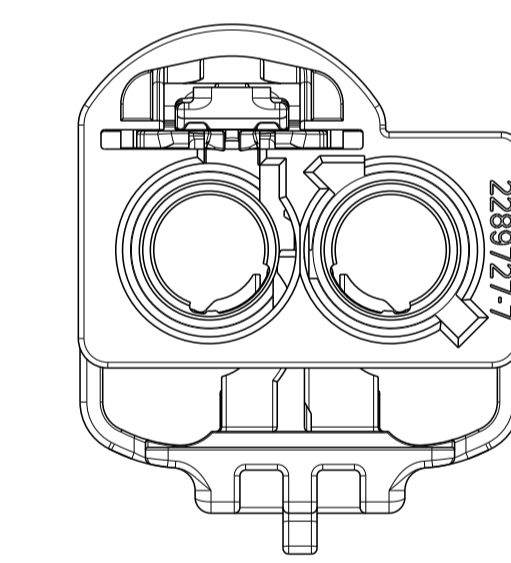
DETAIL D  
 SCALE 3:1



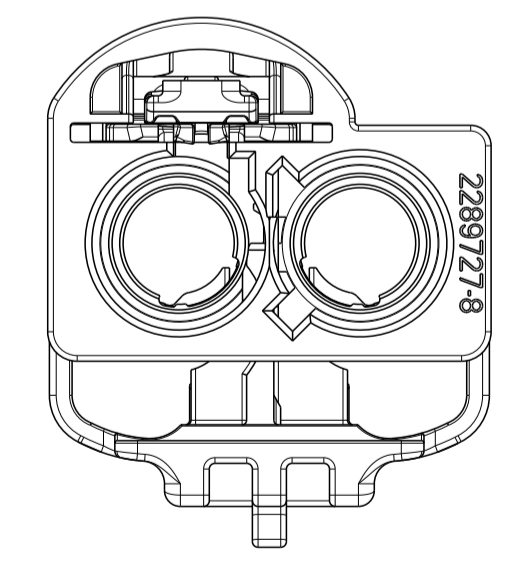
DETAIL E  
 SCALE 3:1



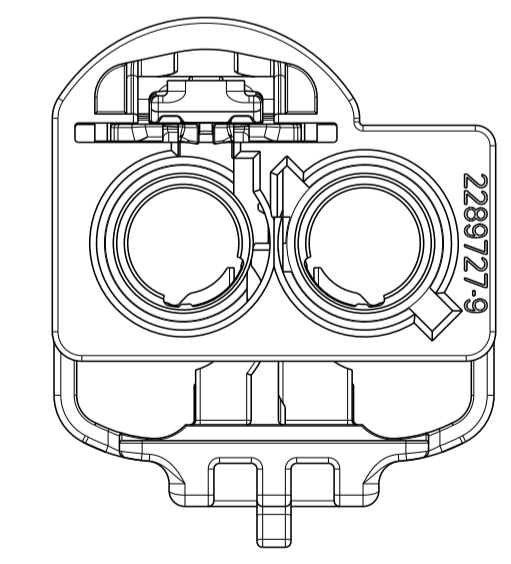
DETAIL F  
 SCALE 3:1



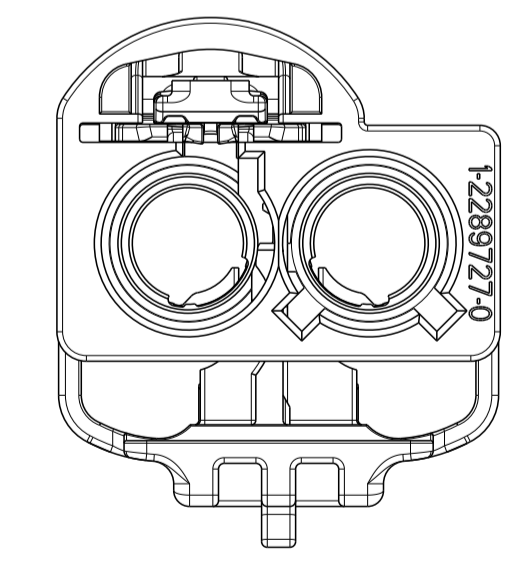
DETAIL G  
 SCALE 3:1



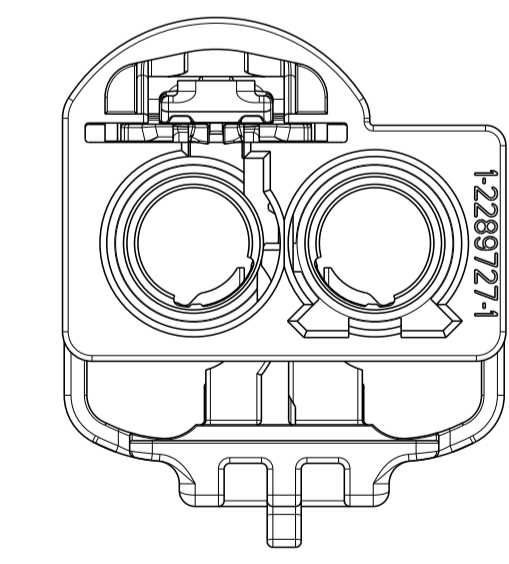
DETAIL H  
 SCALE 3:1



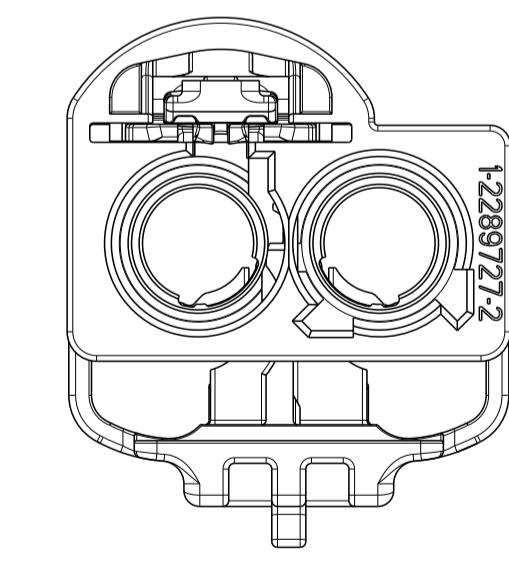
DETAIL I  
 SCALE 3:1



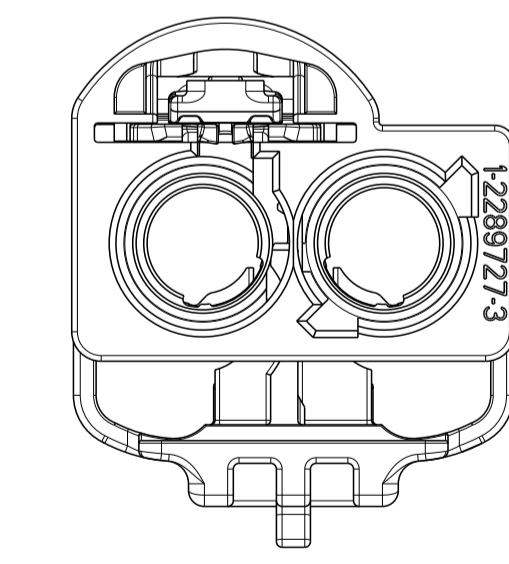
DETAIL K  
 SCALE 3:1



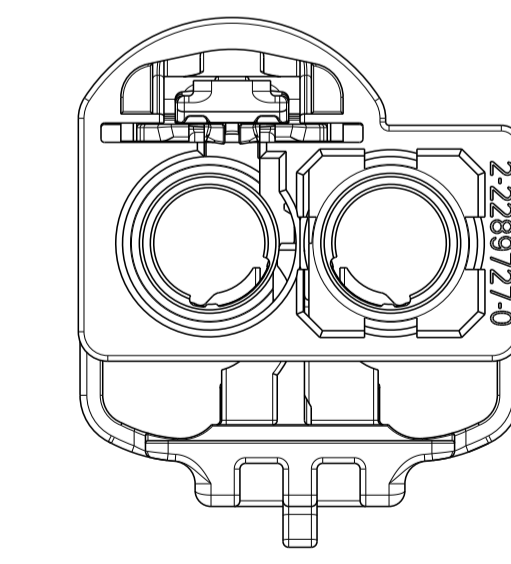
DETAIL L  
 SCALE 3:1



DETAIL M  
 SCALE 3:1



DETAIL N  
 SCALE 3:1



DETAIL Z  
 SCALE 3:1

THIS DRAWING IS A CONTROLLED DOCUMENT.		OWN: D. J. HARDY 14APR2015	
DIMENSIONS:		CHK: D. J. LANE 14APR2015	
TOLERANCES UNLESS OTHERWISE SPECIFIED:		APVD: D. J. LANE 14APR2015	
MATERIAL:		NAME: FEMALE KIT, CPA, CLIP SLOT, 2 POSITION, FAKRA AUTOMATED	
mm:	0 PLC ±	PRODUCT SPEC: 108-32137	RESTRICTED TO:
	1 PLC ±	APPLICATION SPEC: 114-32145	SIZE: A1
	2 PLC ±	WEIGHT: -	CAGE CODE: -
	3 PLC ±	CUSTOMER DRAWING	DRAWING NO: C=2289732
	4 PLC ±	SCALE: 6:1	SHEET: 2 OF 2
	ANGLES ±		REV: A
	FINISH ±		