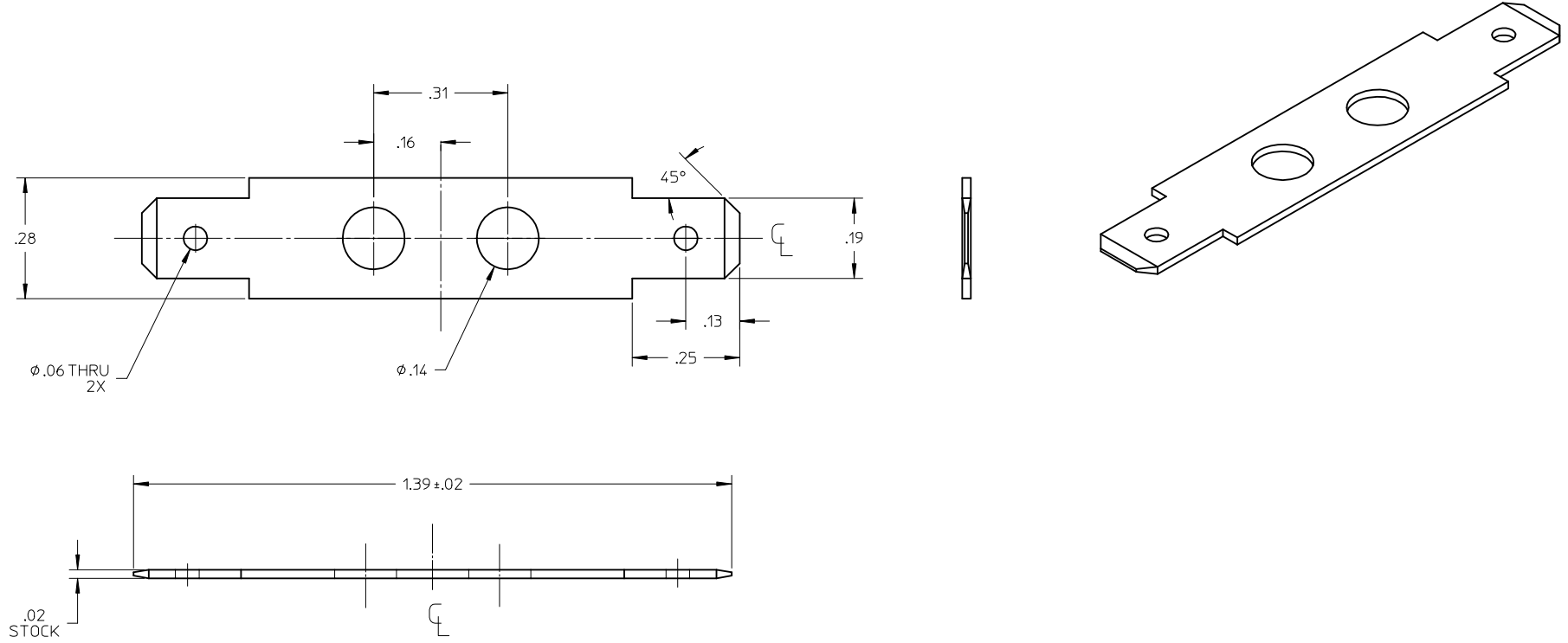


10	9	8	7	6	5	4	3	2	1
MATERIAL NO.	ENGINEERING NO.	DESCRIPTION	MATERIAL	FINISH					
380020163	1410	TERMINAL, FT FLFL	BRASS	TIN OVER COPPER PLATED					



<b>RELEASED</b> EC NO: IPG2016-0008 DRWN: SVMURTHY 2015/06/30 CHKD: RSTONE 2015/06/30 APPR: JFMURPHY 2016/07/11	QUALITY SYMBOLS $\nabla F=0$ $\nabla E=0$ $\nabla F=0$	GENERAL TOLERANCES (UNLESS SPECIFIED) <table border="1"> <thead> <tr> <th></th> <th>mm</th> <th>INCH</th> </tr> </thead> <tbody> <tr> <td>4 PLACES</td> <td>± .005</td> <td>± .0005</td> </tr> <tr> <td>3 PLACES</td> <td>± .005</td> <td>± .0005</td> </tr> <tr> <td>2 PLACES</td> <td>± 0.13</td> <td>± .01</td> </tr> <tr> <td>1 PLACE</td> <td>± 0.3</td> <td>± .01</td> </tr> <tr> <td>0 PLACE</td> <td>± .005</td> <td>± .0005</td> </tr> </tbody> </table>		mm	INCH	4 PLACES	± .005	± .0005	3 PLACES	± .005	± .0005	2 PLACES	± 0.13	± .01	1 PLACE	± 0.3	± .01	0 PLACE	± .005	± .0005	DIMENSION STYLE <b>INCH ONLY</b> DRAWN BY: SVMURTHY DATE: 2015/06/30 CHECKED BY: RSTONE DATE: 2015/06/30 APPROVED BY: JFMURPHY DATE: 2016/07/11	SCALE <b>4:1</b> DESIGN UNITS <b>INCH</b> THIRD ANGLE PROJECTION	TITLE <b>TERMINAL, FT FLFL</b>
		mm	INCH																				
	4 PLACES	± .005	± .0005																				
	3 PLACES	± .005	± .0005																				
2 PLACES	± 0.13	± .01																					
1 PLACE	± 0.3	± .01																					
0 PLACE	± .005	± .0005																					
MATERIAL NO. <b>SEE CHART</b>	DOCUMENT NO. <b>SD-38002-0163</b>	SHEET NO. <b>1 OF 1</b>																					
ANGULAR ± 2 ° DRAFT WHERE APPLICABLE MUST REMAIN WITHIN DIMENSIONS			THIS DRAWING CONTAINS INFORMATION THAT IS PROPRIETARY TO MOLEX INCORPORATED AND SHOULD NOT BE USED WITHOUT WRITTEN PERMISSION																				
SIZE <b>B</b>																							