

MATERIAL NUMBER LEGEND

389 XX X X XX

INSULATOR STYLE

69- NO MOUNTING ENDS

NO. OF CIRCUITS

(02 - 15)

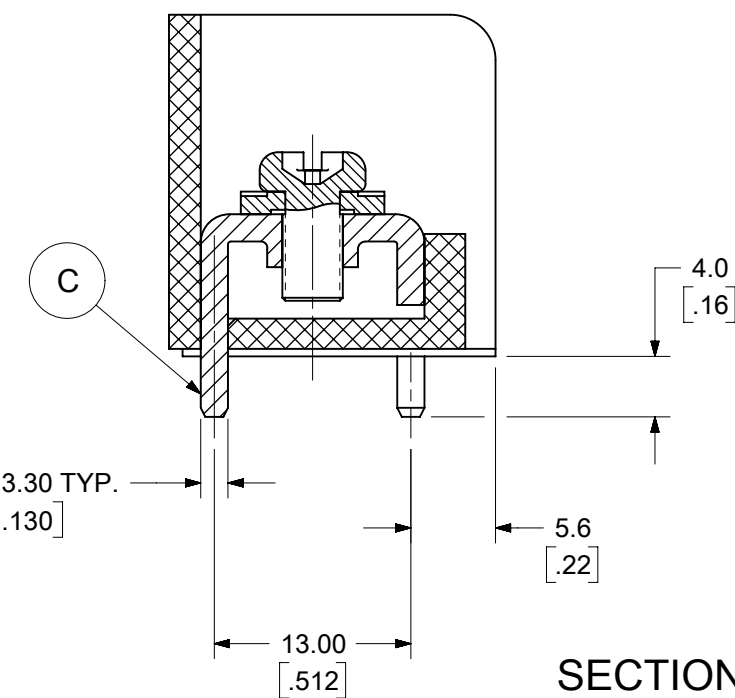
TERMINAL STYLE

0 - PC TAILS

SCREW STYLE

0 - M4 WITH SQUARE WASHER,
STEEL, NICKEL PLATED

TERM. STYLE 0 - PC TAILS



SECTION A-A

NOTES:

1. MATERIAL:
 - (A). SCREW: SEE LEGEND
 - (B). INSULATOR: PBT, UL94V-0
 - (C). TERMINAL: BRASS, TIN PLATED
2. NUMBER OF CIRCUIT POSITIONS AVAILABLE: 2 THROUGH 15
3. ELECTRICAL RATINGS:
 - (A). MAXIMUM VOLTAGE: 600V
 - (B). MAXIMUM CURRENT: 50A
 - (C). INSULATION RESISTANCE: 500MΩ PER MINUTE
 - (D). DIELECTRIC WITHSTAND VOLTAGE: 2200V AC
4. WIRE RANGE: 8 TO 20 AWG (SOLID OR STRANDED COPPER)
5. RECOMMENDED WIRE STRIP LENGTH: 0.32 IN. (8mm)
6. SCREW TORQUE: 16 LBF. IN. (1.8Nm)
7. OPERATING TEMPERATURE: -40°C TO +120°C

THIS DRAWING CONTAINS INFORMATION THAT IS PROPRIETARY TO MOLEX ELECTRONIC TECHNOLOGIES, LLC AND SHOULD NOT BE USED WITHOUT WRITTEN PERMISSION									
SYMBOLS		DIMENSION UNITS		SCALE		CURRENT REV DESC: UPDATED NOTES SECTION			
▽ = 0	MM/INCH	2:1		EC NO: 632901					
▽ = 0	GENERAL TOLERANCES (UNLESS SPECIFIED)			DRWN: ABENJAMINLW 2020/01/14					
▽ = 0	4 PLACES ±	MM	INCH	CHK'D: DACHAMMER 2020/02/25					
▽ = 0	3 PLACES ±	---	---	APPR: JFMURPHY 2020/03/09					
▽ = 0	2 PLACES ±	0.13	0.01	INITIAL REVISION:					
▽ = 0	1 PLACE ±	0.3	---	DRWN: CLYORK 2006/11/22					
▽ = 0	0 PLACES ±	---	---	APPR: JMACNEIL 2006/12/01					
▽ = 0	ANGULAR TOL ± 2°			THIRD ANGLE PROJECTION		DRAWING		SERIES	
▽ = 0	DRAFT WHERE APPLICABLE MUST REMAIN WITHIN DIMENSIONS			B-SIZE		38969		MATERIAL NUMBER	
DOCUMENT STATUS		P1		RELEASE DATE		2020/03/09		17:51:51	
SEE LEGEND		GENERAL MARKET		CUSTOMER		SD-38969-001		PSD 001 E	
1 OF 2		SHEET NUMBER		1 OF 2		1 OF 2		1 OF 2	

