

L+TOL.- SEE PART LIST

(100)

31

38 ±1

10 ±1

∅6.5

6-7

2

8

1

LOGO BRAD

SHIELD CUT OFF FLUSH WITH JACKET

M12x1

5

PIN 1

3

PIN 4

45°

PIN 2

4

PIN 3

VIEW FROM THE FRONT SIDE

CABLE:	
TEMPERATURE RATING (STORAGE)	-40 / +80°C
TEMPERATURE RATING (OPERATION)	-20 / +50°C
WELD SLAG RESISTANCE	YES, S-300 MOLEX TEST
FREE SUBSTANCE'S	FCKW, SILICONE, AND PB
FIRE PERFORMANCE	IEC60332-1, UL1581
OIL RESISTANCE	ISO6722, UL758/2556

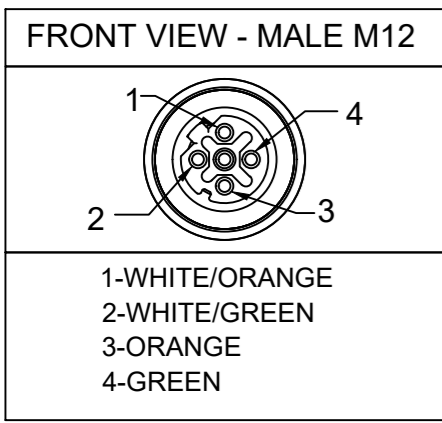
PART LIST

PART NO	ENGINEERING NO	L+TOL [mm]
1201089159	E10A00716M010	1000+56
1201088538	E10A00716M020	2000+89
1201088788	E10A00716M030	3000+89
1201088539	E10A00716M050	5000+165
1201088540	E10A00716M100	10000+317
1201088541	E10A00716M200	20000+622

NOTES:
 ELECTRICAL DATA:
 VOLTAGE RATING: 125V (A1)
 AMPERAGE RATING: 1.5A
 INSULATION RESISTANCE: 10⁸ Ω MIN.
 MATING CYCLES: MIN. 100

ENVIRONMENTAL:
 PROTECTION: IP67 in mated and locked position.

SYMBOLS	THIS DRAWING CONTAINS INFORMATION THAT IS PROPRIETARY TO MOLEX ELECTRONIC TECHNOLOGIES, LLC AND SHOULD NOT BE USED WITHOUT WRITTEN PERMISSION	SCALE		CURRENT REV DESC: UPDATED VOLTAGE & CURRENT RATINGS	molex	
	∇ = 0	DIMENSION UNITS	2:1			
	∇ = 0	GENERAL TOLERANCES (UNLESS SPECIFIED)				
	∇ = 0	ANGULAR TOL ± °				
∇ = 0	4 PLACES ±	EC NO: 746321		2023/04/17	CSE M12 ETH 4P DC MA RA WSOR XM SE SHLD BK BRA AU	
∇ = 0	3 PLACES ±	DRWN: VHANDI		2023/04/18		
∇ = 0	2 PLACES ± 0.05	CHK'D: RSILLER		2023/04/18		
∇ = 0	1 PLACE ± 0.3	APPR: RSILLER		2023/04/18	PRODUCT CUSTOMER DRAWING	
∇ = 0	0 PLACES ± 0.5	INITIAL REVISION:		DOCUMENT NUMBER	DOC TYPE	
☒ = 0	DRAFT WHERE APPLICABLE MUST REMAIN WITHIN DIMENSIONS	THIRD ANGLE PROJECTION	DRAWING	SERIES	MATERIAL NUMBER	CUSTOMER
∇ = 0		☉	A3-SIZE	120108	1201088539	PSD 000 A1
					SEE PART LIST	GENERAL MARKET
						SHEET NUMBER
						1 OF 2

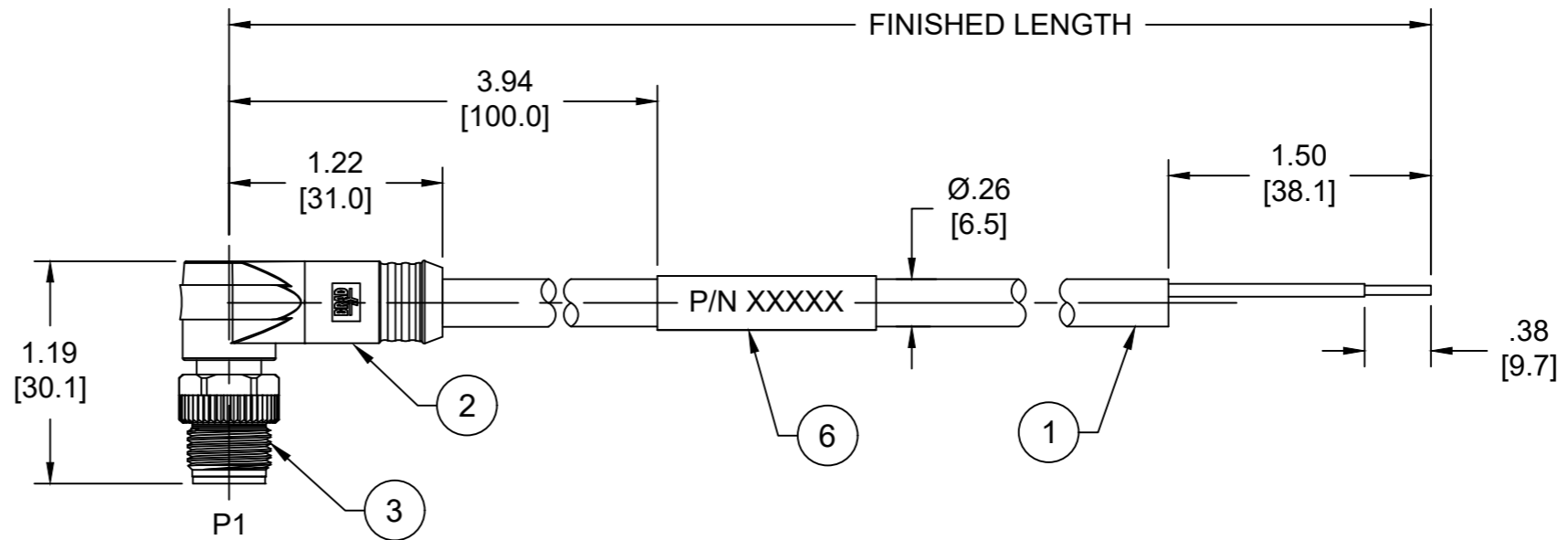


PART NUMBER LEGEND
E10A00716M020

FINISHED LENGTH
M002 - 0.2 METER
M010 - 1 METER
M200 - 20 METER

MATERIAL NUMBER	ENGINEERING NUMBER	FINISHED LENGTH
1201088538	E10A00716M020	2M [6FT 7 IN]
1201088540	E10A00716M100	10M[32FT 10 IN]
1201088541	E10A00716M200	20M[65FT 7 IN]

- NOTES:**
- MATERIAL: AS NOTED
 - FINISH: AS NOTED
 - ELECTRICAL:
VOLTAGE: 125V
CURRENT: 1.5A
 - PROTECTION: IP67 (WHEN MATED)
 - COUPLING THREAD: M12X1
 - ALL DIMENSIONS ARE FOR REFERENCE UNLESS TOLERANCED OR NOTED OTHERWISE



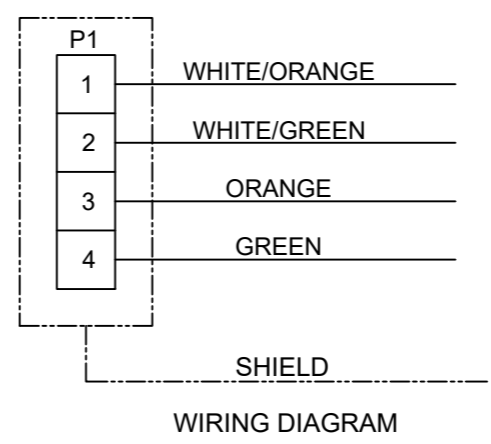
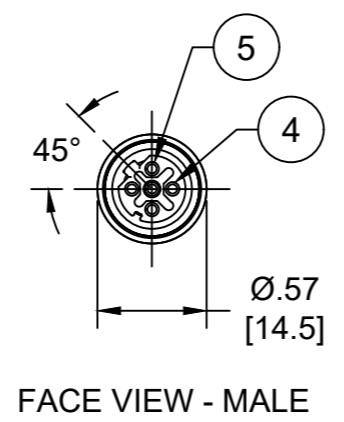
ADDITIONAL CABLE INFORMATION

PHYSICAL CHARACTERISTICS:

CONDUCTOR SIZE	24AWG 2 PAIR (19/0.12mm) BARE COPPER
INSULATION MATERIAL	POLYOLEFIN
SHIELD/BRAID	TINNED COPPER 85% COVERAGE
JACKET MATERIAL	TPU (TEAL)
CONDUCTOR TAPE	ORANGE, ORANGE-WHITE & GREEN, GREEN-WHITE
TAPE	ALUMINUM-POLYESTER

CABLE:

TEMPERATURE RATING (STORAGE)	-40 / +80°C
TEMPERATURE RATING (OPERATION)	-20 / +50°C
WELD SLAG RESISTANCE	YES, S-300 MOLEX TEST
FREE SUBSTANCE'S	FCKW, SILICONE, AND PB
FIRE PERFORMANCE	IEC60332-1, UL1581
OIL RESISTANCE	ISO6722, UL758/2556



CABLE LENGTH TOLERANCES

<.3M [1FT]:	+19mm-0 [+ .75in-0]
.3 - .9M [1 - 3FT]:	+44.5mm-0 [+1.75in-0]
.9 - 1.8M [3 - 6FT]:	+55.6mm-0 [+2.19in-0]
1.8 - 3.7M [6 - 12FT]:	+88.9mm-0 [+3.50in-0]
3.7 - 7.3M [12 - 24FT]:	+165.1mm-0 [+6.50in-0]
7.3-14.6M [24 - 48FT]:	+317.5mm-0 [+12.50in-0]
14.6 - 30.5M [48-100FT]:	+622.3mm-0 [+24.50in-0]
OVER 30M [100FT]:	+2% OF FINISHED LENGTH

ITEM	DESCRIPTION	MATERIAL	FINISH
6	WRAP LABEL	VINYL	BLACK/YELLOW
5	INSERT	PUR	BLACK
4	PIN CONTACT	COPPER ALLOY	GOLD OVER NICKEL
3	COUPLING NUT	BRASS	NICKEL PLATED
2	OVERMOLD	PUR	BLACK
1	CABLE #24AWG	TPU	TEAL

FUNCTIONAL SYMBOLS	THIS DRAWING CONTAINS INFORMATION THAT IS PROPRIETARY TO MOLEX ELECTRONIC TECHNOLOGIES, LLC AND SHOULD NOT BE USED WITHOUT WRITTEN PERMISSION		CURRENT REV DESC: ITEM-1 WAS PUR. MODIFIED PN CHART			
	$F=0$ $E=0$ $P=0$	DIMENSION UNITS: INCH/MM SCALE: NTS				
DIVISIONAL SYMBOLS	GENERAL TOLERANCES (UNLESS SPECIFIED)		INITIAL REVISION:		PRODUCT CUSTOMER DRAWING	
	4 PLACES ±--- ±--- 3 PLACES ±--- ±--- 2 PLACES ±--- ±--- 1 PLACE ±--- ±--- 0 PLACES ±--- ±---	mm INCH ANGULAR TOL ± --- °	DRWN: RSTONE 2017/08/04 APPR: BWOODMAN 2017/08/11	DOCUMENT NUMBER: SD-120108-100 DOC TYPE: PSD DOC PART: 001 REVISION: A		
DRAFT WHERE APPLICABLE MUST REMAIN WITHIN DIMENSIONS		THIRD ANGLE PROJECTION	DRAWING: B-SIZE	SERIES: 120108	MATERIAL NUMBER: SEE CHART	CUSTOMER: GENERAL MARKET
						SHEET NUMBER: 1 OF 1