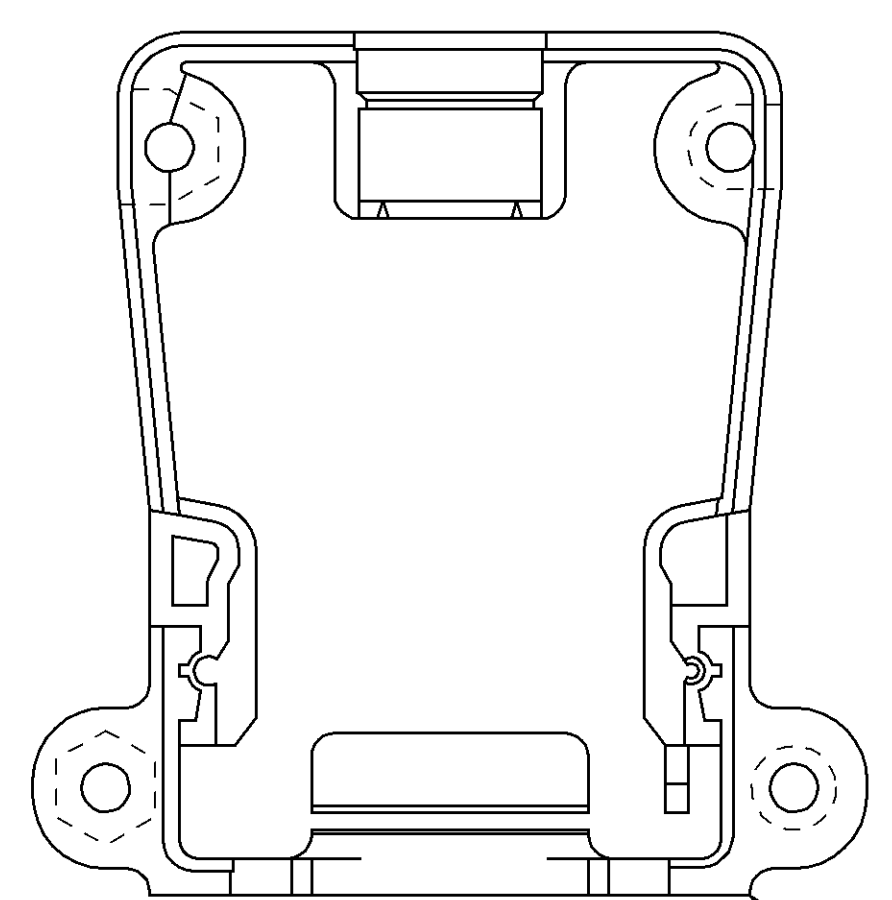
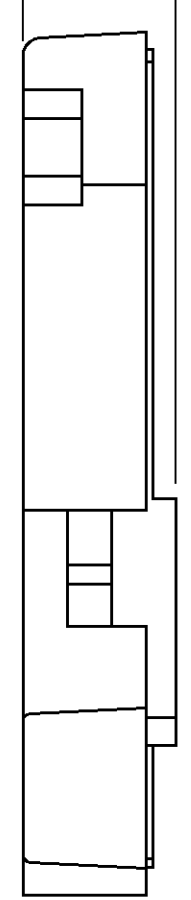


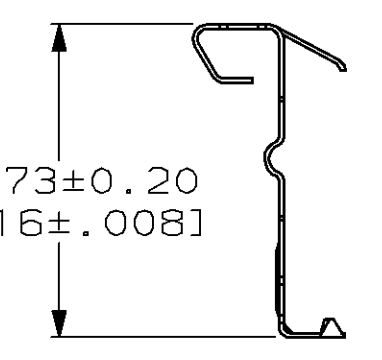
LOC	DIST	REVISIONS			
P	LYR	DESCRIPTION	DATE	DWN	APVD
E		RLSE PER NPR 23	09 APR 97	WGL	-
F		REV PER EC 0320-169-97	27 MAY 97	MB	GM
G		REV PER EC 0640-321-98	28 AUG 98	MB	JO
H		REV PER EC 0640-404-98	16 OCT 98	CO	JO

10.11  
[.398]

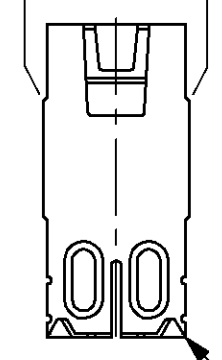


BACKSHELL  
QTY=2 PER KIT  
788089-4

20.73±0.20  
[.816±.008]

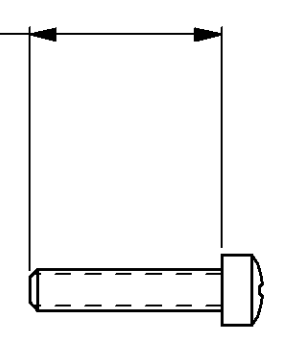


9.65±0.08  
[.380±.003]



SPRING LATCH  
QTY=2 PER KIT  
788424-1

12.70<sup>+0.00</sup><sub>-0.76</sub>  
[.500<sup>0</sup><sub>-.030</sub>]

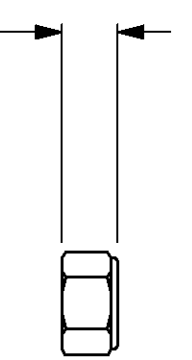


4.65 DIA  
[.183]

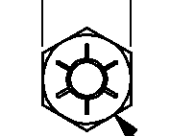


SCREW, 4-40 UNC  
QTY=4 PER KIT  
4-24282-5

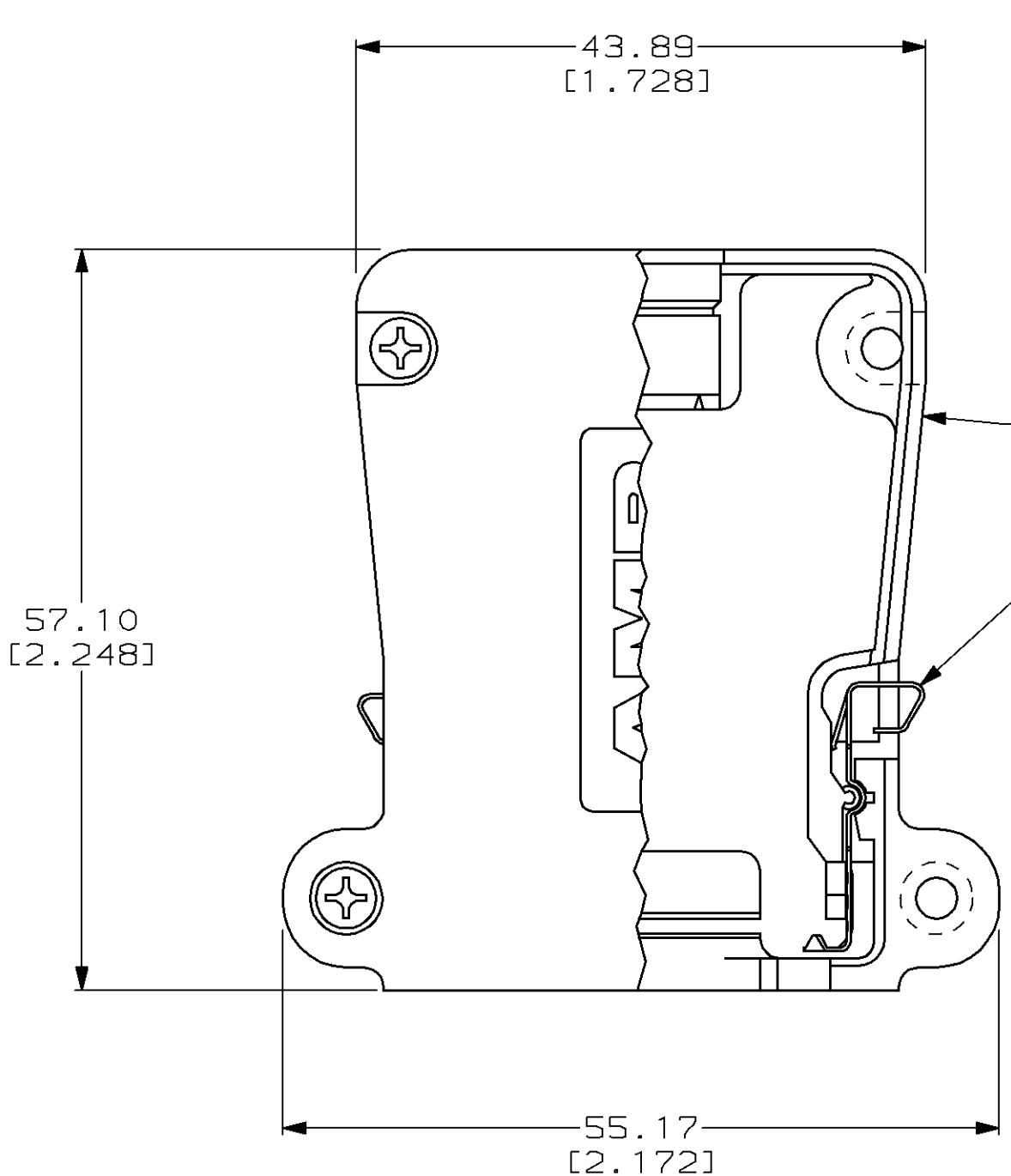
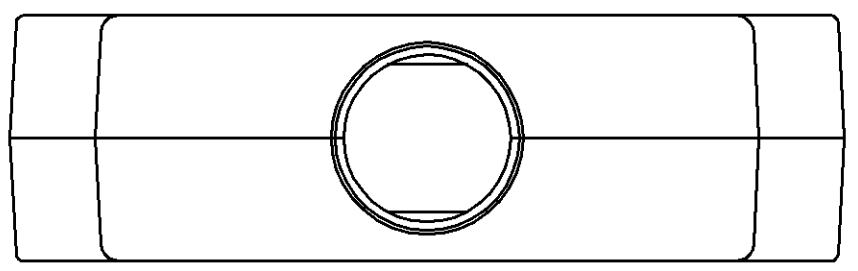
3.63±0.25  
[.143±.010]



6.27±0.10 TYP  
[.247±.004]  
ACROSS FLATS

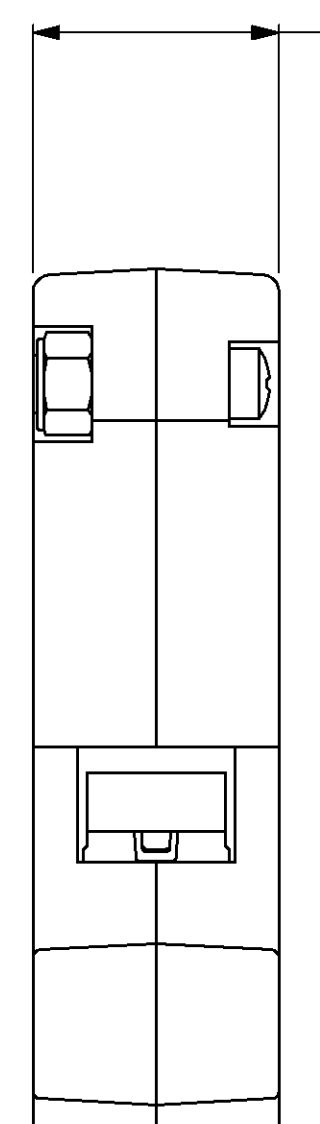


HEX NUT, LOCKING,  
4-40 UNC  
QTY=4 PER KIT  
986046-2

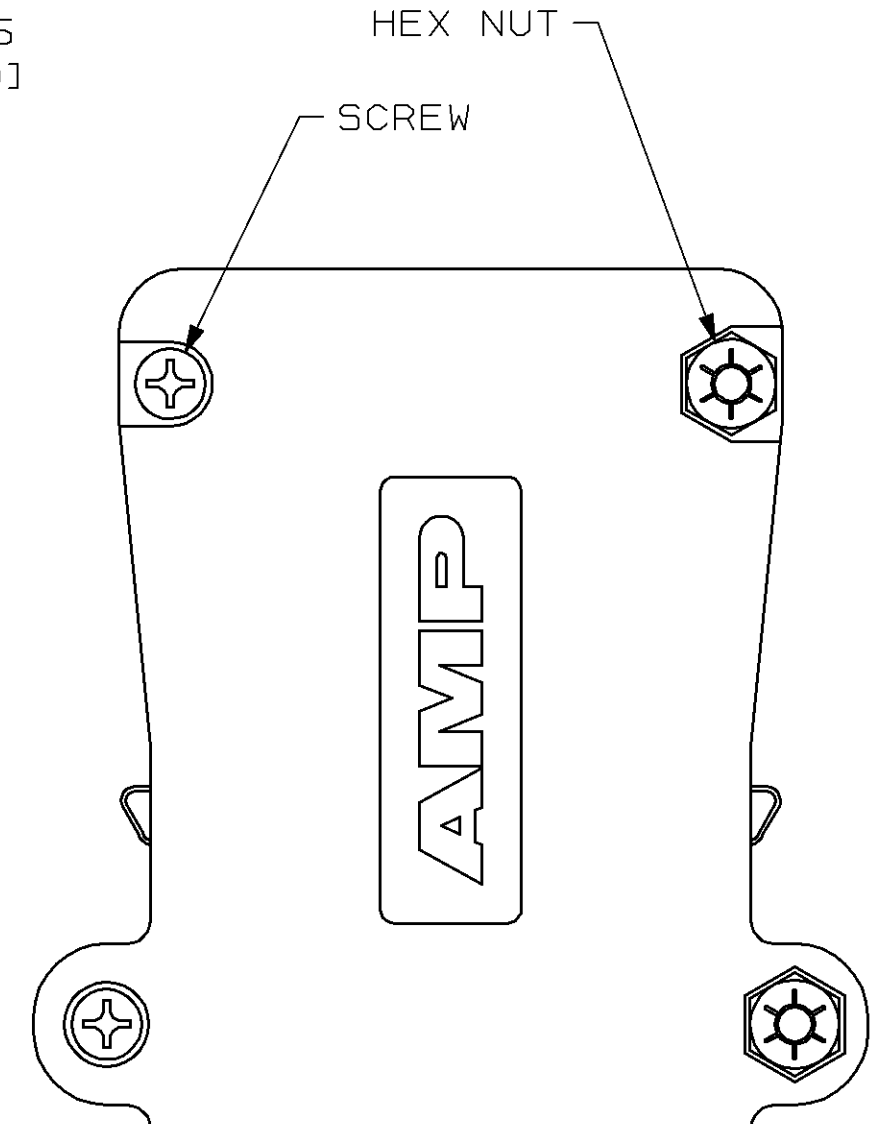


BACKSHELL  
SPRING LATCH

16.26±0.25  
[.640±.010]



HEX NUT  
SCREW



ASSEMBLED VIEWS

- ⚠ BACKSHELL: ABS, NATURAL.  
SPRING LATCH: STAINLESS STEEL, HEAT TREATED.  
SCREW AND HEX NUT: CARBON STEEL.
- ⚠ BACKSHELL: 4.57µm [.000180] MIN NICKEL OVER 7.62µm [.000300] MIN COPPER,  
ALL OVER 0.25µm [.000010] MIN ELECTROLESS NICKEL.  
SCREW AND HEX NUT: ZINC.
- ⚠ KITS ARE INDIVIDUALLY PACKED.
- ⚠ KITS ARE BULK PACKED.

4	788069-2
3	788069-1
PART NUMBER	

THIS DRAWING IS A CONTROLLED DOCUMENT.		DWN H. G. LENKER 14 APR 97	03 OCT 96	<b>AMP</b>	AMP Incorporated Harrisburg, PA 17105-3608
DIMENSIONS: mm (INCHES)		CHK R. STONE 14 APR 97	NAME G. D. MILLER		PRODUCT SPEC 108-40032-1
TOLERANCES UNLESS OTHERWISE SPECIFIED:		APPLICATION SPEC		BACKSHELL KIT, UNASSEMBLED, SIZE 1, 180° CABLE EXIT, AMPLIMITE™	
0 PLC ±.05		1 PLC ±.03		SIZE A1	
1 PLC ±.03		2 PLC ±.02		CAGE CODE 00779	
2 PLC ±.02		3 PLC ±.01		DRAWING NO 788069	
3 PLC ±.01		4 PLC ±.005		WEIGHT -	
4 PLC ±.005		ANGLES ±.5		SCALE 2:1	
FINISH		MATERIAL		SHEET 1 OF 1	
		CUSTOMER DRAWING		REV H	