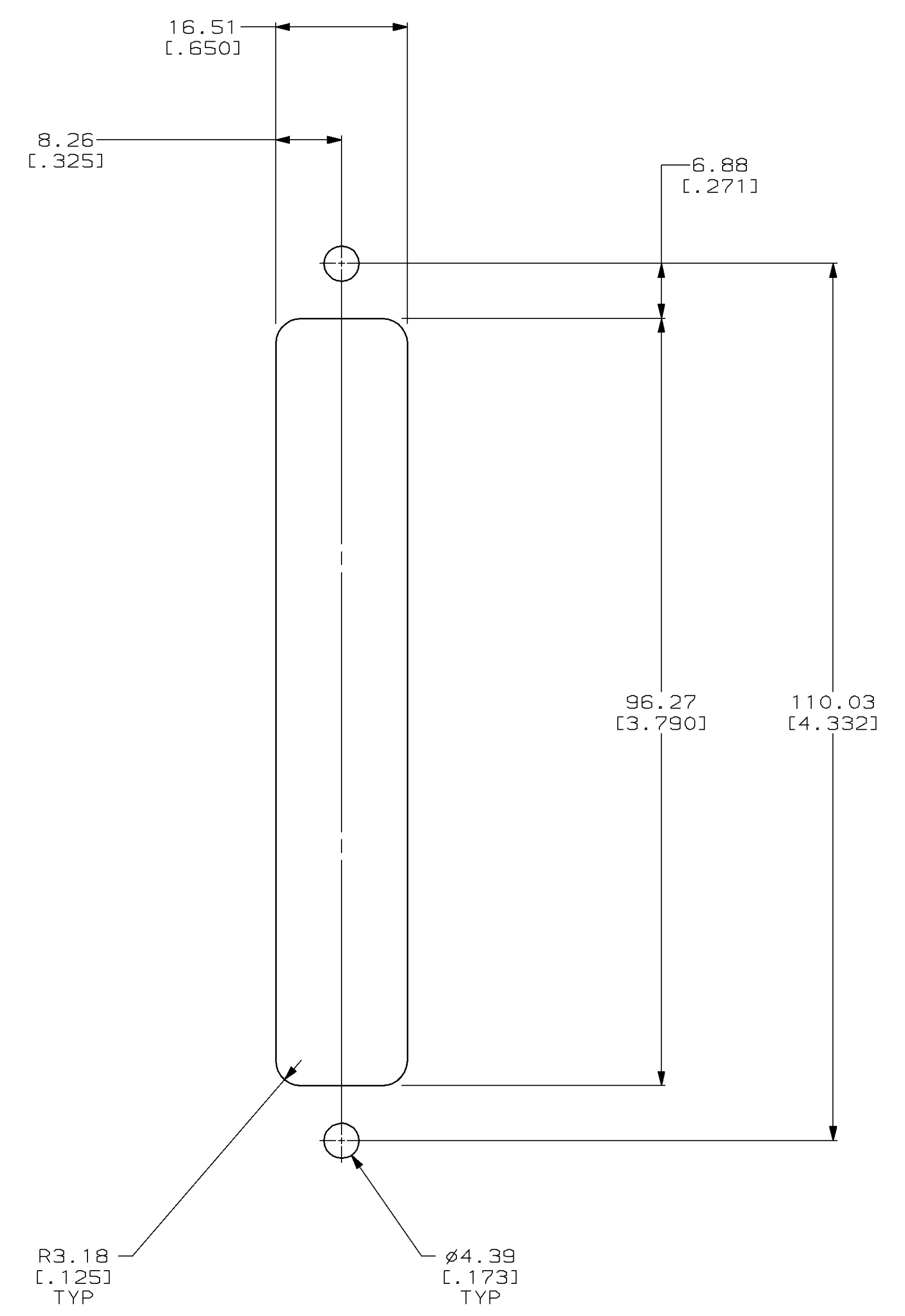
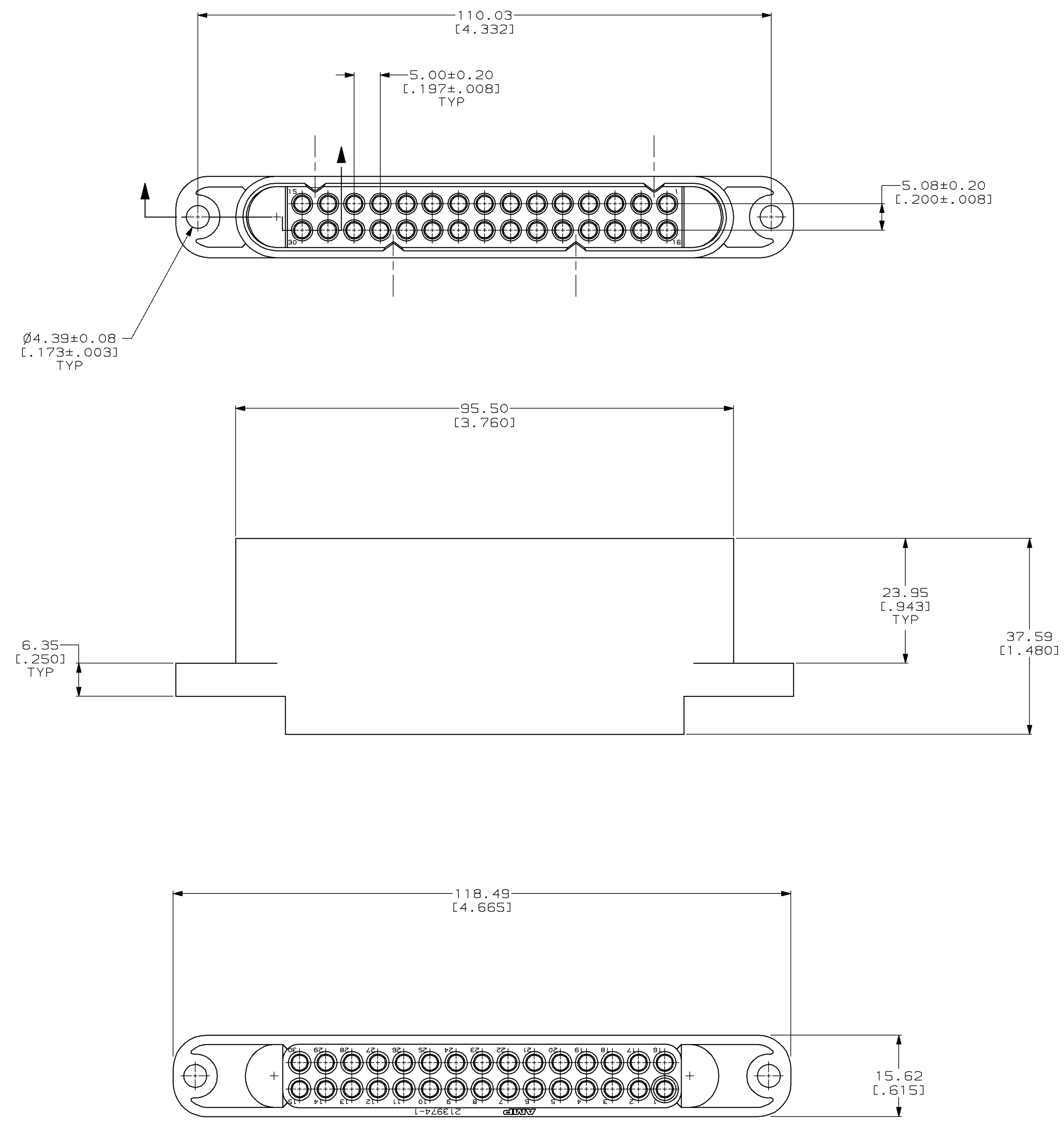


LOC	DIST	REVISIONS					
FT	13	P	LTR	DESCRIPTION	DATE	DWN	APVD
		0	RLSE	PER NPR 37 WAS 97-5018-4-1	15 MAY 97	-	-
		A	REV	PER EC 0320-15-98	26 JAN 98	MB	MM
		B	REV	PER EC 061C-35-98	14 APR 98	PB	MM

1. THIS HOUSING ACCEPTS TYPE III+ PIN CONTACTS.



RECOMMENDED PANEL CUTOUT

213974-1
 PART NUMBER

THIS DRAWING IS A CONTROLLED DOCUMENT.		DWN C. OBERMAN 15 MAY 97	AMP Incorporated Harrisburg, PA 17105-3508
DIMENSIONS mm (INCHES)		CHK R. STONE 20 MAY 97	AMP/D M. McALONIS 21 MAY 97
TOLERANCES UNLESS OTHERWISE SPECIFIED:		NAME	
0 PLC	±	PRODUCT SPEC	
1 PLC	±	108-10033	
2 PLC	+0.13 (-0.05)	APPLICATION SPEC	
3 PLC	±	114-10039	
4 PLC	±	RESTRICTED TO	
ANGLES	±	SIZE	CAGE CODE DRAWING NO
MATERIAL	FINISH	WEIGHT	A1 00779 C=213974
POLYESTER, BLACK	-	CUSTOMER DRAWING	SCALE 2:1 SHEET 1 OF 1 REV B