

6

5

4

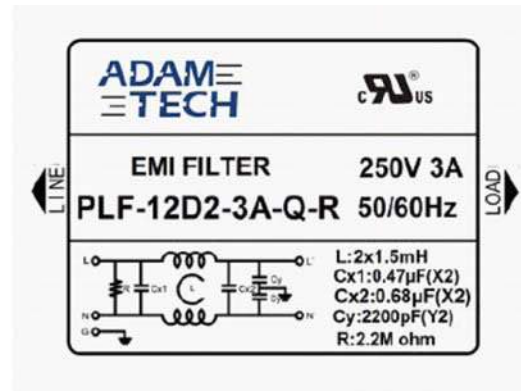
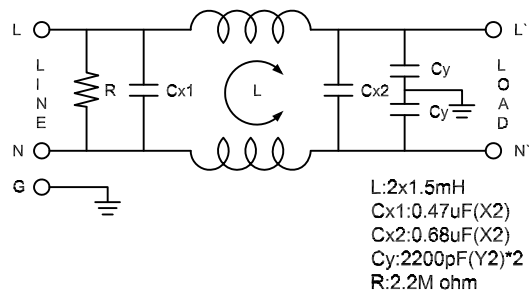
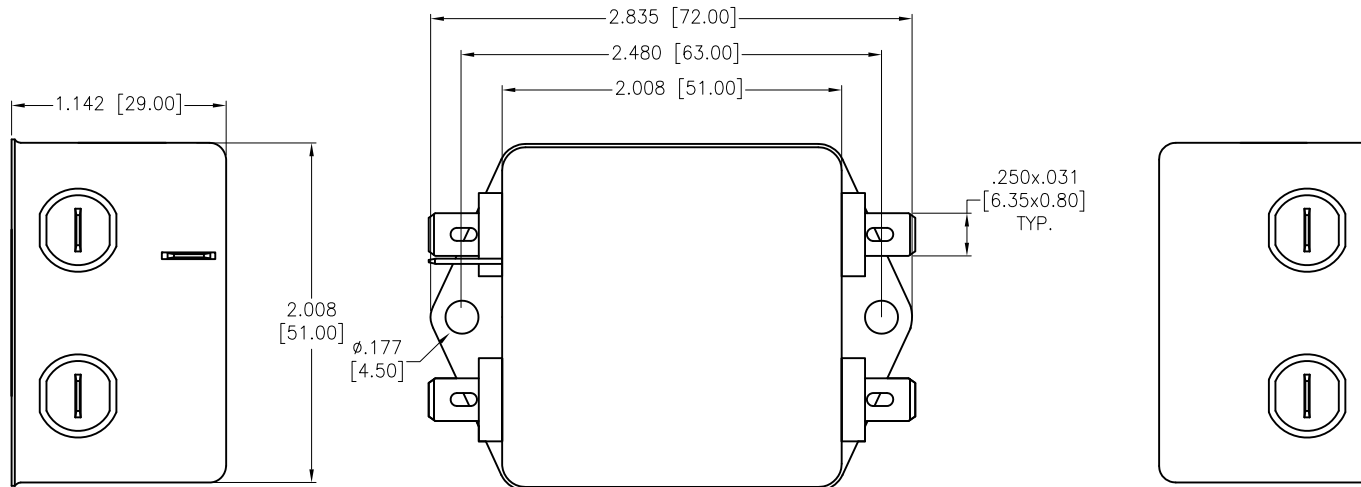
3

2

1

APPROVED: \_\_\_\_\_  
DATE: \_\_\_\_\_ TITLE: \_\_\_\_\_

Rev	AWO #	Description	Date	Appr
-		RELEASED	9/17/21	
A		UPDATE DRAWING	4/15/22	WX/RC
B		ADDED DRAWING	5/27/22	WX/RC



SPECIFICATIONS:

Electrical:

Voltage rating: 115/250 VAC  
 Current rating: 115/250 VAC: 3A RMS max  
 Operating Frequency: 50/60Hz  
 Leakage Current: Each Line To Ground  
 @115VAC/60HZ 0.3mA max  
 @250VAC/50HZ 0.6mA max

Hipot Rating(For 1 Minute)

A. Line to Ground: 2,250 VDC  
 B. Line to Line: 500 VDC

IR: 50 Mohm @500 VDC Any Input or Output to Ground

Temperature Rating:

-25°C to +85°C

Environmental:

Lead free, RoHS compliant



UNLESS OTHERWISE SPECIFIED ALL DIMENSIONS ARE INCHES [MM]. TOLERANCES: EXCEPT AS NOTED		
INCHES		HOLES
.X $\pm$ .10	$\phi$ X $\pm$ .10	
.XX $\pm$ .020	$\phi$ XX $\pm$ .015	
.XXX $\pm$ .015	$\phi$ XXX $\pm$ .010	
DRAWN	WX	9/17/21
CHECKED	RC	9/17/21
APPROVED		
THIS DRAWING CONTAINS INFORMATION THAT IS PROPRIETARY AND SHOULD NOT BE USED WITHOUT PRIOR WRITTEN PERMISSION FROM ADAM TECH		

		909 Rahway Avenue, Union, NJ 07083 Phone: 908-687-5000 Fax: 908-687-5710	
<b>TITLE</b> "EMI/RF POWER FILTER MEDIUM OUTLINE, CHASSIS MOUNT"			
SIZE	PART NO.	REV.	
X	PLF-12D2-3A-Q-R	B	
REF:	S00205C	SCALE: NTS	SHEET 1 OF 2

6

5

4

3

2

1

6

5

4

3

2

1

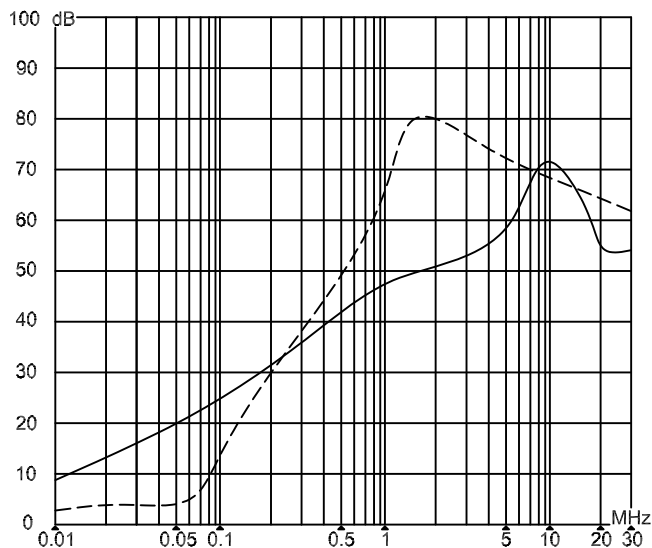
APPROVED: \_\_\_\_\_

DATE: \_\_\_\_\_ TITLE: \_\_\_\_\_

Rev	AWO #	Description	Date	Appr
SEE SHT 1 OF 2 FOR REVISION				

### INSERTION LOSS(IN 50 ohm system according IEC/CISPR

————— (common mode)  
 - - - - - (differential mode)



UNLESS OTHERWISE SPECIFIED ALL DIMENSIONS ARE INCHES [MM]. TOLERANCES: EXCEPT AS NOTED

INCHES		HOLES	
.X	± .10	ØX	± .10
.XX	± .020	ØXX	± .015
.XXX	± .015	ØXXX	± .010

DRAWN	WX	9/17/21
CHECKED	RC	9/17/21
APPROVED		

THIS DRAWING CONTAINS INFORMATION THAT IS PROPRIETARY AND SHOULD NOT BE USED WITHOUT PRIOR WRITTEN PERMISSION FROM ADAM TECH

**ADAM TECH** 909 Rahway Avenue, Union, NJ 07083  
 Phone: 908-687-5000 Fax: 908-687-5710

TITLE "EMI/RF POWER FILTER MEDIUM OUTLINE, CHASSIS MOUNT"		REV. B
SIZE X	PART NO. PLF-12D2-3A-Q-R	
REF: S00205C	SCALE: NTS	SHEET 2 OF 2

6

5

4

3

2

1