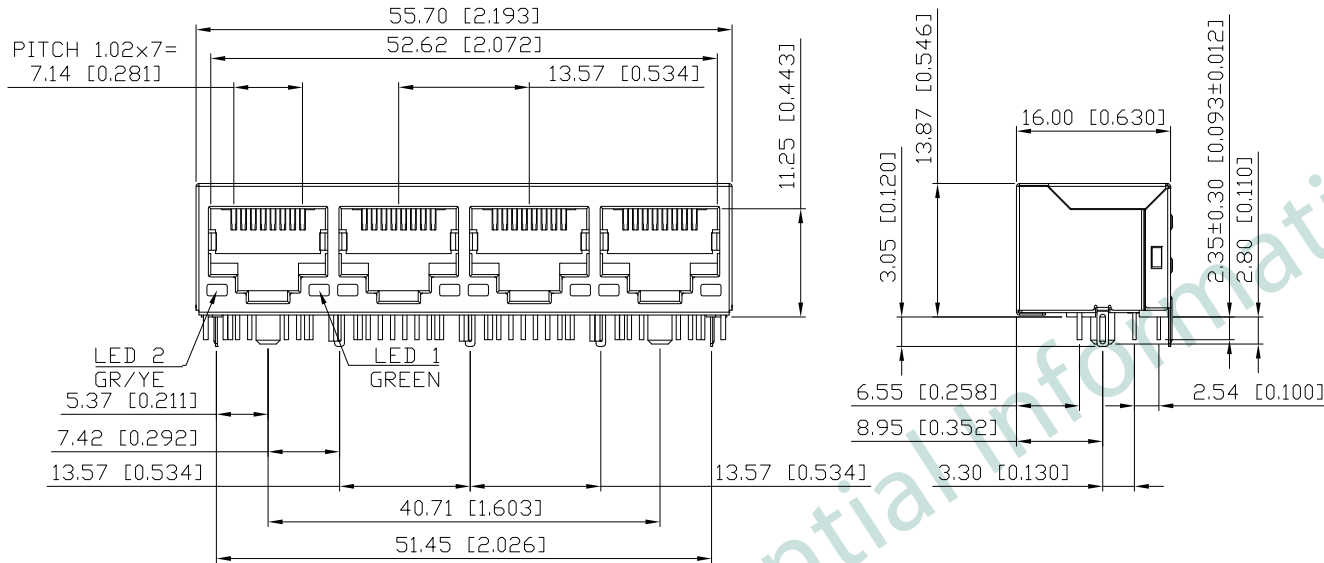


1. MECHANICAL DIMENSIONS :

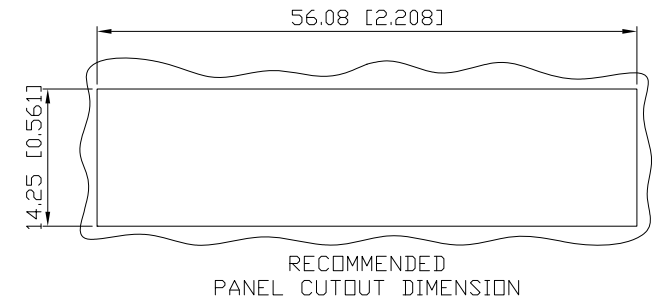
A



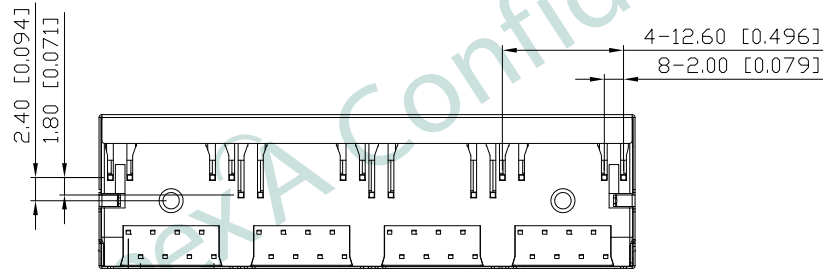
B



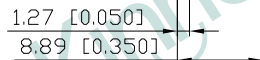
D



E



F



REV.	DATE	DESCRIPTION
01	Dec. 18, '20	1st RELEASE

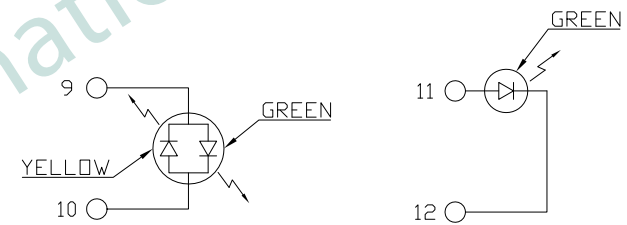
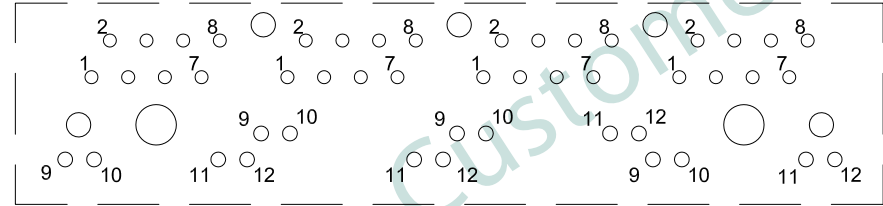
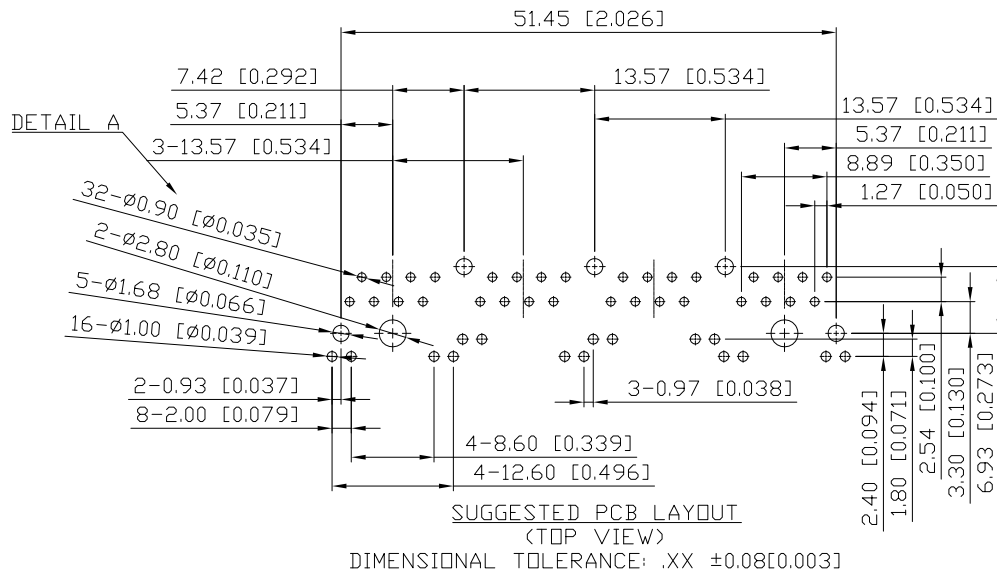
NOTES:

- MATERIAL:
HOUSING: HIGH THERMOPLASTIC, UL94V-0, BLACK
CONTACTS: T=0.35mm PHOS-BRONZE,
15μ" GOLD PLATING ON CONTACT AREA,
NICKEL UNDERPLATING OVERALL
SHIELD: T=0.20mm COPPER ALLOY, NICKEL PLATING
- OPERATING TEMPERATURE: -40°C~+85°C
- MATING FORCE: 4 POUNDS MAX.
UNMATING FORCE: 4 POUNDS MAX.
- DURABILITY: 750 MATING CYCLED MIN.
- CAVITY CONFORMS TO FCC RULES
AND REGULATIONS PART 68, SUBPART F.
- UNSPECIFIED TOLERANCE: .XX ±0.25[0.010]
.X ±0.30[0.012]

ROHS Compliant

PART NO		KRK-S-04-8-8-H-TN1-XXX		
TITLE	RJ45 1X4 8P8C, W/LED, SHIELDED			
REV : 01				
UNIT	DRAWN	CHKD	DATE	SHEET
mm[inch]	CINDY	VINCENT	Dec. 18, '20	1 of 4

2. PCB LAYOUT :



COLOR	VF(V) @20mA		IV(mcd) @20mA	IF(mA)	PEAK WAVE LENGTH λP(nm) @20mA
	TYP	MAX	TYP	TYP	TYP
GREEN	2.2	2.6	45	20	567±1.5nm
YELLOW	2.0	2.6	45	20	590±1.5nm
GREEN	2.2	2.6	45	20	567±1.5nm

KRK-S-04-8-8-H-TN1-XXX

PRODUCT SERIES
LATCH DOWN THRU HOLE

SHIELDED TYPE
S: SHIELDED

NO. OF PORTS

NO. OF POSITION

CUSTOMER CODE

CONTACT GOLD PLATING OPTION

SHIELDED PLATING WITH NICKEL

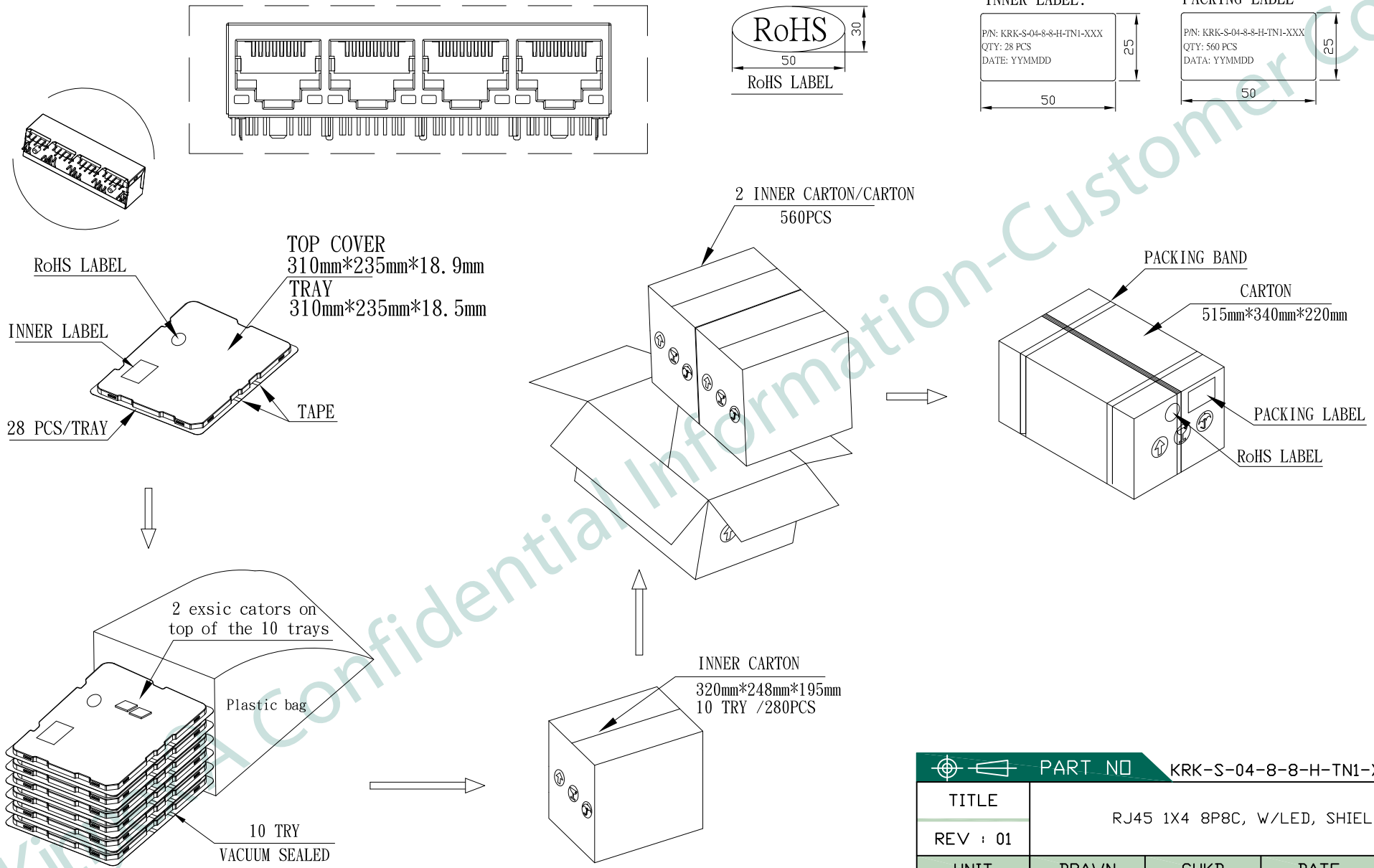
NON PANEL GROUND

LED COLOR OPTION

NO. OF CONTACT

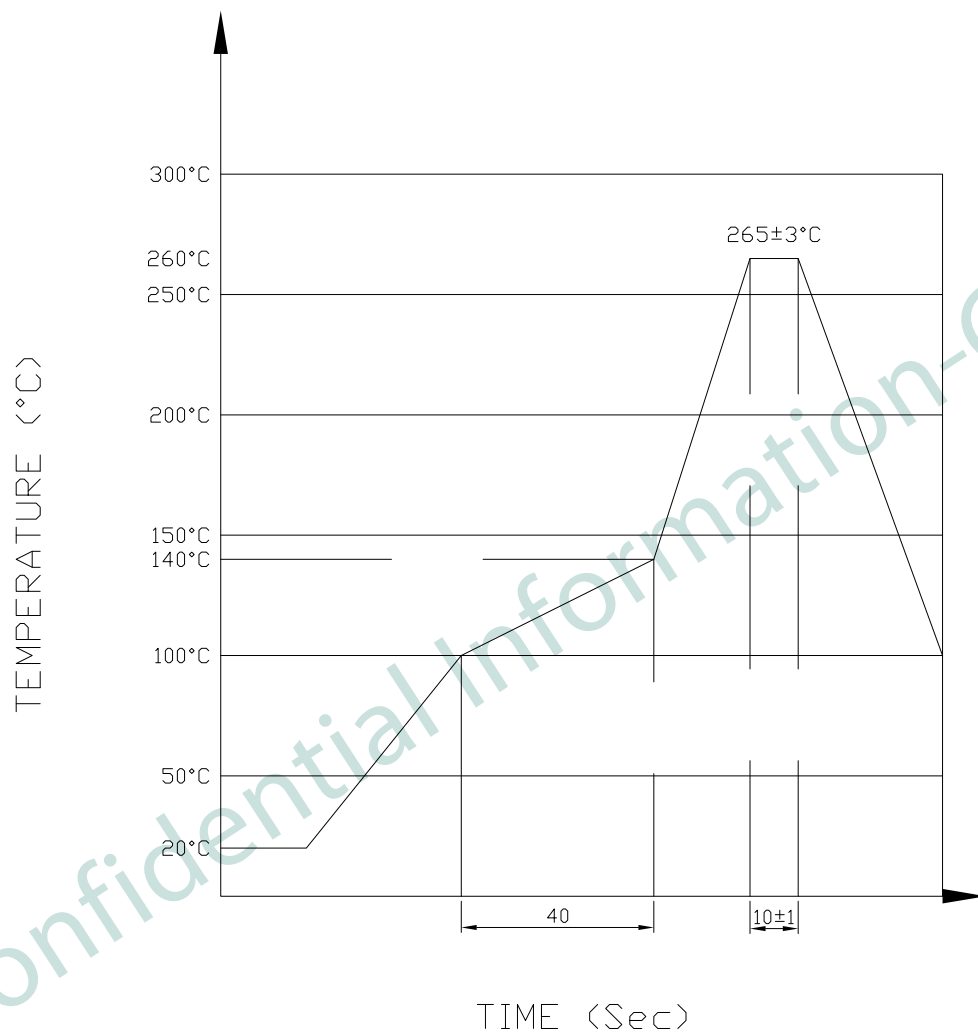
PART NO KRK-S-04-8-8-H-TN1-XXX				
TITLE	RJ45 1X4 8P8C, W/LED, SHIELDED			
REV : 01				
UNIT	DRAWN	CHKD	DATE	SHEET
mm[inch]	CINDY	VINCENT	Dec. 18, '20	2 of 4

3. PACKING SPECIFICATION:



PART NO		KRK-S-04-8-8-H-TN1-XXX		
TITLE	RJ45 1X4 8P8C, W/LED, SHIELDED			
REV : 01				
UNIT	DRAWN	CHKD	DATE	SHEET
mm[inch]	CINDY	VINCENT	Dec. 18, '20	3 of 4

4. PROFILE OF WAVE SOLDER :



THE MEASURING POINT FOR THE SPECIFIED TEMPERATURE SHALL BE ON THE SOLDERED PART OF THE LEAD

PART NO KRK-S-04-8-8-H-TN1-XXX				
TITLE	RJ45 1X4 8P8C, W/LED, SHIELDED			
REV : 01				
UNIT	DRAWN	CHKD	DATE	SHEET
mm[inch]	CINDY	VINCENT	Dec. 18, '20	4 of 4