



WR-75 Waveguide Shim, UG-Grooved
Square flange, 10mm Brass

Waveguide Accessories Technical Data Sheet

PEW75FS10-G

Features

- WR-75 Waveguide Shim
- Square UG-Grooved Flange Configuration
- Frequency Range: 9.84 GHz to 15 GHz
- 10 mm Thick Brass Construction

Description

PEW75FS10-G is a WR-75 waveguide shim with operating frequency range from 9.84 GHz to 15 GHz. This waveguide shim is fabricated with 10 mm thick brass by high precision manufacturing process. PEW75FS10-G can be used to bridge gaps between WR-75 waveguide components with UG-Grooved Square Flanges. Pasternack offers wide selection of waveguide components with high performance available in stock and same-day shipping to customers worldwide.

Electrical Specifications

Description	Minimum	Typical	Maximum	Units
Frequency Range	9.84		15	GHz

Mechanical Specifications

Body Material	Brass
Body Finish	Anticorrosion grey paint
Length	0.394 in [10.01 mm]
Width	1.496 in [38 mm]
Height	1.496 in [38 mm]
Weight	0.441 lbs [200.03 g]

Compliance Certifications (see [product page](#) for current document)

WR-75 Waveguide Shim, UG-Grooved Square flange, 10mm Brass from Pasternack Enterprises has same day shipment for domestic and International orders. Our RF, microwave and millimeter wave products maintain a 99.4% availability and are part of the broadest selection in the industry.

Click the following link (or enter part number in "SEARCH" on website) to obtain additional part information including price, inventory and certifications: [WR-75 Waveguide Shim, UG-Grooved Square flange, 10mm Brass PEW75FS10-G](#)

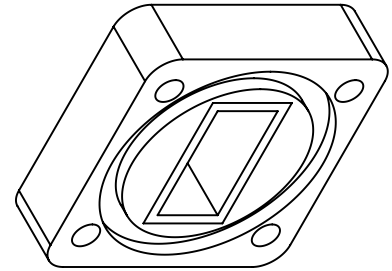
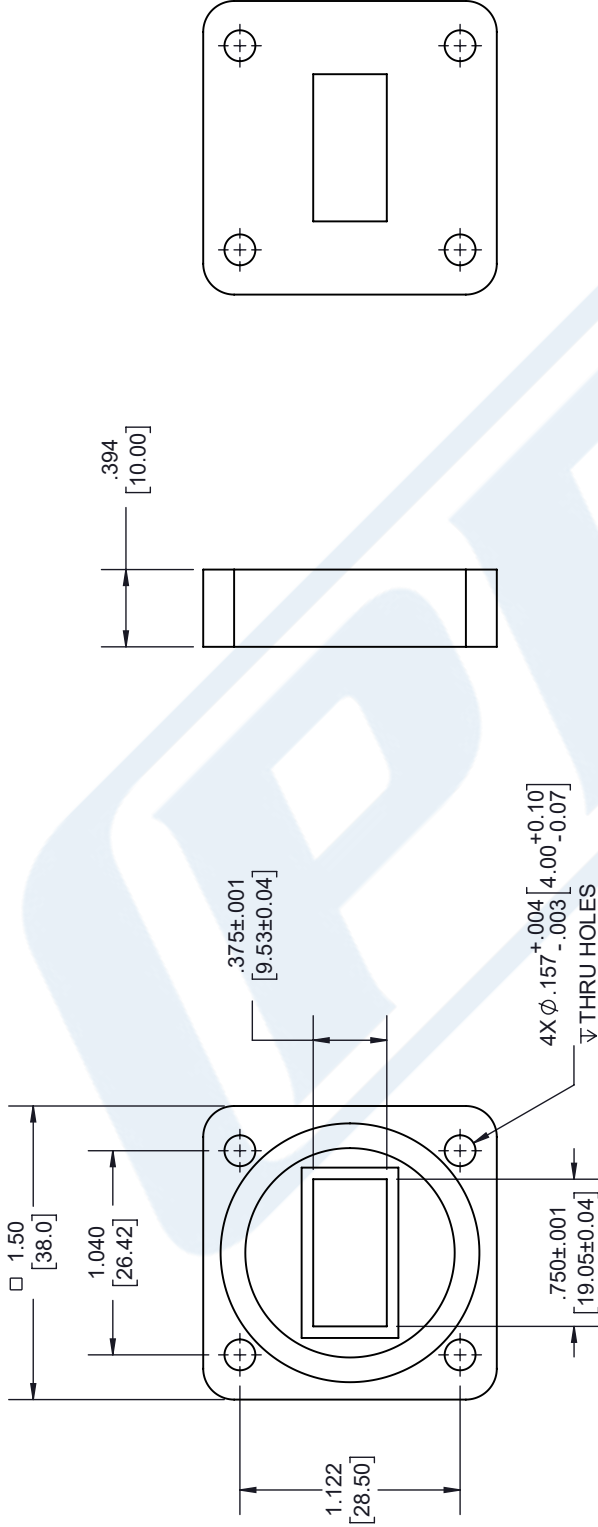
URL: <https://www.pasternack.com/wr-75-waveguide-shim-ug-grooved-square-10-mm-brass-PEW75FS10-G-p.aspx>

The information contained in this document is accurate to the best of our knowledge and representative of the part described herein. It may be necessary to make modifications to the part and/or the documentation of the part, in order to implement improvements. Pasternack reserves the right to make such changes as required. Unless otherwise stated, all specifications are nominal. Pasternack does not make any representation or warranty regarding the suitability of the part described herein for any particular purpose, and Pasternack does not assume any liability arising out of the use of any part or documentation.

PEW75FS10-G CAD Drawing

WR-75 Waveguide Shim, UG-Grooved Square flange, 10mm Brass

REVISIONS			
REV.	DESCRIPTION	DATE	APPROVED
A	INITIAL RELEASE	4/11/2022	S. PONG



UNLESS OTHERWISE SPECIFIED LEADING DIMENSIONS ARE INCHES DIMENSIONS IN [] ARE MILLIMETERS

TOLERANCES:

.X = ±.2 [5.08] FRACTIONS ±1/32
 .XX = ±.02 [.51] ±.02
 .XXX = ±.005 [.13] ANGLES ± 1°

CABLE LENGTH (L), TOLERANCES:
 L ≤ 12 [305] = +1 [25] / -0
 12 [305] < L ≤ 60 [1524] = +2 [51] / -0
 60 [1524] < L ≤ 120 [3048] = +4 [102] / -0
 120 [3048] < L ≤ 300 [7620] = +6 [152] / -0
 300 [7620] < L = +5% / -0

ALL DIMENSIONS SHOWN ARE FOR REFERENCE ONLY.

PE PASTERNAK
 an INFINIT brand

Pasternack Enterprises, Inc.
 P. O. Box 16759, Irvine, CA 92623.
 Phone: 1.949.261.1920 | 1.866.727.8376
 Fax: 1.949.261.7451
 Website: www.pasternack.com
 E-mail: sales@pasternack.com

THIRD-ANGLE PROJECTION

THE INFORMATION AND DESIGN IN THIS DOCUMENT IS THE PROPERTY OF PASTERNAK CORPORATION ALL RIGHTS RESERVED.

SHEET 1 OF 1

SCALE N/A

REV A

ITEM NO. PEW75FS10-G

DRAWN BY K.DANG

CAGE CODE 53919

SIZE A