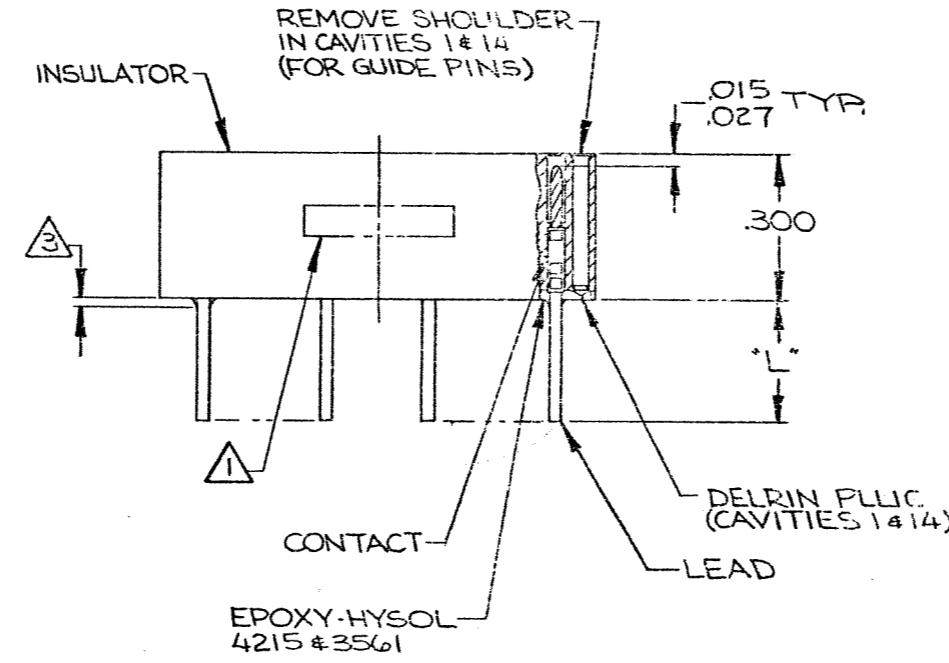
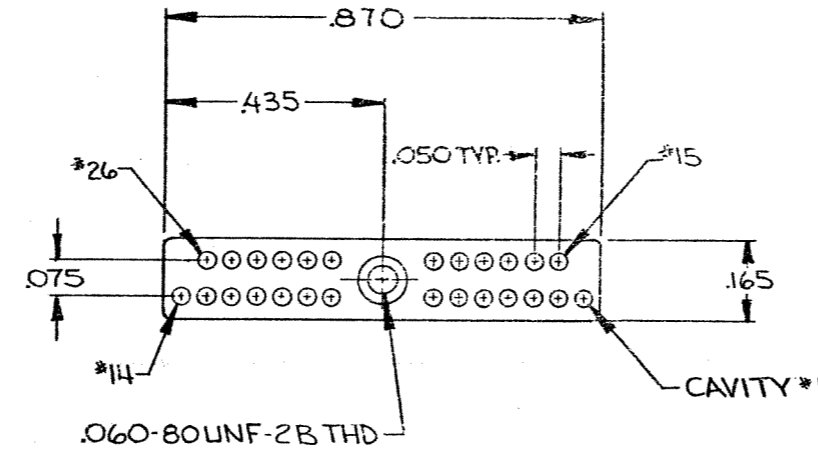


REVISIONS					
ZONE	LTR	E.C.O	DESCRIPTION	DATE	APPROVED
	A	20210	RELEASED	10-15-75	MW



- NOTES:
- MARK "MALCO" OR MALCO LOGO, PART NUMBER & DATE CODE USING .047 MIN. HIGH CHARACTERS IN APPROX. AREA SHOWN.
 - CRIMP LEADS INTO CONTACTS PER MEP-302-05
- ⚠ EPOXY WICKING-UNINSULATED WIRE - .050 MAX.
INSULATED WIRE UP TO #25AWG-.125 MAX.
INSULATED WIRE #24 AWG & LARGER-.200 MAX.

Tyco Dwg 1532148-4
Micro P/N 095-0000-0148

A

QTY REQD	CODE IDENT	PART OR IDENTIFYING NO.	NOMENCLATURE OR DESCRIPTION
			JACKMATE PLUG ASS'Y
			MCJB2-26P

UNLESS OTHERWISE SPECIFIED DIMENSIONS ARE IN INCHES TOLERANCES ARE:		CONTRACT NO.	
FRACTIONS ±	DECIMALS .XX ± .01 ± .XXX ± .005	APPROVALS	DATE
MATERIAL		DRAWN M. DABROWSKI	10-15-75
FINISH		CHECKED	15
NEXT ASSY		PR. ENG.	15
USED ON		APCD.	15
APPLICATION		These drawings and specifications are the property of Microdot Inc. and shall not be divulged, reproduced or copied, or used as the basis for the manufacture or sale of any article without written permission of Microdot Inc.	

SIZE	CODE IDENT NO.	DRAWING NO.
B	98278	095-0000-0148

SCALE	SHEET 1 OF 1
-------	--------------