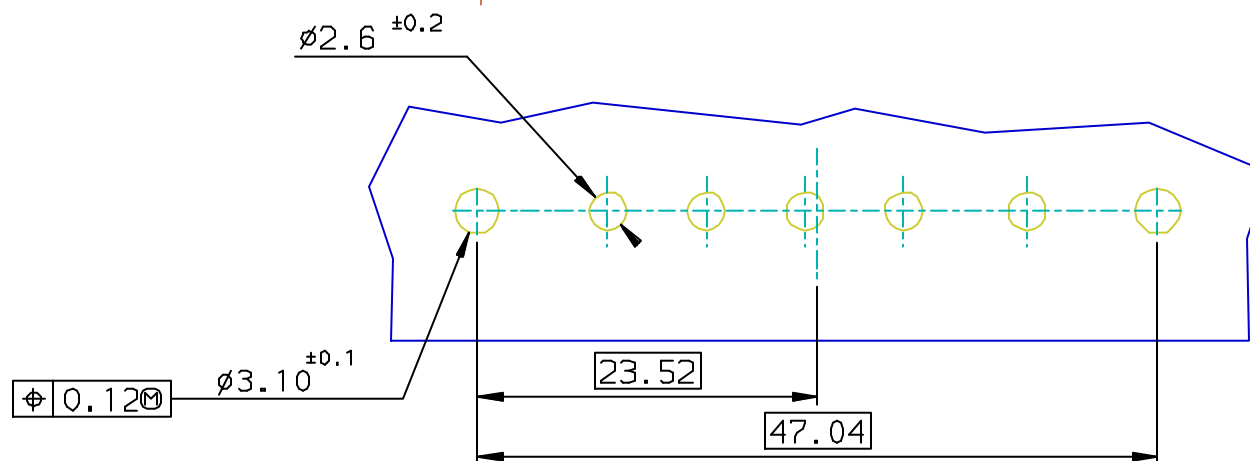
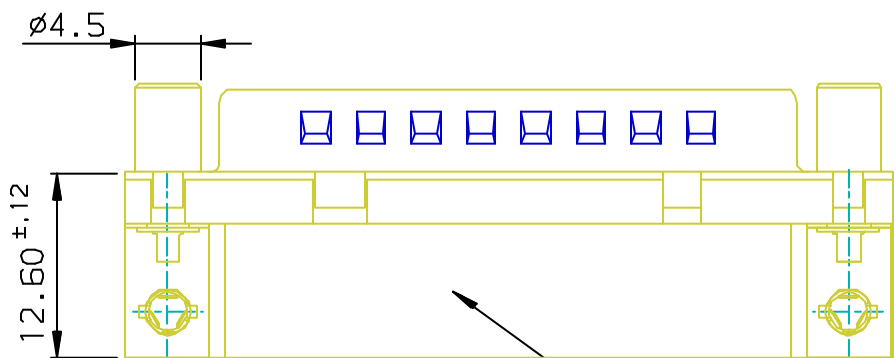


PC CARD DRILLING DIMENSIONS

Components side view - Thickness 1.60mm



LF FOR LEAD FREE

Part Number & Date Code Printing

REQUIREMENTS

Technical characteristics:

- Material contacts - brass
- Finish on contact area -gold 0.76µ mini over nickel
- Finish on terminalson end - bright tin - lead over nickel

- Shell: steel tin/Zinc Cr3 plated
- Insulators: self-extinguishing thermoplastic, ULClass94V0
- Grounding brackets: brass, tin/Zinc Cr3 plated
- Female screwlock: brass, tin/Zinc Cr3 plated
- Harpoon: brass , tin plated

Climatic characteristics:

Operating temperature range: -55°C +125°C

Dimensions:

in accordance with MIL-C-24308

Part number **DSWSP36A5GV08****

FOR ROHS DETAILS REFER DWG.N0:C01-8646-0000

European Views

www.fciconnect.com		surface ISO 1302 ✓	tolerance std ISO 406 ISO 1101	projection mm
TOLERANCES UNLESS OTHERWISE SPECIFIED				
Dr	JOHN SLEEBA	2001/02/06	ANGULAR	LINEAR
Eng	GEORGE VJ	2001/02/06	0.X	±0.1
Chr	GEORGE VJ	2005/07/27	0.XX	±0.1
Appr	KVSD	2005/07/27	0.XXX	±0.1
Product family			D-SUB	Spec ref -

rev	ecn no	dr	date
B	105-0124	JS	2005/07/27
C	106-0074	SK	2006/06/08
-	-	-	-
-	-	-	-
-	-	-	-
-	-	-	-

	title MALE CONNECT. 5W5	dwg no C01-8646-0760	Rev. C
	catalog no DELTA-D	CUSTOMER	sheet 1 of 1



Copyright FCI.