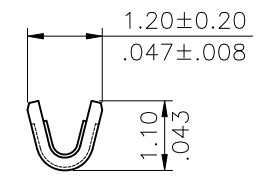
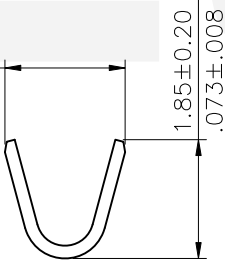
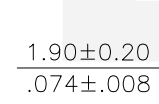
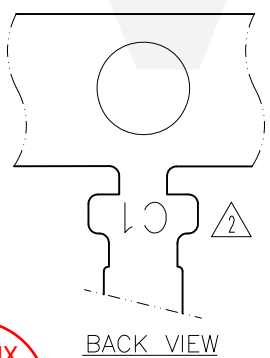
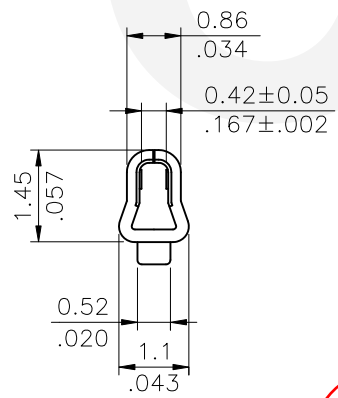


Wire Range	Insulation Diameter	Reel Q'ty
AWG #26~#32	1.10 (.043) MAX.	15,000 PCS.

Ordering Code:

CI15 T01 1 P E 0
 ① ② ③ ④ ⑤ ⑥

- ① Series No.
- ② Type: T01= AWG #26~ #32
- △③ Plating: 1= 30μ" Min. Tin Plated (Reflow Plated)
- ④ Material: P= Phosphor Bronze
- ⑤ Plating method: E= Pre-tinned
- ⑥ Option: 0= Standard



CVILUX
 2022.01.27
ISSUED

RoHS Compliant

SYM	NAME	DATE	REVISIONS	APPROVED BY:	DATE	UNIT: mm / inch	TITLE:	 瀚荃股份有限公司 CviLux Corporation
△4	Sun	1/20-22'	ECRH122001/ECNT122006			UNIT: mm / inch	FOR CI15 Series terminal	
△3	Ellie	1/9-15'	ECNT115004	DRAWN BY:	Sun 1/20-22'	TOLERANCE UNLESS OTHERWISE SPECIFIED	MATERIAL:	
△2	Erin	5/7-12'	ECR12021-0/ECN12074-0	ENGINEER:	Sun 1/20-22'	.X ± 0.20/.008 X' ± 1'	FINISH:	
△1	Sun	4/11-07'	ECN07056-0/ECN07133	CHECKED BY:	Eisley 1/22-22'	.XX ± 0.10/.004 X' ±		DRAWING NO. CI1511SE PART NO. CI15T011PEO
				APPROVED BY:	Eisley 1/22-22'	.XXX ± 0.05/.002 XX' ±		SCALE 8 / 1 SHEET 1 OF 1