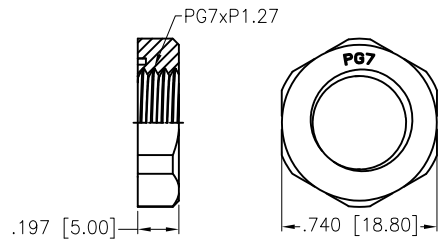


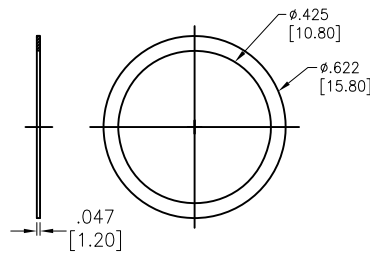
APPROVED: _____
 DATE: _____ TITLE: _____

Rev	AWO #	Description	Date	Appr
-		RELEASED	11/1/22	
A		UPDATE SPEC.	11/30/22	WX/RC

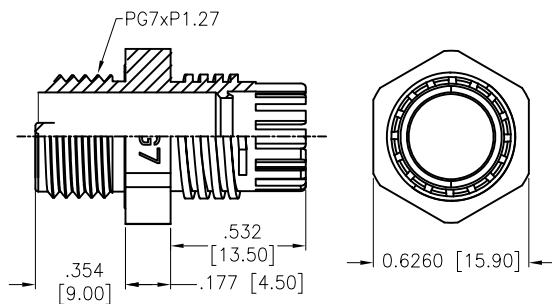
Ⓐ Lock Nut



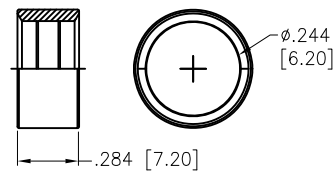
Ⓑ Washer



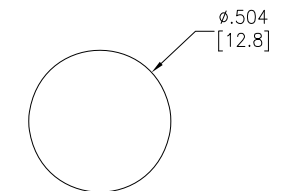
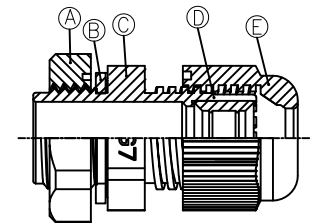
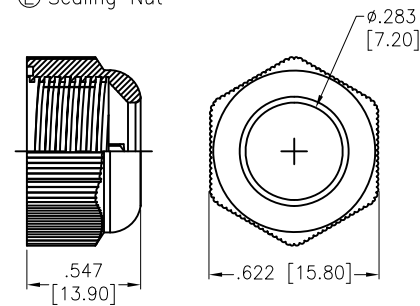
Ⓒ Body



Ⓓ Seal



Ⓔ Sealing Nut



RECOMMENDED
 PANEL CUT-OUT
 (.110 [2.8] MAX PANEL THICKNESS)

SPECIFICATIONS:

Material:
 Lock Nut: PA66, rated UL 94V-2
 Body: PA66, rated UL 94V-2
 Sealing Nut: PA66, rated UL 94V-2
 Washer: Nitrile Butylene
 Seal: Nitrile Butylene
 Mechanical:
 Cable Range O.D.: 4-6.5 mm
 Thread O.D. L2: 12.5mm
 Thread Length L2: 9 mm
 Spanner Size A&E: 19/16 mm
 Nut Torque: 0.6Nm Max.
 Temperature Rating:
 -40°C to +100°C
 Environmental:
 Waterproof: IP68
 Lead free, RoHS compliant.



UNLESS OTHERWISE SPECIFIED ALL DIMENSIONS ARE INCHES [MM]. TOLERANCES: EXCEPT AS NOTED

INCHES		HOLES	
.X	± .10	∅X	± .10
.XX	± .020	∅XX	± .015
.XXX	± .015	∅XXX	± .010

**ADAM
 TECH**

909 Rahway Avenue,
 Union, NJ 07083
 Phone: 908-687-5000
 Fax: 908-687-5710

DRAWN	JJ	11/1/22
CHECKED	RC	11/1/22
APPROVED		

TITLE
 WATERPROOF CONNECTOR, PG7, 1 HOLE,
 CABLE GLAND, WATERPROOF: IP68

THIS DRAWING CONTAINS INFORMATION THAT IS PROPRIETARY AND SHOULD NOT BE USED WITHOUT PRIOR WRITTEN PERMISSION FROM ADAM TECH	SIZE X	PART NO. CG-P-7	REV. A
REF: S00211C	SCALE: NTS	SHEET 1 OF 1	