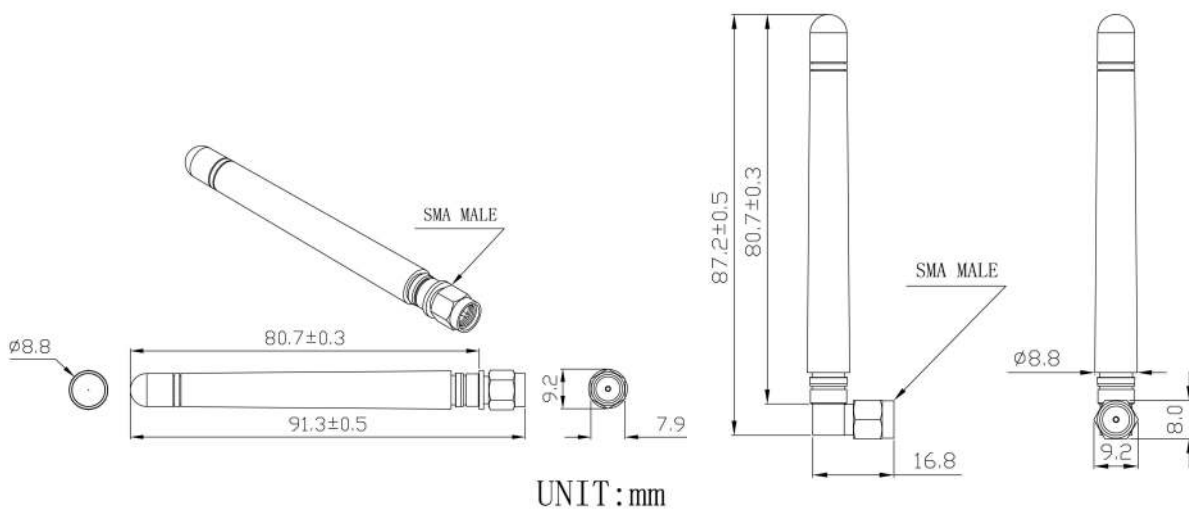


WIFI Antenna JCW015



DIMENSIONS



SPECIFICATIONS

| Item | | Specifications |
|---------------|--------------------------|----------------------------------------|
| Antenna | Frequency Range | 2400~2483.5 MHz |
| | Band Width | 83.5MHz |
| | Polarization | Linear |
| | Gain | 2dBi (Zenith) |
| | V.S.W.R (min) | <2.5 |
| | Impedance | 50 Ω |
| | Connector | SMA Male |
| Environmental | Operating Temperature | -40℃~+85℃ |
| | Vibration | 10 to 55Hz with 1.5mm amplitude 2hours |
| | Environmentally Friendly | ROHS Compliant |

Radiation Pattern

