

Flat suction pad (round)

SUF 70 NBR-55 G1/4-IG

Part no...:10.01.01.14063

<https://www.schmalz.com/10.01.01.14063>

Home > Vacuum Technology for Automation > Vacuum Components > Vacuum Suction Cups > Flat Suction Cups (Round) > Flat Suction Cups SUF > SUF 70 NBR-55 G1/4-IG

Flat suction cup (round) for process safe handling of smooth or slightly rough surfaces



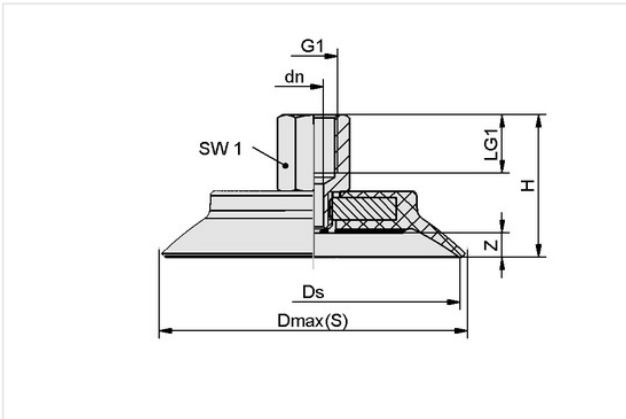
Size: 70

Suction cup material: Nitrile rubber NBR

Material hardness [Shore A]: 55 Shore A

Vacuum connection: G1/4"-F

Design Data



| Attribute | Value |
|------------|----------|
| Dmax(S) | 77.20 mm |
| Ds | 70 mm |
| dn | 5.10 mm |
| G1 | G1/4"-F |
| H | 34.40 mm |
| LG1 | 12 mm |
| SW1 | 17 mm |
| Z (Stroke) | 6 mm |

Technical Data

| Attribute | Value |
|-----------------------------|--------------------|
| Suction force (-600mbar) | 198 N |
| Pull-off force | 198 N |
| Volume | 18 cm ³ |
| Curve radius (min) (convex) | 100 mm |
| Hose diameter (empf.) d | 6 mm |
| Size | 70 |
| Suction cup material | Nitrile rubber NBR |
| Material hardness [Shore A] | 55 Shore A |

Contact Schmalz

Schmalz Inc. | 5850 Oak Forest Drive, Raleigh, NC 27616, United States | +1 (919) 713-0880 | schmalz.us@schmalz.com



Flat suction pad (round)

SUF 70 NBR-55 G1/4-IG

Part no...:10.01.01.14063

<https://www.schmalz.com/10.01.01.14063>

| | |
|-----------------|---------|
| Weight | 61.30 g |
| Product family | SUF |
| Number of folds | 0 |

Note: Suction force: The specified suction forces are theoretical values at a vacuum of -0.6 bar and with a dry, smooth and flat workpiece surface - they do not include a safety factor
Hose diameter: The recommended hose diameter refers to a hose length of approx. 2 m
