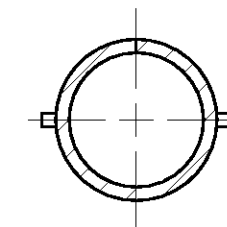
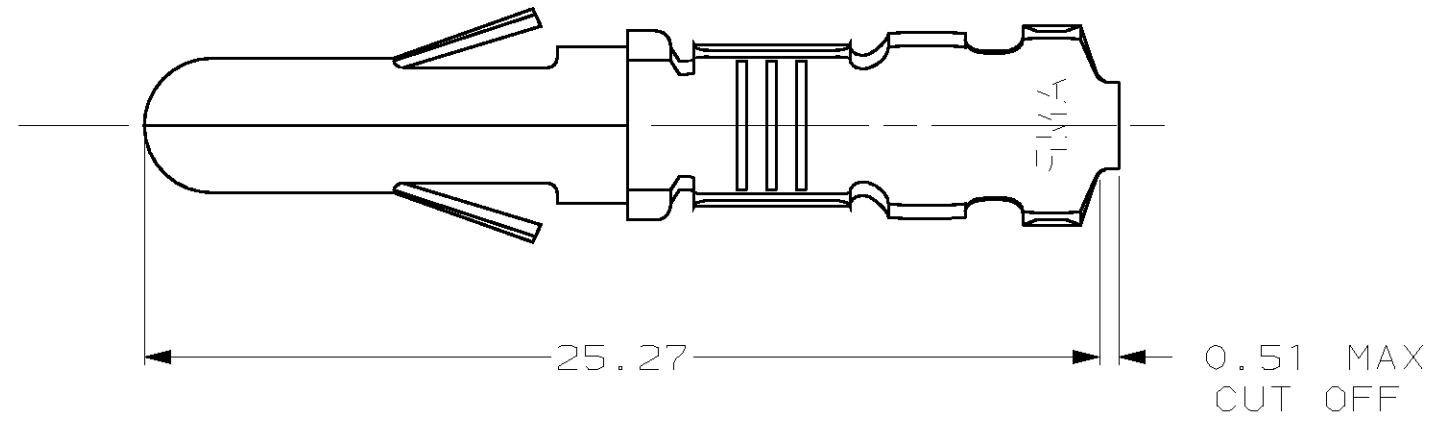


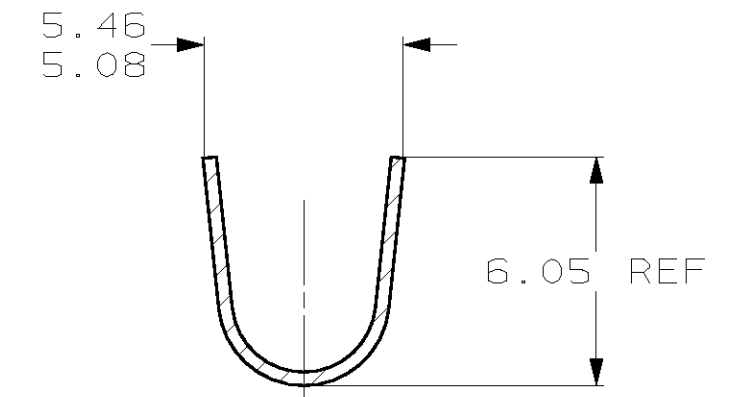
THIS DRAWING IS UNPUBLISHED. RELEASED FOR PUBLICATION .19  
 (C) COPYRIGHT 19 BY AMP INCORPORATED. ALL RIGHTS RESERVED.

LOC		DIST		REVISIONS			
P	LTR	DESCRIPTION		DATE	DWN	APVD	
	C	REV & REDWN PER EC 0G1B-0217-98		29OCT98	TB	RS	

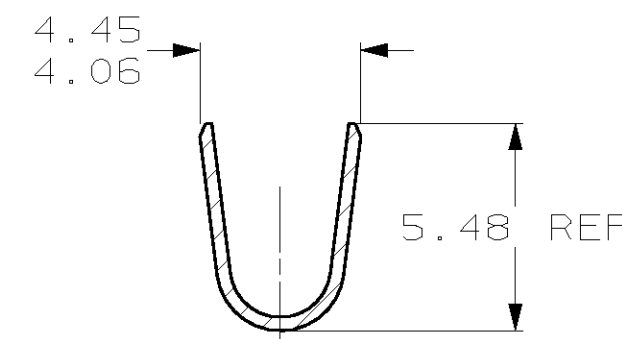
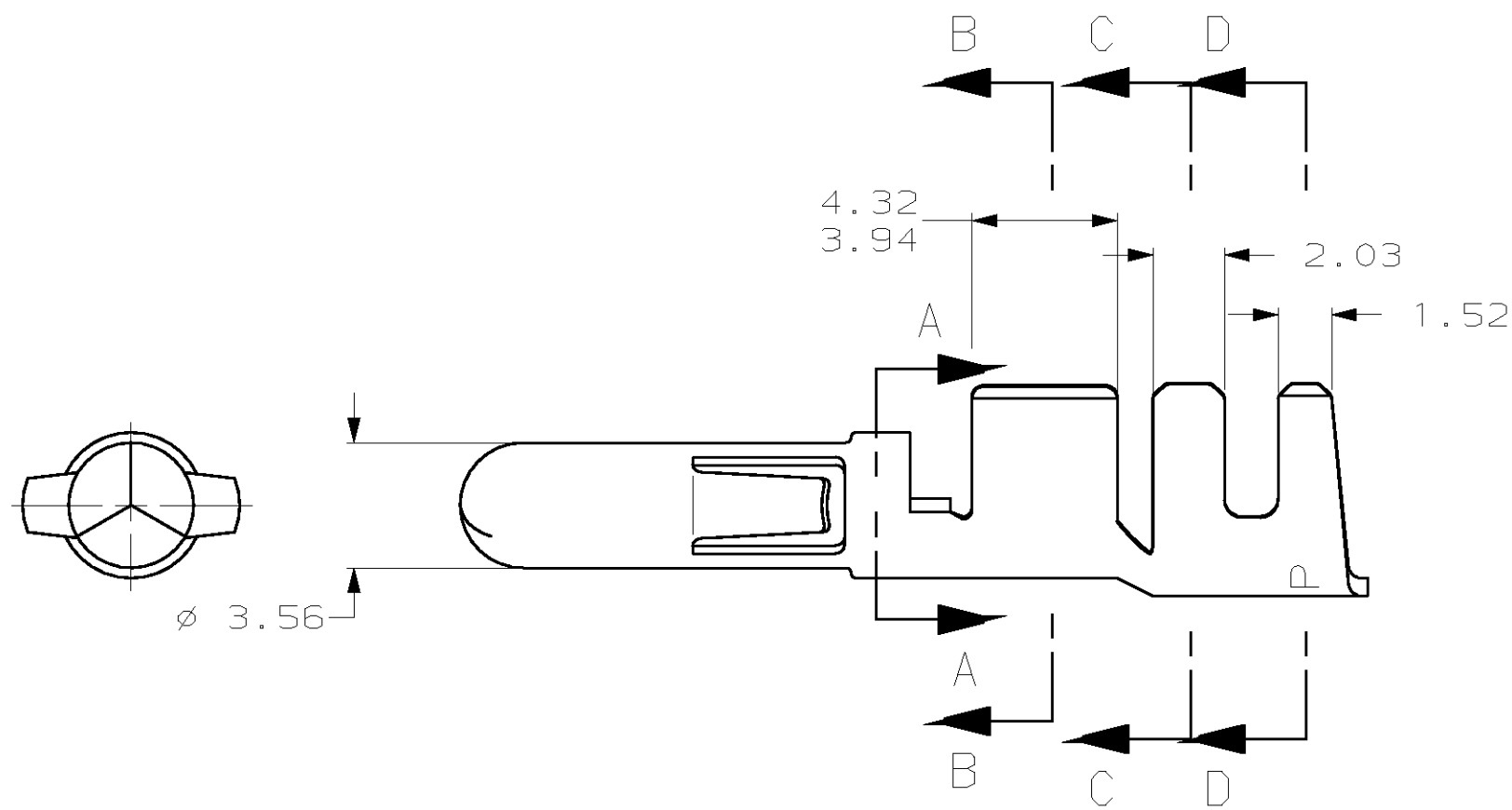
1. WIRE RANGE: 2 - 6 mm<sup>2</sup> (14 - 10 AWG)
2. INSULATION RANGE: 2.54 - 4.57



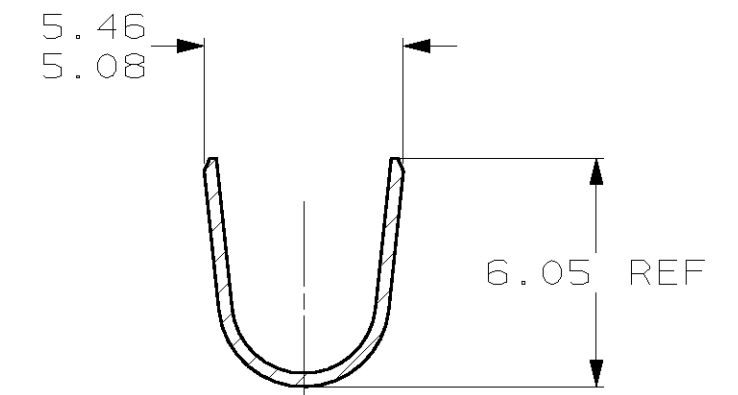
SECTION A-A



SECTION C-C



SECTION B-B



SECTION D-D

PRE TIN	0.36 PH BRZ	350391-2
PRE TIN	0.35 BRASS	350391-1
FINISH	MATERIAL	PART NUMBER

1.52	.060	4.06	.160	5.46	.215	-	-
0.51	.020	3.94	.155	5.08	.200	-	-
0.36	.014	3.56	.140	4.57	.180	25.27	.995
0.35	.014	2.54	.100	4.45	.175	6.05	.238
0.13	.005	2.03	.080	4.32	.170	5.48	.216
MM	IN	MM	IN	MM	IN	MM	IN

CONVERSION TABLE

**METRIC**

THIS DRAWING IS A CONTROLLED DOCUMENT.		DWN	29OCT1998	AMP Incorporated Harrisburg, PA 17105-3608
DIMENSIONS: mm		CHK	29OCT1998	
TOLERANCES UNLESS OTHERWISE SPECIFIED:		APVD	16NOV1998	
0 PLC ±- 1 PLC ±- 2 PLC ±0.13 3 PLC ±- 4 PLC ±- ANGLES ±-		NAME	C. MARTIN	
MATERIAL SEE TABLE		FINISH	SEE TABLE	PIN, LOOSE PIECE, .140 PIN & SOCKET CONNECTOR
CUSTOMER DRAWING		SCALE	5:1	SIZE A2 CAGE CODE 00779 DRAWING NO. C-350391
		SHEET	1 OF 1	RESTRICTED TO
		REV	C	

350391