

CTSLF0745TF Series

From 2.2µH to 1000µH



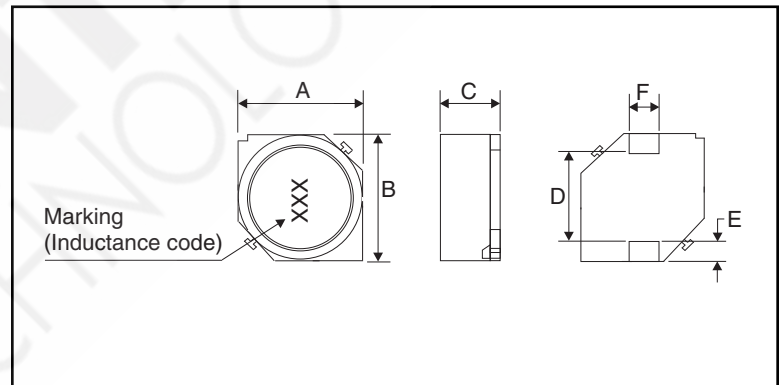
SPECIFICATIONS

Parts are available in ±20% tolerance only.

| Part Numbers | Inductance (µH) | L Test Freq. (kHz) | DCR ±20% (Ω) | Rated DC (A) | Itemp Max. (A) |
|------------------|-----------------|--------------------|--------------|--------------|----------------|
| CTSLF0745TF-2R2M | 2.2 | 100 | 0.033 | 3.2 | 3.2 |
| CTSLF0745TF-3R3M | 3.3 | 1.0 | 0.020 | 2.5 | 2.3 |
| CTSLF0745TF-4R7M | 4.7 | 1.0 | 0.030 | 2.0 | 2.1 |
| CTSLF0745TF-6R8M | 6.8 | 1.0 | 0.039 | 1.7 | 1.74 |
| CTSLF0745TF-100M | 10 | 1.0 | 0.036 | 1.3 | 1.78 |
| CTSLF0745TF-150M | 15 | 1.0 | 0.052 | 1.1 | 1.53 |
| CTSLF0745TF-220M | 22 | 1.0 | 0.061 | 0.90 | 1.34 |
| CTSLF0745TF-330M | 33 | 1.0 | 0.096 | 0.82 | 1.09 |
| CTSLF0745TF-470M | 47 | 1.0 | 0.125 | 0.75 | 0.92 |
| CTSLF0745TF-680M | 68 | 1.0 | 0.20 | 0.60 | 0.77 |
| CTSLF0745TF-101M | 100 | 1.0 | 0.25 | 0.50 | 0.65 |
| CTSLF0745TF-151M | 150 | 1.0 | 0.48 | 0.40 | 0.55 |
| CTSLF0745TF-221M | 220 | 1.0 | 0.85 | 0.33 | 0.45 |
| CTSLF0745TF-331M | 330 | 1.0 | 1.10 | 0.25 | 0.37 |
| CTSLF0745TF-471M | 470 | 1.0 | 1.05 | 0.22 | 0.31 |
| CTSLF0745TF-681M | 680 | 1.0 | 2.08 | 0.20 | 0.27 |
| CTSLF0745TF-102M | 1000 | 1.0 | 2.28 | 0.14 | 0.25 |

PHYSICAL DIMENSIONS

| Size | A | B | C | D Typ. | E Typ. | F Typ. |
|--------|------------|------------|------------|-----------|-----------|-----------|
| mm | 7±0.2 | 7±0.2 | 4.5±0.3 | 4.9 | 0.9 | 2.0 |
| inches | 0.28±0.008 | 0.28±0.008 | 0.18±0.012 | 0.193 | 0.035 | 0.079 |



CHARACTERISTICS

- Description:** SMD (shielded) power inductor
- Applications:** For power source circuits, low profile type DC/DC converters, DC/AC inverters, etc.
- Operating Temperature:** -20°C to +85°C
- Inductance Tolerance:** ±20%
- Testing:** Inductance is tested on a HP4284A at specified frequency
- IDC Current:** Value obtained when DC current flows and the initial value of inductance has fallen by 10%
- Itemp Current:** Value obtained when current flows and the temperature has risen 20°C
- Packaging:** Tape & Reel
- Marking:** Parts are marked with inductance code
- Miscellaneous:** RoHS Compliant. Magnetically shielded
- Additional Information:** Additional electrical & physical information available upon request
- Samples available. See website for ordering information.**

PAD LAYOUT

