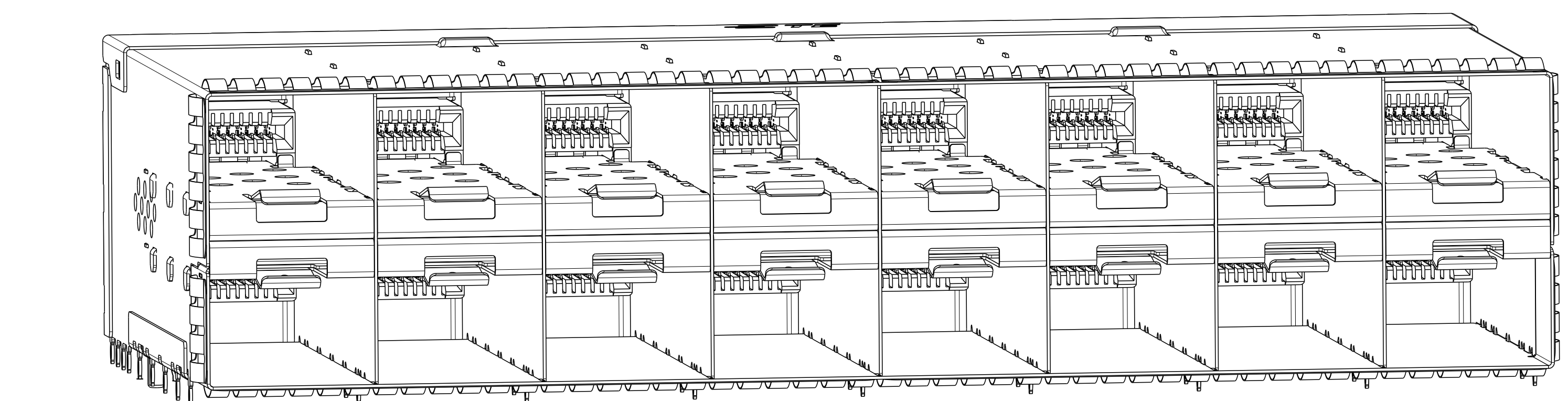
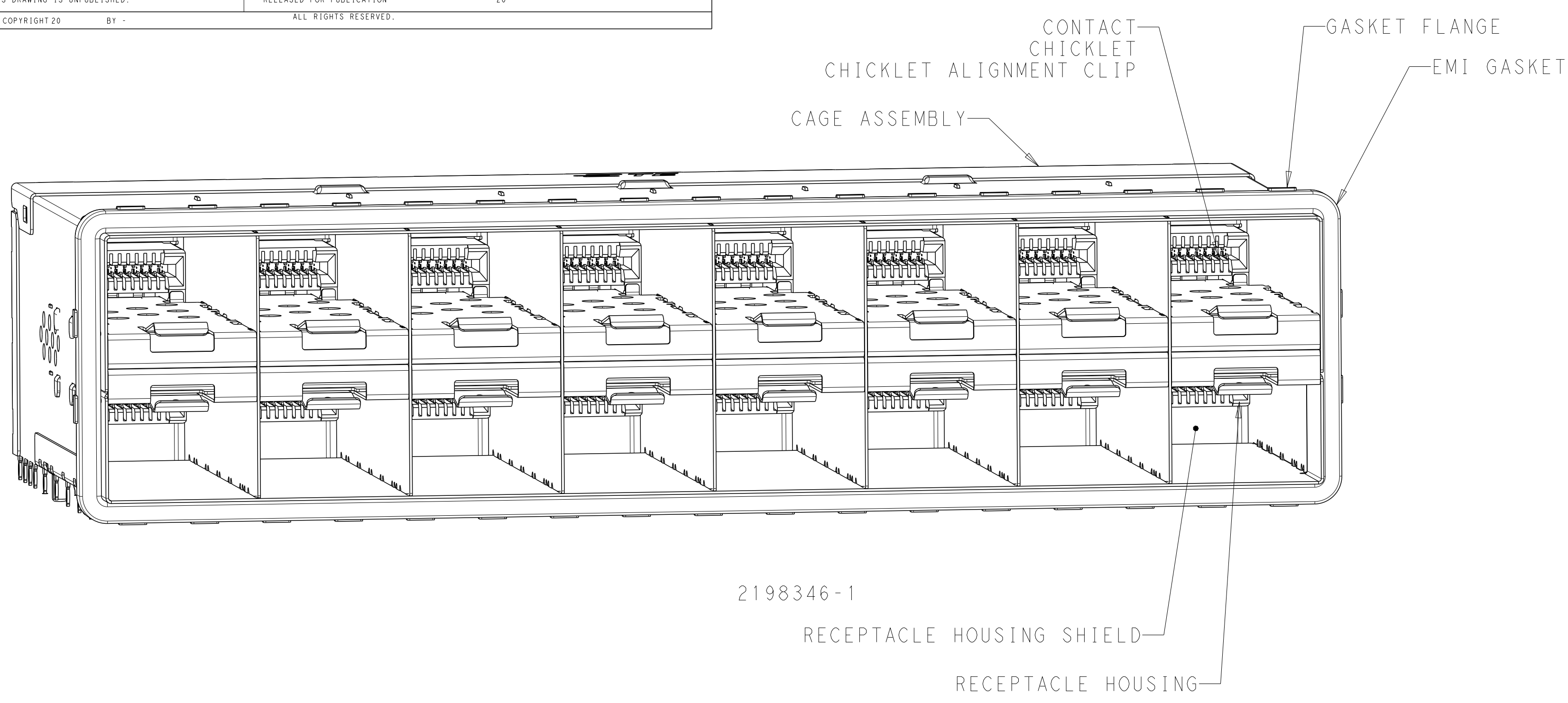
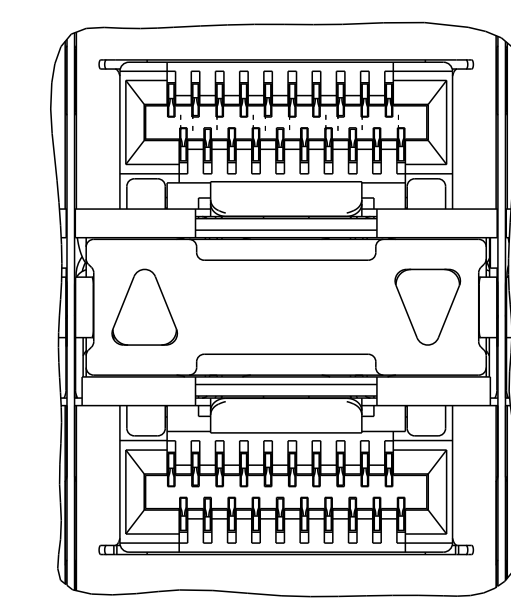
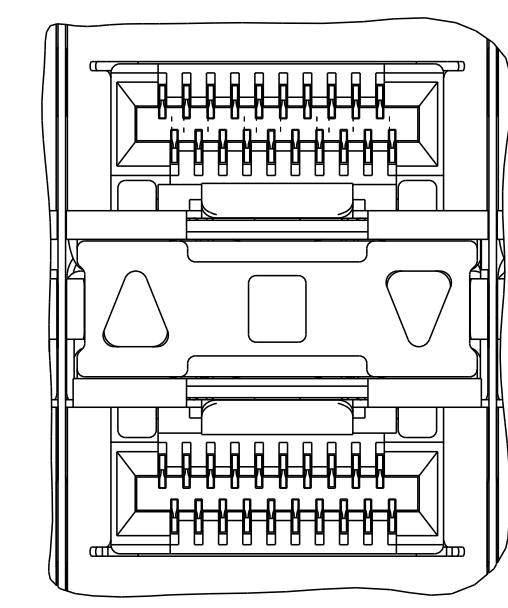
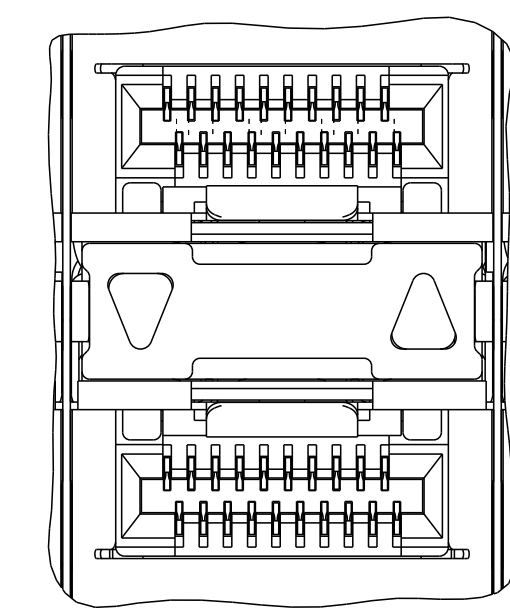
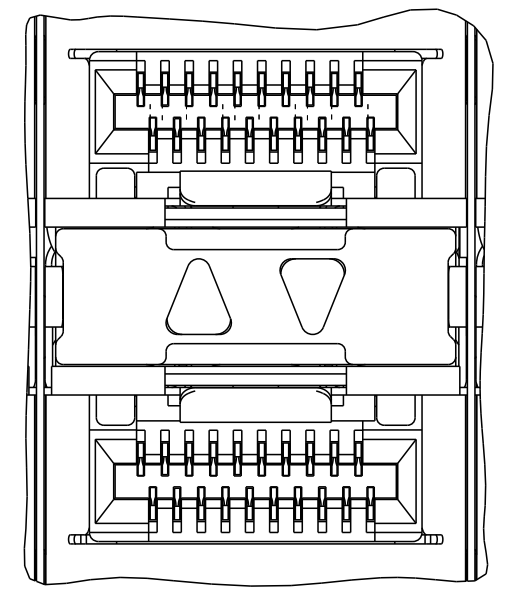
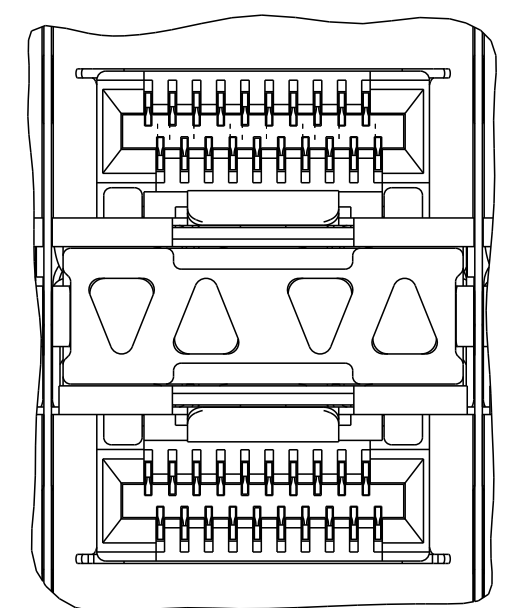


LOC		DIST		REVISIONS			
GP	00	P	LYN	DESCRIPTION	DATE	OWN	APVD
		C		REVISED PER ECO-20-014521	13OCT2020	JY	SH
		C1		REVISED PER ECN-22-166164	26JUL2022	IT	SZ



- MATERIALS:**
 CAGE ASSEMBLY - NICKEL-SILVER ALLOY PER ASTM B 122
 CONNECTOR HOUSING - LCP, BLACK, UL 94V-0 RATED
 CONNECTOR HOUSING SHIELD - COPPER ALLOY
 CHICKLET - LCP, BLACK, UL 94V-0 RATED
 CHICKLET ALIGNMENT CLIP - PBT
 CONTACT - COPPER ALLOY
 EMI GASKET - ELASTOMERIC
 GASKET FLANGE - STAINLESS STEEL
 EMI SPRINGS - PHOSPHOR BRONZE PER ASTM B 103,
 0.8µm MIN TIN PER ASTM B 545
 LIGHT PIPE - POLYCARBONATE
 LIGHT PIPE HOUSING - ZINC ALLOY
 - CONTACT FINISH:**
 0.76µm MIN GOLD PER ASTM B 844 AT MATING INTERFACE,
 1.25µm MIN MATTE TIN PER ASTM B 545 AT PCB INTERFACE
 ALLOVER 2.54µm MIN NICKEL PER QQ-N-290.
 - PCB MINIMUM THICKNESS = 1.5mm
- △ FOR HOLE SIZE AND PLATINGS,
SEE APPLICATION SPECIFICATION 114-13319
- △ LIGHT PIPE PAD LAYOUT IS FOR 0805 LOW PROFILE
LED PACKAGE WITH A HEIGHT OF 0.8mm
- △ DIMENSIONS APPLY FOR EMI SPRINGS ONLY
- △ THE ENTIRE AREA OF THE CONNECTOR FOOTPRINT,
INDICATED BY THE DASHED LINE, TO BE CONSIDERED
THE KEEPOUT AREA FOR COMPONENTS AND SIGNAL TRACES,
TOP SIDE ONLY, TOP SIDE TRACES ALLOWED WITHIN
CONNECTOR HOLE PATTERN
- △ THE DIMENSIONS APPLY TO 4-2198346-0 ONLY.



INNER/OUTER LIGHT PIPE
2198346-2, 2198346-6
SCALE 4:1

INNER LIGHT PIPE
2198346-3, 2198346-7
4-2198346-0
SCALE 4:1

OUTER LIGHT PIPES
2198346-4, 2198346-8
SCALE 4:1

CENTER/REVERSED OUTER LIGHT PIPES
1-2198346-7, 1-2198346-9
SCALE 4:1

REVERSED OUTER LIGHT PIPES
1-2198346-8, 2-2198346-0
SCALE 4:1

116.5	THERMAL HOLE TOP SURFACE	INNER	4-2198346-0
116.5	EMI SPRINGS, TAPE AIRFLOW ENHANCE TYPE	NONE	3-2198346-3
119.25	EMI GASKET LOW PROFILE FLANGE	INNER	3-2198346-2
116.5	EMI SPRINGS AIRFLOW ENHANCE TYPE	NONE	3-2198346-1
119.25	EMI GASKET AIRFLOW ENHANCE TYPE	NONE	3-2198346-0
116.5	EMI SPRINGS	REVERSED OUTER	2-2198346-0
		CENTER/REVERSED OUTER	1-2198346-9
119.25	EMI GASKET	REVERSED OUTER	1-2198346-8
		CENTER/REVERSED OUTER	1-2198346-7
116.5	EMI SPRING WITH NICKEL PLATING ONLY	OUTER	1-2198346-2
		INNER	1-2198346-1
		INNER/OUTER	1-2198346-0
116.5	EMI SPRINGS	NONE	2198346-9
		OUTER	2198346-8
		INNER	2198346-7
119.25	EMI GASKET	INNER/OUTER	2198346-6
		NONE	2198346-5
		OUTER	2198346-4
(E)	CAGE TYPE	INNER	2198346-3
		INNER/OUTER	2198346-2
		NONE	2198346-1

THIS DRAWING IS A CONTROLLED DOCUMENT. OWN: M.E. CONNER 09DEC2011
 CHK: M.D. MORRISON 13DEC2011
 APVD: M.D. MORRISON 13DEC2011

STE TE Connectivity

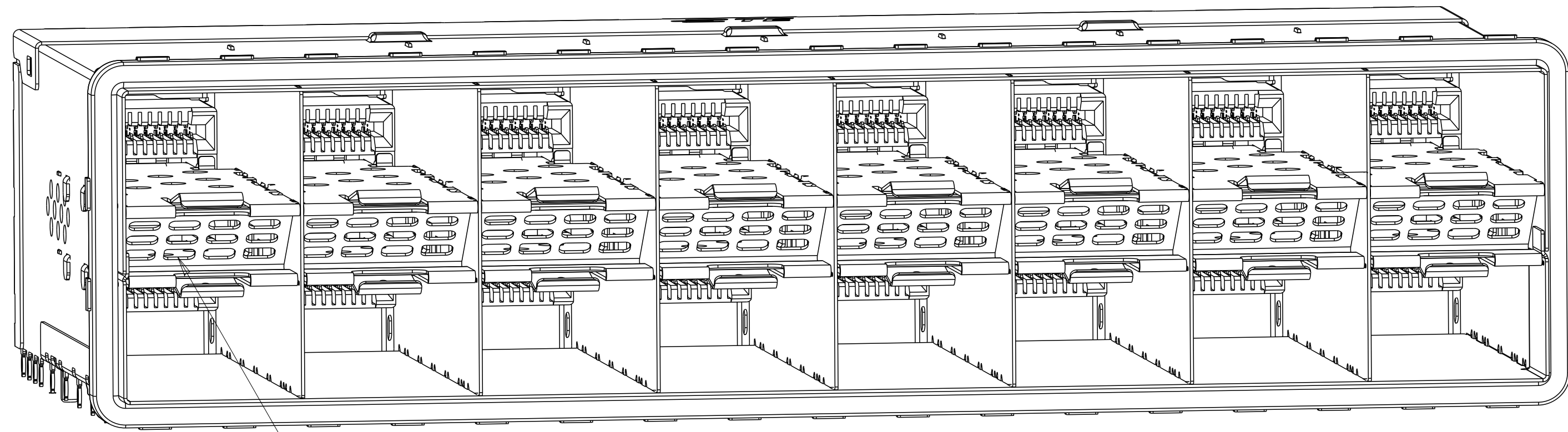
NAME: RECEPTACLE ASSEMBLY, 2X8, STACKED, zSFP+

PRODUCT SPEC: 108-2481
 APPLICATION SPEC: 114-13319

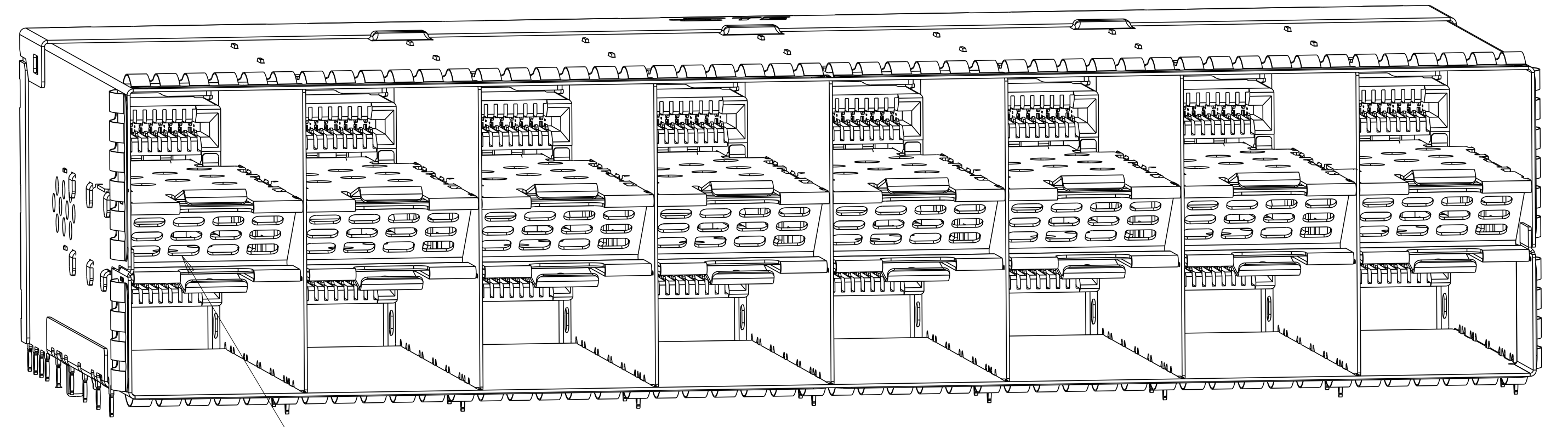
SIZE: A1 00779 C=2198346
 SCALE: 3:1 SHEET 1 OF 7 REV: C1

LOC	DIST	REVISIONS			
P	LTR	DESCRIPTION	DATE	OWN	APVD
rev_sym_1	18E6	8H6E111	rev_defect	y_dmn	lapp
rev_sym_2	rev_desc_2		rev_defect	y_dmn	lapp
rev_sym_3	rev_desc_3		rev_defect	y_dmn	lapp
rev_sym_4	rev_desc_4		rev_defect	y_dmn	lapp

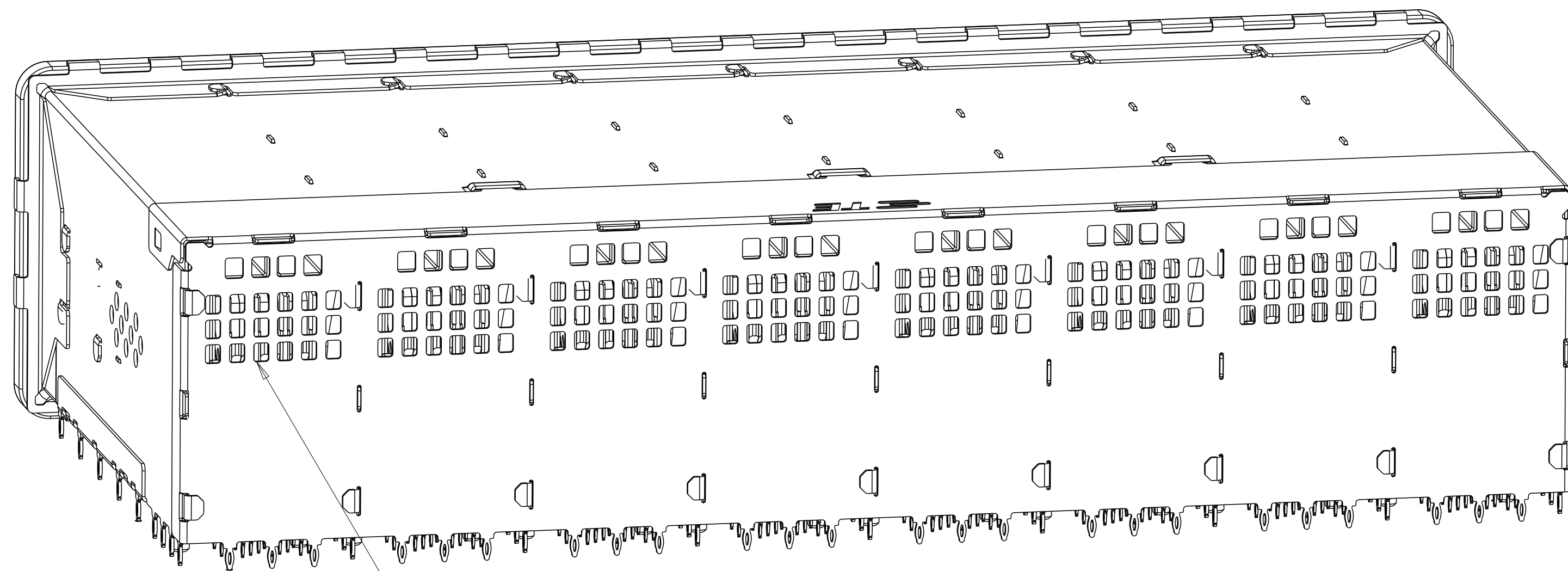
AIRFLOW ENHANCE TYPE



AIR VENTS

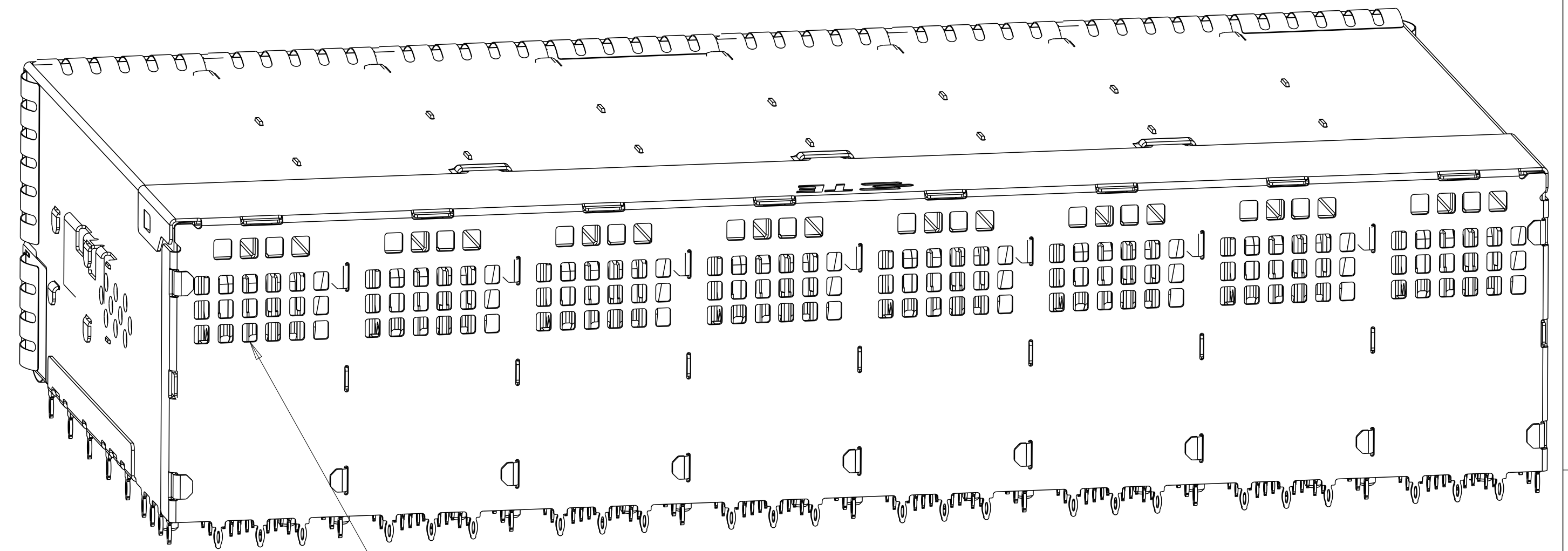


AIR VENTS



AIR VENTS

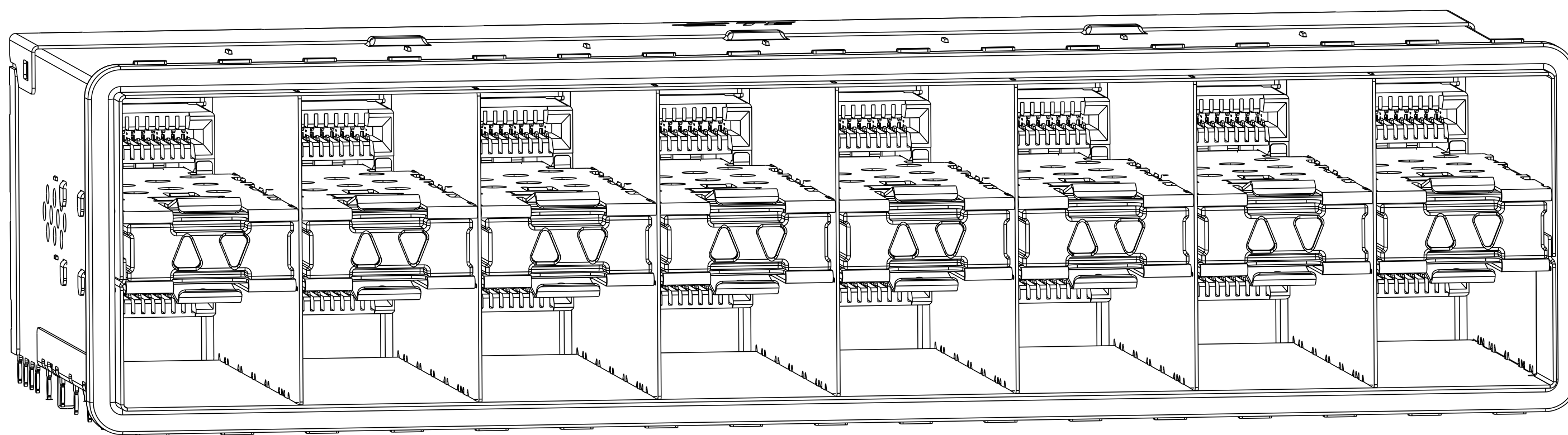
3-2198346-0
EMI GASKET TYPE



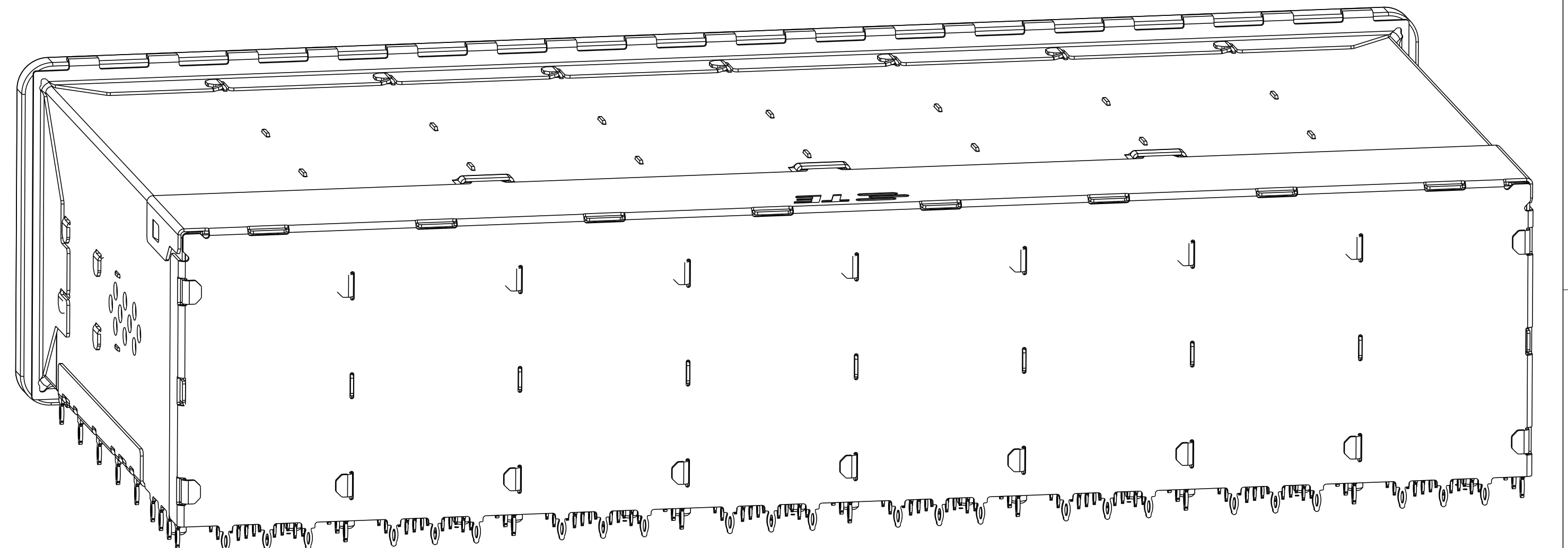
AIR VENTS

3-2198346-1
EMI SPRING TYPE

EMI GASKET TYPE
WITH LOW PROFILE FLANGE



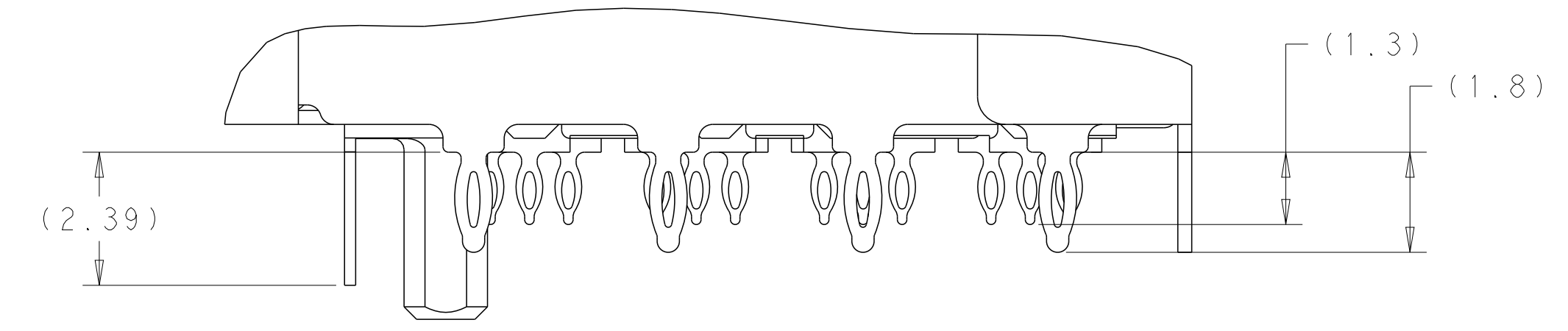
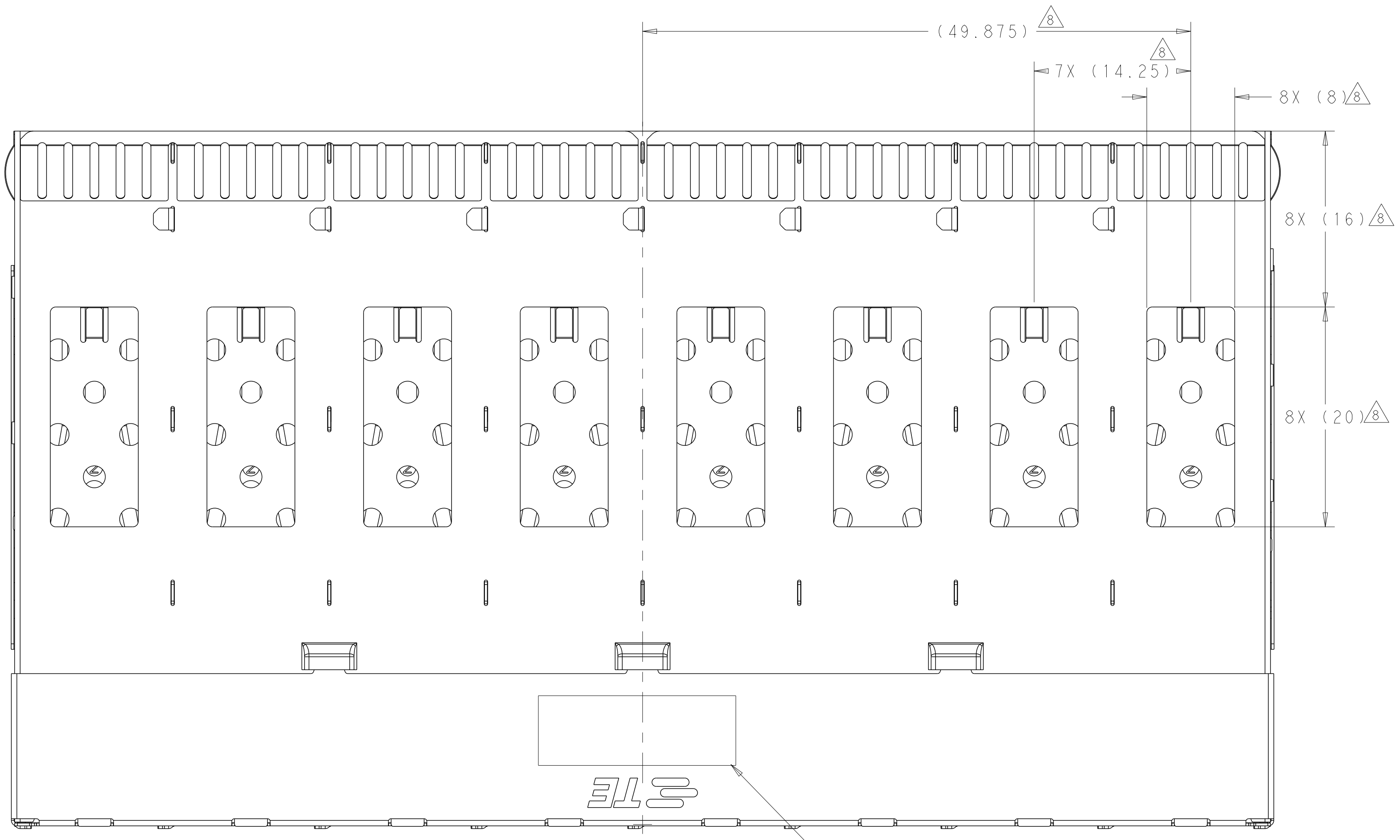
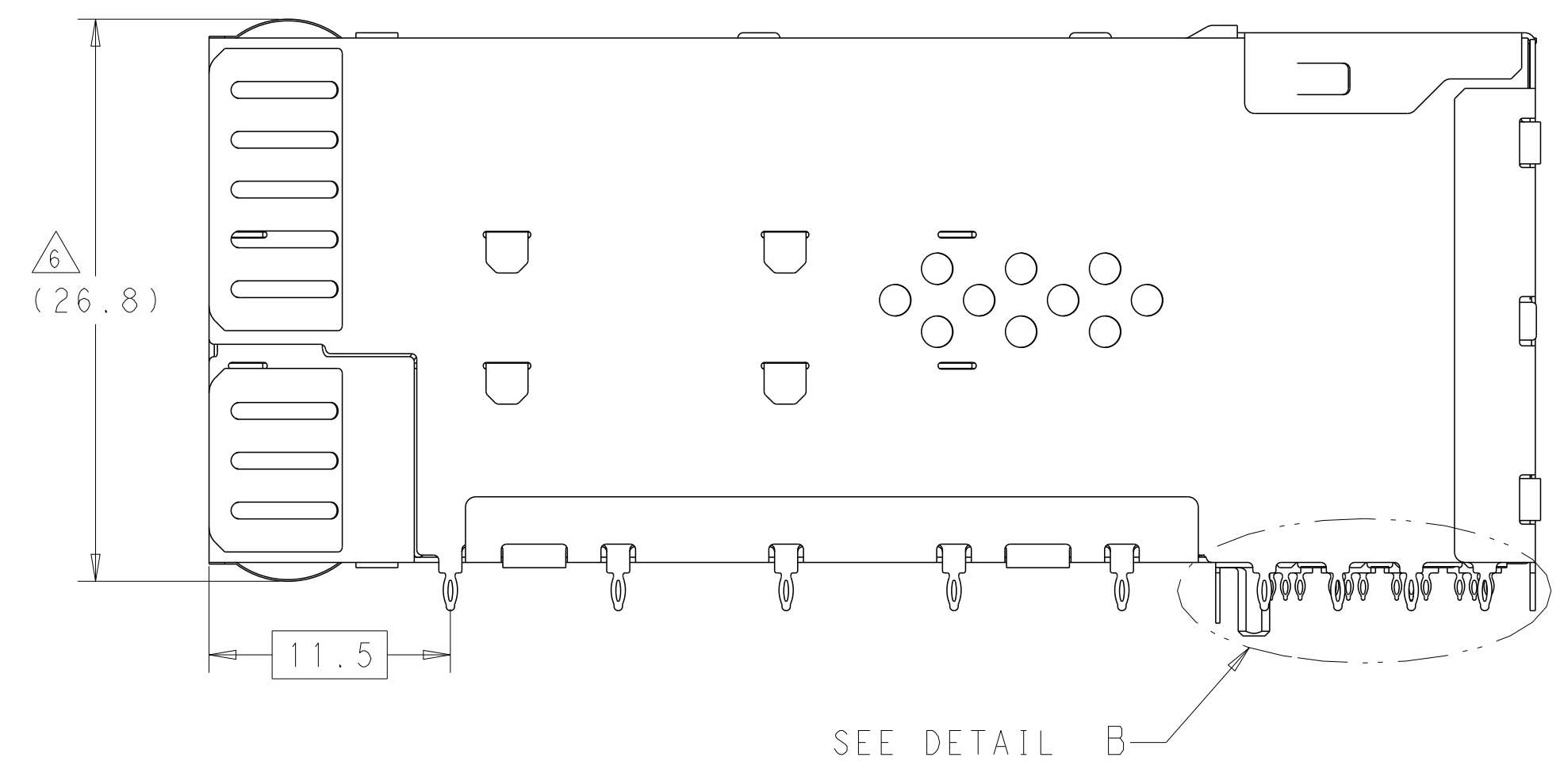
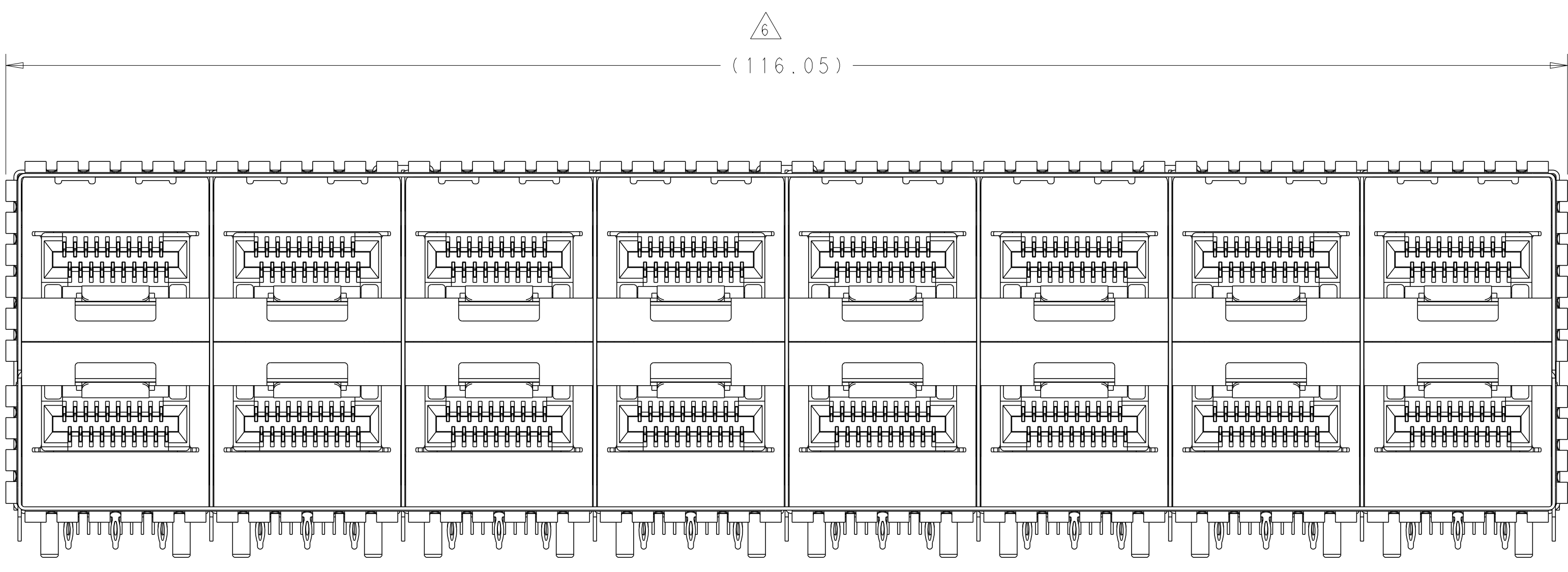
3-2198346-2



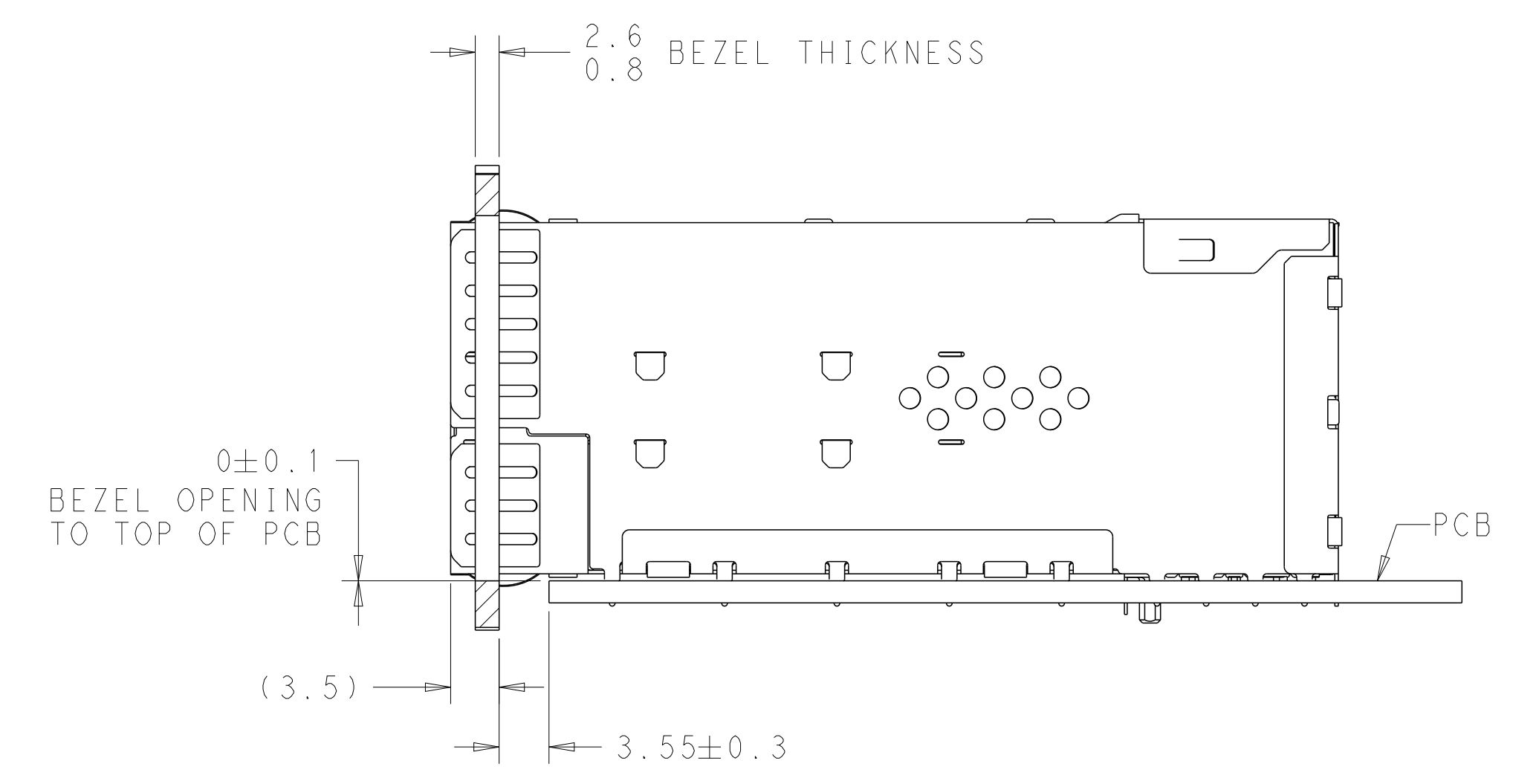
THIS DRAWING IS A CONTROLLED DOCUMENT.		OWN M. E. CONNER	09DEC2011	TE Connectivity
DIMENSIONS:		CHK M. D. MORRISON	13DEC2011	
mm	0 PLC ±	APVD M. D. MORRISON	13DEC2011	NAME RECEPTACLE ASSEMBLY, 2X8, STACKED, 2SFP+
	1 PLC ±0.20	PRODUCT SPEC	108-2481	
	2 PLC ±0.15	APPLICATION SPEC	114-13319	SIZE
	3 PLC ±0.10	FINISH		CAGE CODE
	4 PLC ±	WEIGHT		DRAWING NO
MATERIAL	SEE NOTES	Customer Drawing		RESTRICTED TO
	SEE NOTES			A100779
				C=2198346
				SCALE 3:1 SHEET 2 OF 7 REV C1

2198346-5 THRU 1-2198346-2, 1-2198346-9, 2-2198346-0, 4-2198346-0
 EMI SPRINGS ONLY

LOC	DIST	REV	DATE	BY	APPV
		1			
		2			
		3			
		4			



DETAIL B
 SCALE 10:1

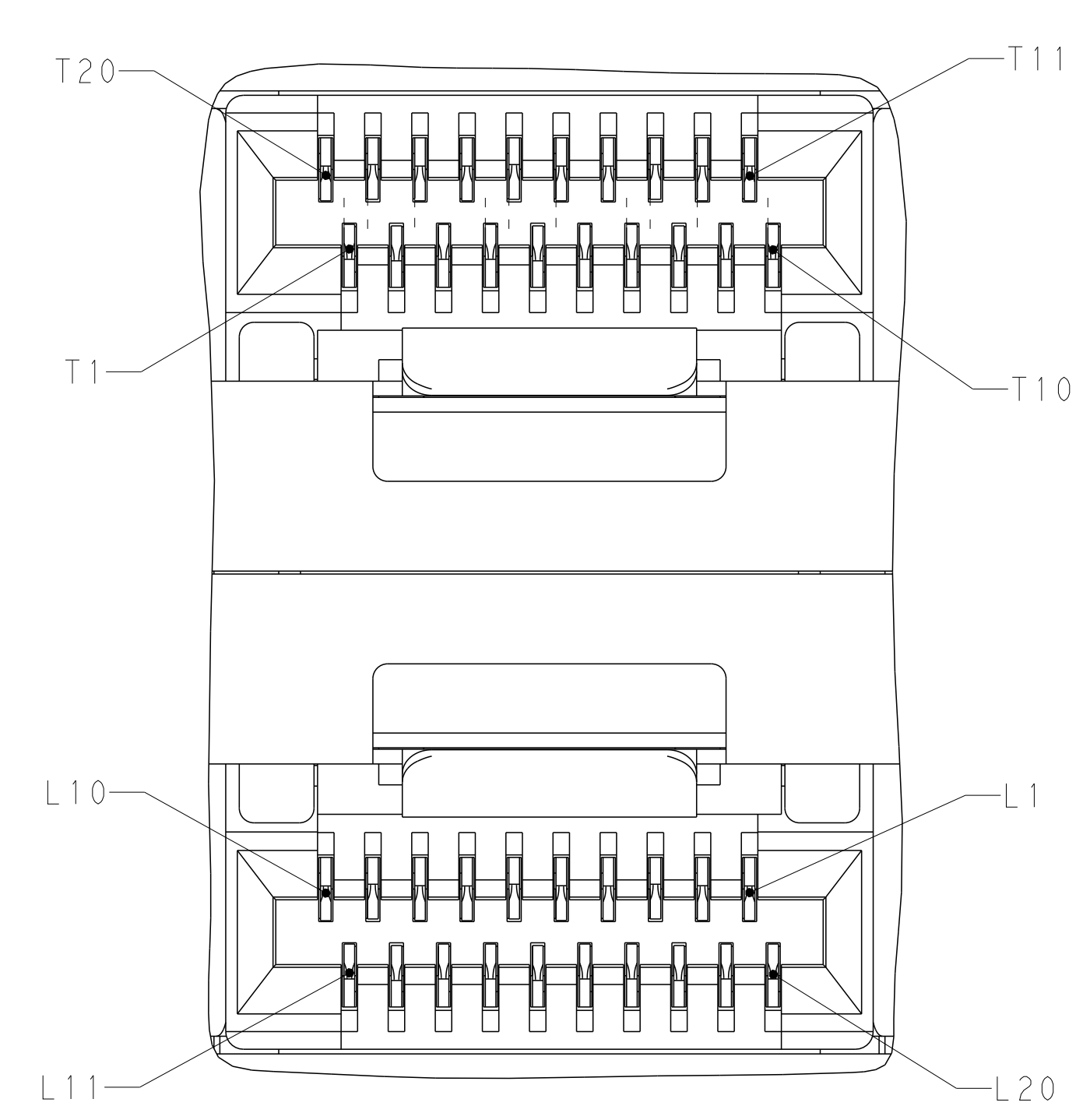
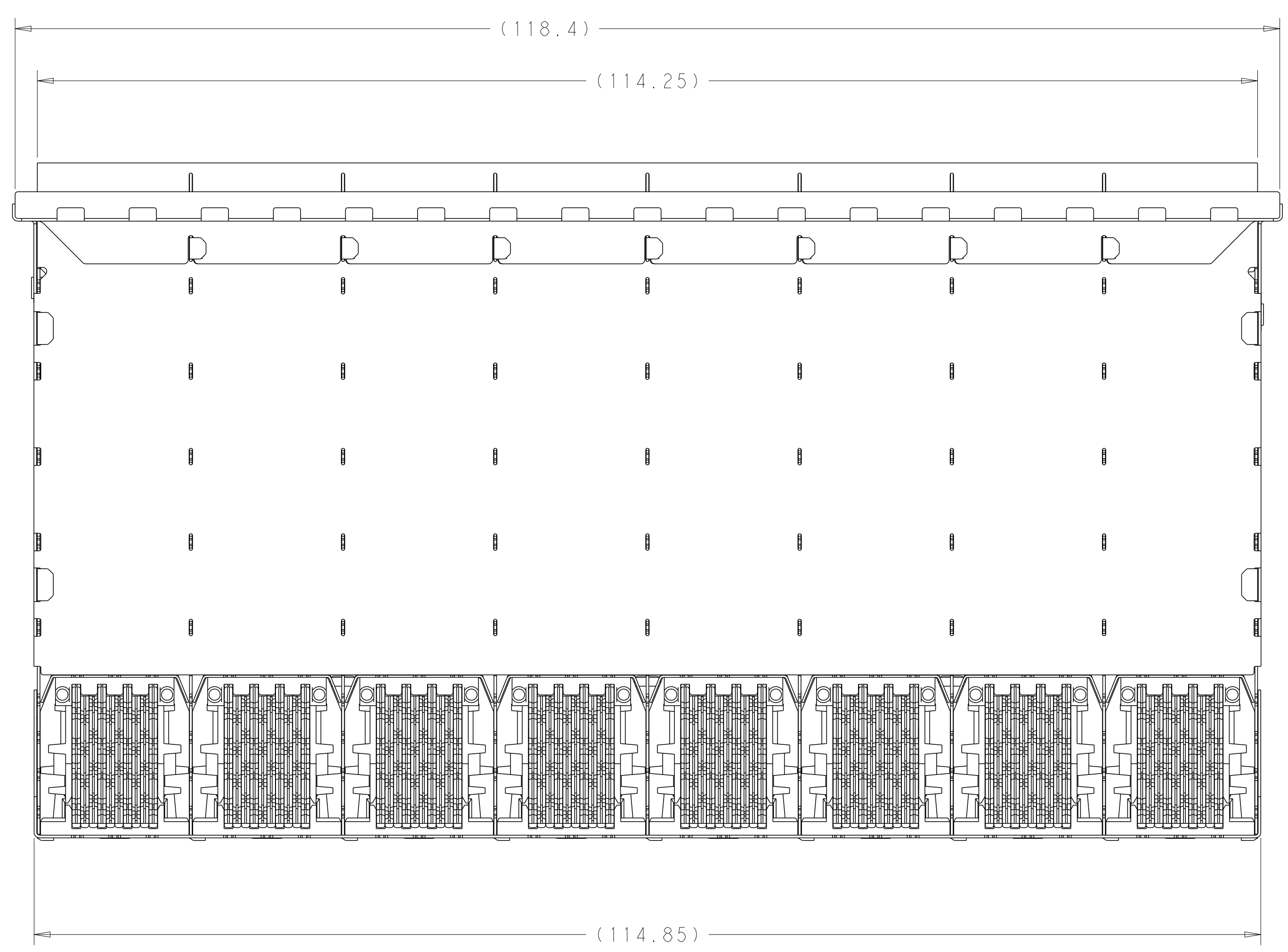
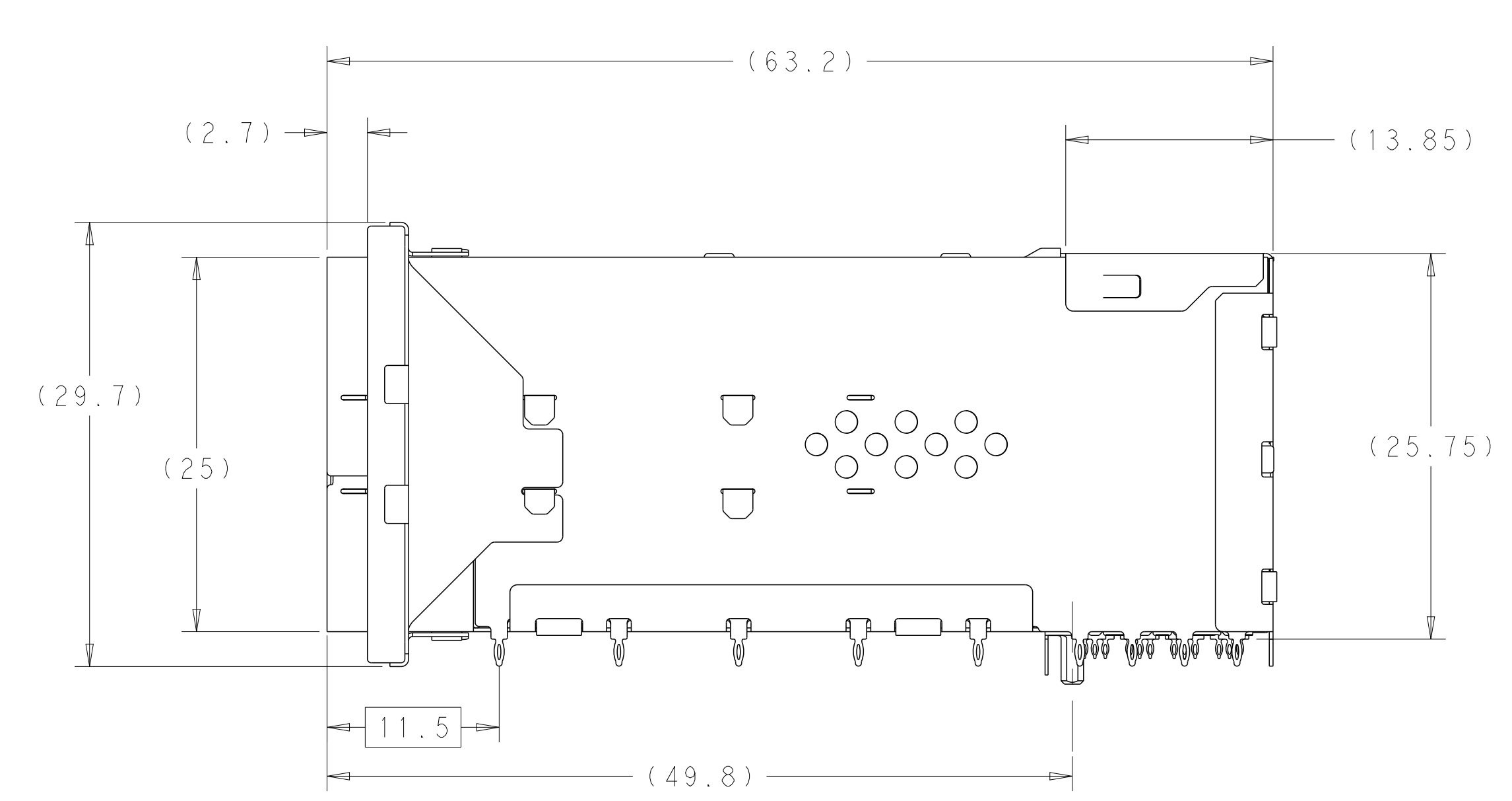
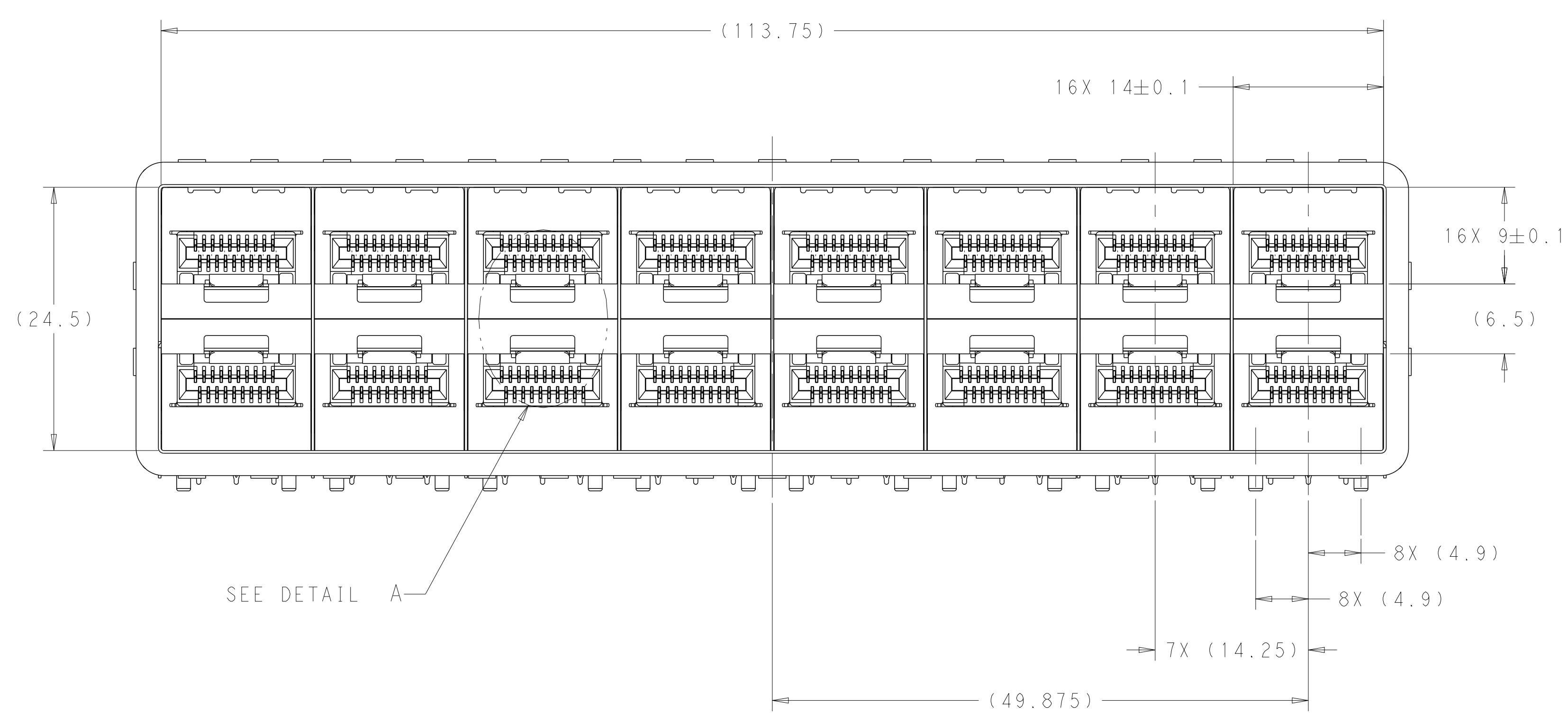


RECOMMENDED BEZEL LOCATION WITH EMI SPRINGS
 SCALE 5:2

LASER MARK DATE CODE AND PART NUMBER
 IN APPROXIMATE LOCATION SHOWN

THIS DRAWING IS A CONTROLLED DOCUMENT.		OWN: M. E. CONNER 09DEC2011	TE Connectivity
DIMENSIONS: mm		CHK: M. D. MORRISON 13DEC2011	
TOLERANCES UNLESS OTHERWISE SPECIFIED:		APV: M. D. MORRISON 13DEC2011	NAME: RECEPTACLE ASSEMBLY, 2X8, STACKED, zSFP+
0 PLC ±.20		PRODUCT SPEC: 108-2481	
1 PLC ±0.15		APPLICATION SPEC: 114-13319	SIZE: CAGE CODE DRAWING NO: A100779 WEIGHT: - SCALE: 3:1 SHEET 3 OF 7 REV: C1
2 PLC ±0.10		Customer Drawing	
3 PLC ±.08			
4 PLC ±.05			
ANGLES: °			
FINISH: ±.005			

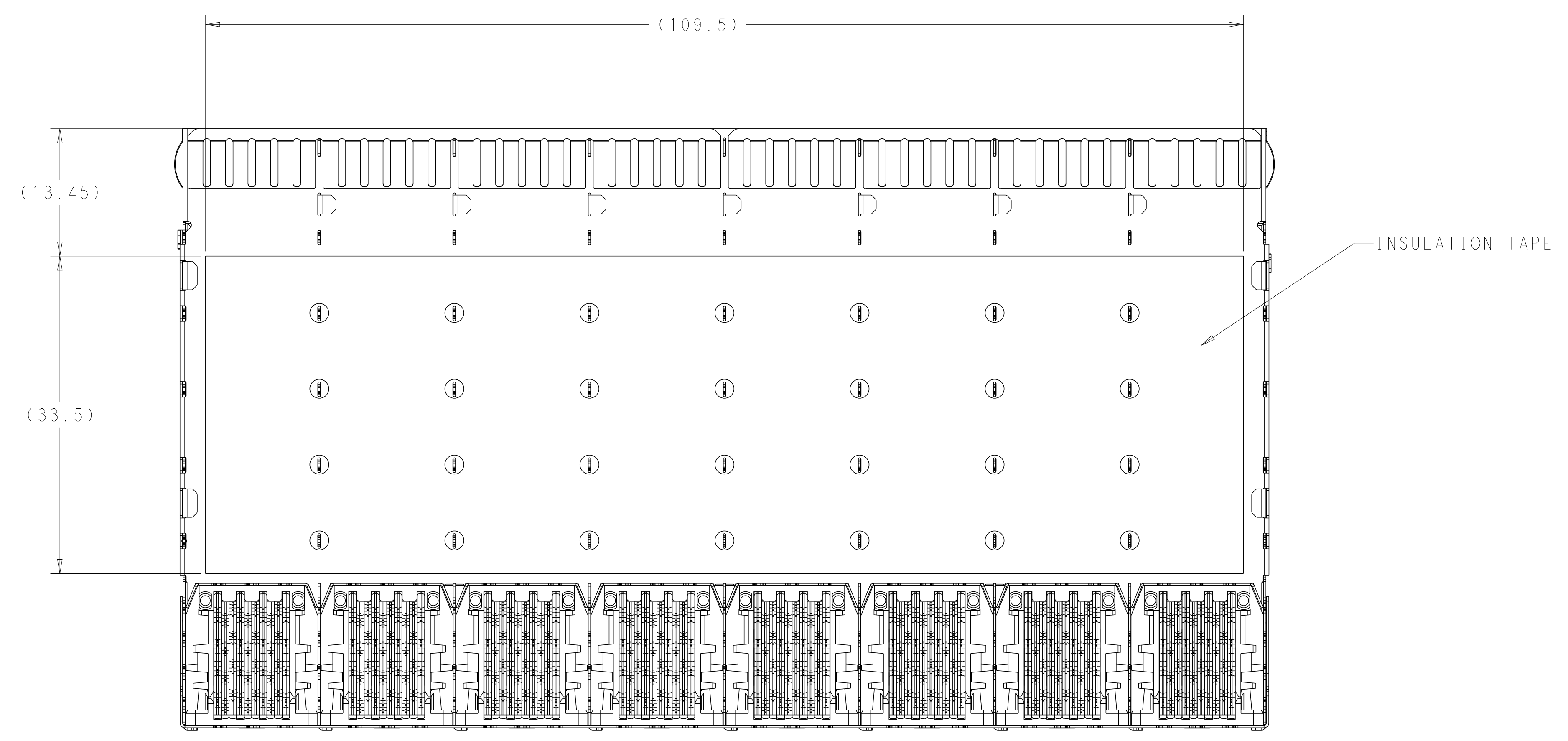
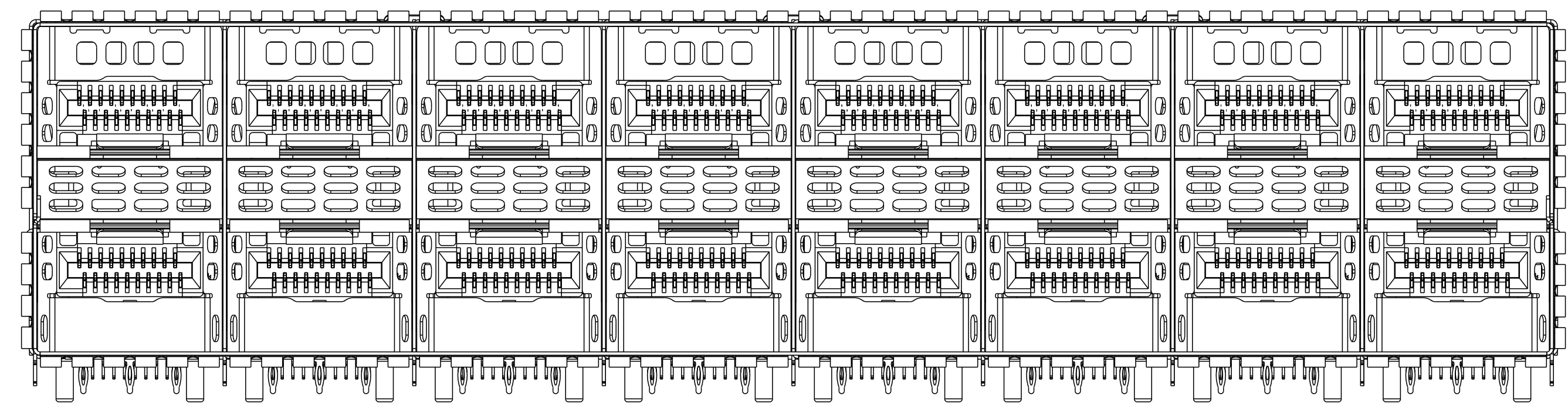
LOC	DIST	REVISIONS			
P	LTR	DESCRIPTION	DATE	DMN	APVD
rev_sym_1	18E6	8H6E111	rev_date1	dmn_1	apvr_1
rev_sym_2	rev_desc_2		rev_date2	dmn_2	apvr_2
rev_sym_3	rev_desc_3		rev_date3	dmn_3	apvr_3
rev_sym_4	rev_desc_4		rev_date4	dmn_4	apvr_4



THIS DRAWING IS A CONTROLLED DOCUMENT.		DMN: M.E. CONNER 09DEC2011	TE Connectivity
DIMENSIONS: mm		CHK: M.D. MORRISON 13DEC2011	
TOLERANCES UNLESS OTHERWISE SPECIFIED:		APVD: M.D. MORRISON 13DEC2011	NAME: RECEPTACLE ASSEMBLY, 2X8, STACKED, zSFP+
0 PLC ±0.20	1 PLC ±0.15	PRODUCT SPEC: 108-2481	SIZE: CAGE CODE: DRAWING NO: A100779
2 PLC ±0.10	3 PLC ±0.10	APPLICATION SPEC: 114-13319	RESTRICTED TO: -
4 PLC ±0.10	ANGLES ±0.5°	WEIGHT: -	SCALE: 3:1
MATERIAL: SEE NOTES	FINISH: SEE NOTES	Customer Drawing	SHEET 4 OF 7
		Customer Drawing	REV: C1

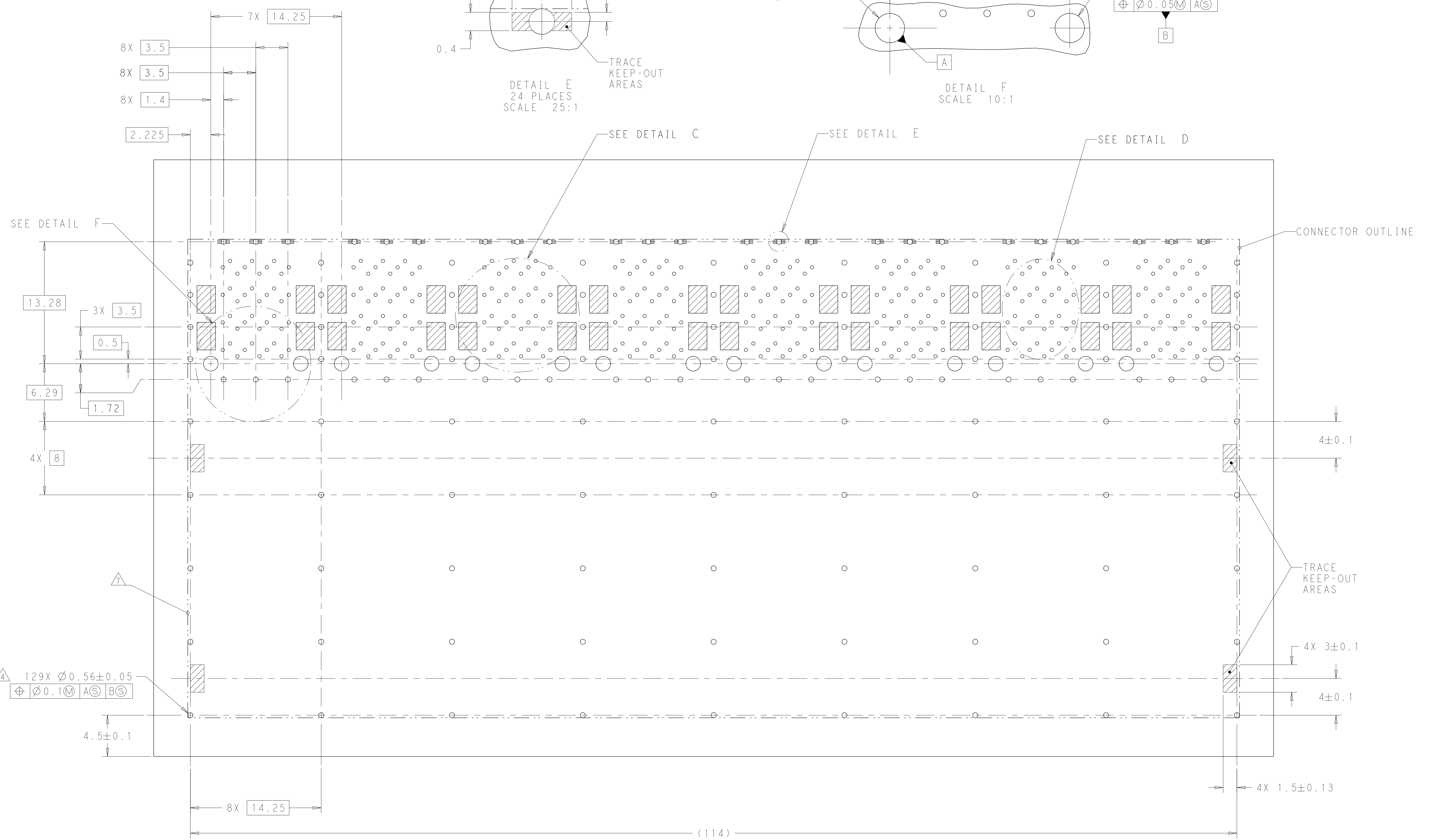
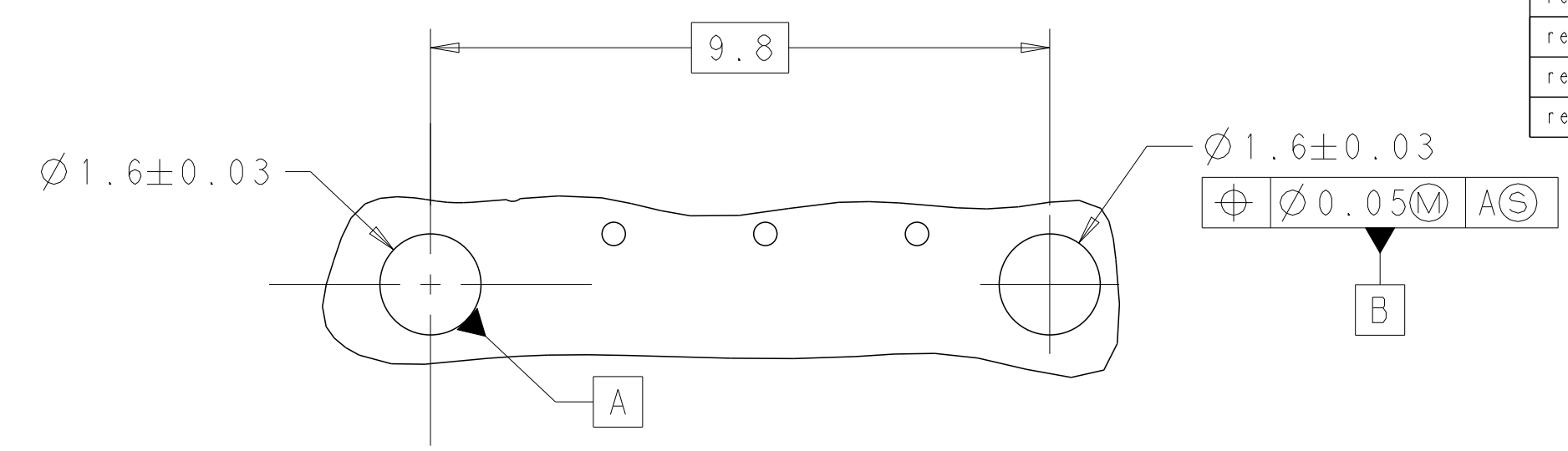
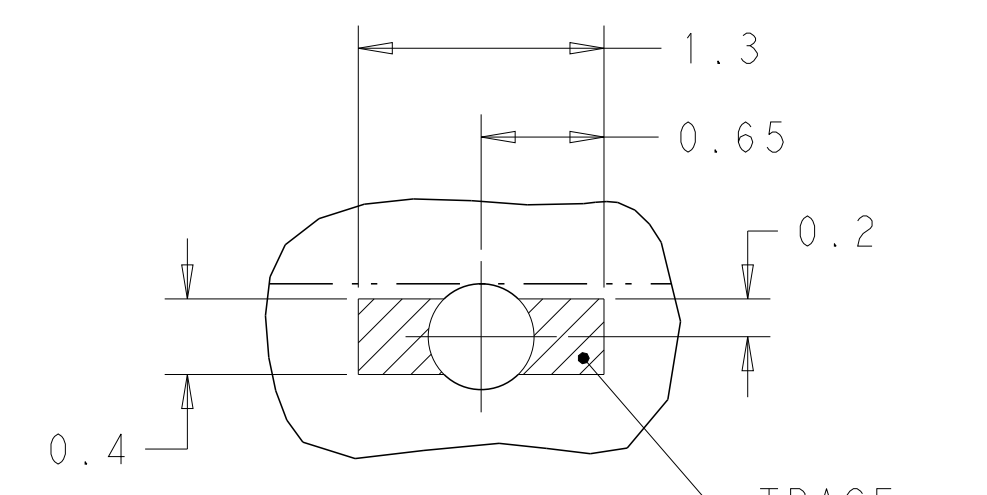
LOC	DIST	REVISIONS			
P	LTN	DESCRIPTION	DATE	DWN	APVD
rev_sym_1	1866_8H6E111			rev_defect	dmv_bppr_1
rev_sym_2	rev_desc_2			rev_defect	dmv_bppr_2
rev_sym_3	rev_desc_3			rev_defect	dmv_bppr_3
rev_sym_4	rev_desc_4			rev_defect	dmv_bppr_4

3-2198346-3
 UNMARKED DIMENSIONS SAME AS 3-2198346-1



THIS DRAWING IS A CONTROLLED DOCUMENT.		DWN: M.E. CONNER 09DEC2011	TE Connectivity NAME: RECEPTACLE ASSEMBLY, 2X8, STACKED, zSFP+ PRODUCT SPEC: 108-2481 APPLICATION SPEC: 114-13319
DIMENSIONS: mm		CHK: M.D. MORRISON 13DEC2011	
0 PLC ±.0 1 PLC ±.25 2 PLC ±.25 3 PLC ±.25 4 PLC ±.25 ANGLES ±.0 FINISH ±.0		APVD: M.D. MORRISON 13DEC2011	
MATERIAL: SEE NOTES		WEIGHT: -	
TOLERANCES UNLESS OTHERWISE SPECIFIED:		SIZE: A1	CAGE CODE: 00779
SEE NOTES		DRAWING NO: C=2198346	RESTRICTED TO: -
Customer Drawing		SCALE: 3:1	SHEET 5 OF 7 REV: C1

LOC	DIST	REVISIONS			
P.	LTR.	DESCRIPTION	DATE	DMN	APVD
rev_sym_1	18E6	8H6E111		rev_defect	dmn_bppr_1
rev_sym_2	rev_desc_2			rev_defect	dmn_bppr_2
rev_sym_3	rev_desc_3			rev_defect	dmn_bppr_3
rev_sym_4	rev_desc_4			rev_defect	dmn_bppr_4

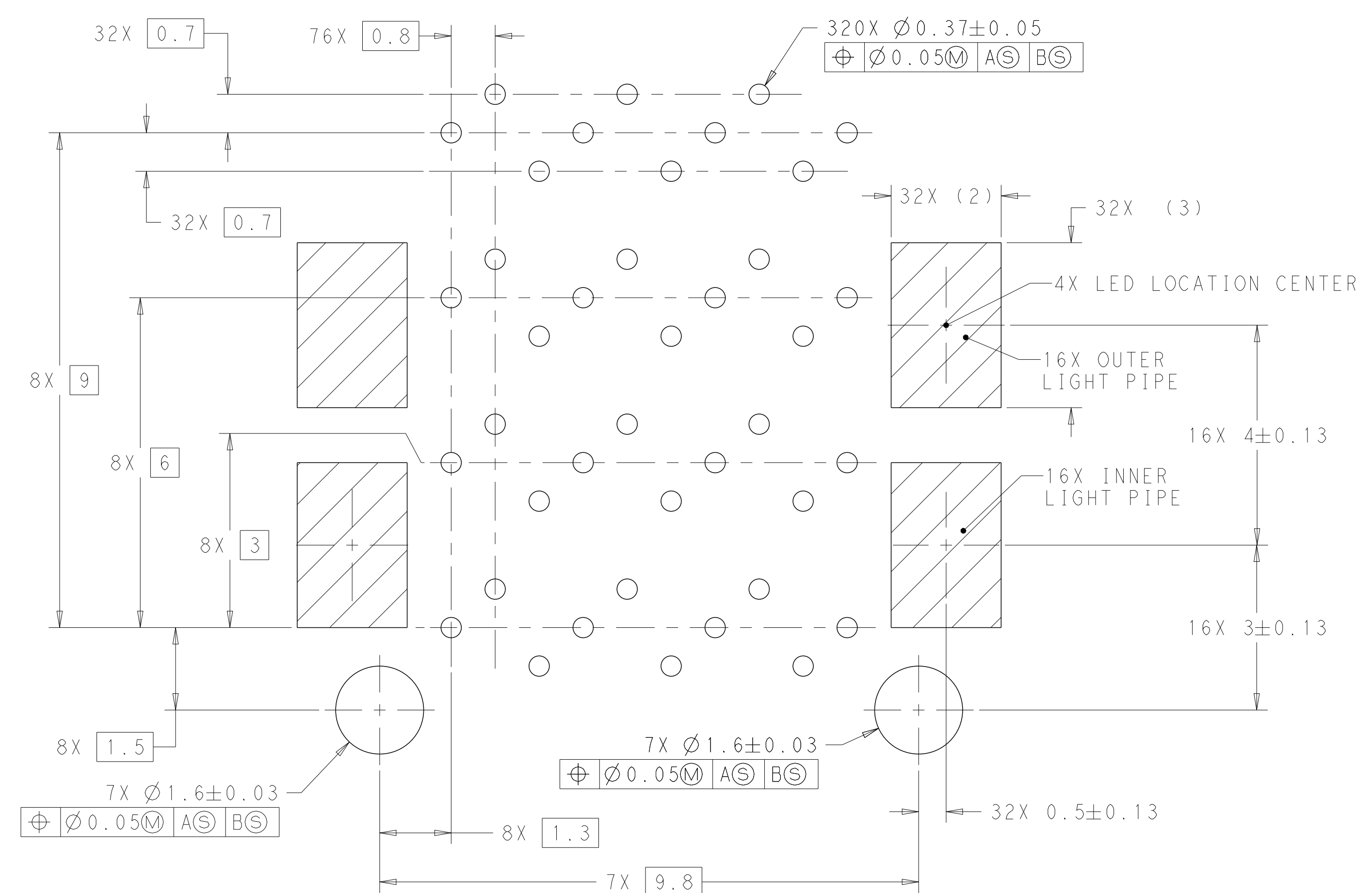


129X $\varnothing 0.56 \pm 0.05$
 $\oplus \varnothing 0.1 M A \textcircled{S} B \textcircled{S}$

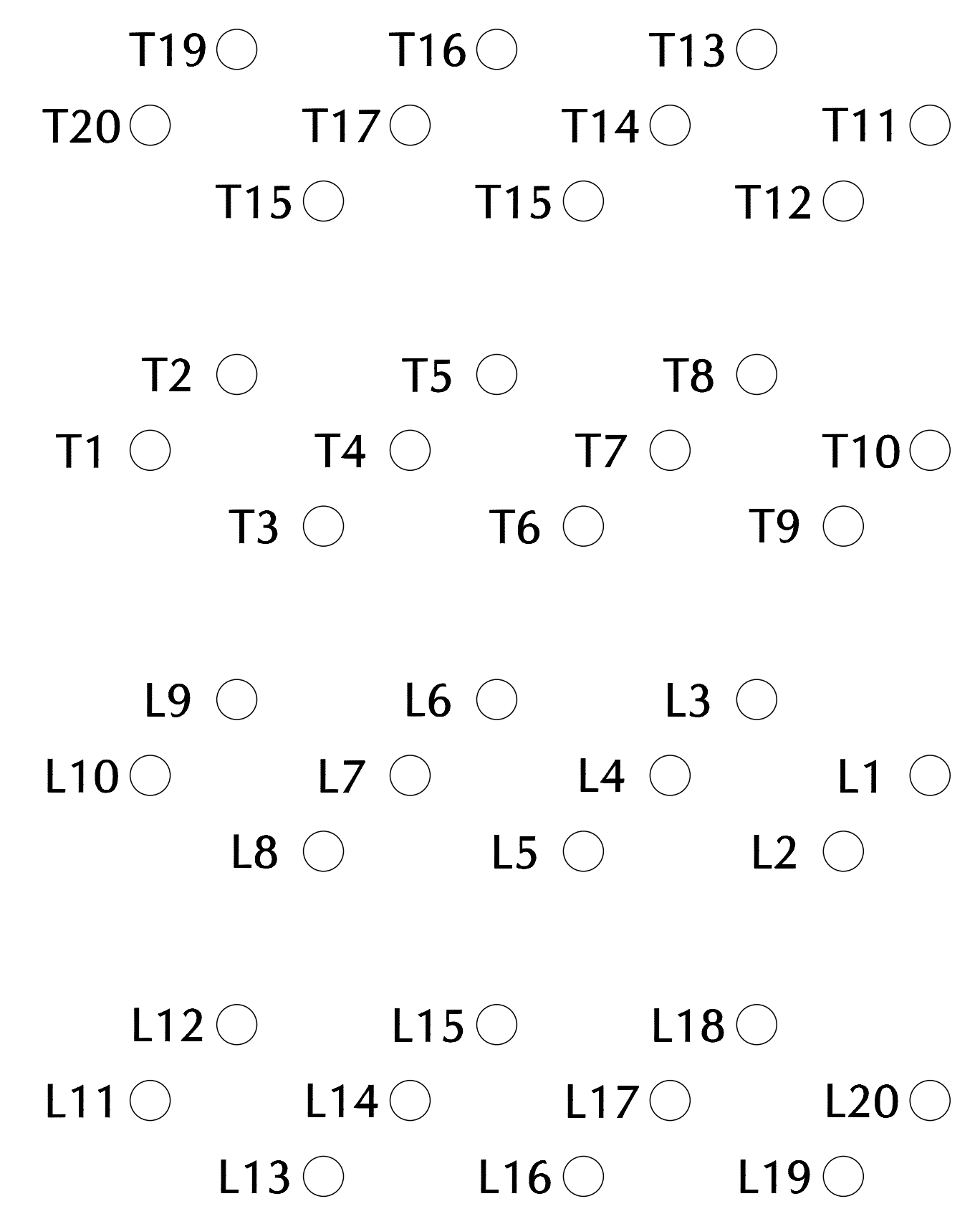
RECOMMENDED PCB LAYOUT
 SCALE 5:1

THIS DRAWING IS A CONTROLLED DOCUMENT.		DMN: M.E. CONHER 09DEC2011	TE Connectivity
DIMENSIONS: mm		CHK: M.D. MORRISON 13DEC2011	
TOLERANCES UNLESS OTHERWISE SPECIFIED:		APVD: M.D. MORRISON 13DEC2011	NAME: RECEPTACLE ASSEMBLY, 2X8, STACKED, zSFP+
0 PLC	±	PRODUCT SPEC	108-2481
1 PLC	±0.20	APPLICATION SPEC	114-13319
2 PLC	±0.15	SIZE	CAGE CODE DRAWING NO
3 PLC	±0.10	WEIGHT	A100779C=2198346
4 PLC	±	RESTRICTED TO	
ANGLES	±	SCALE	3:1
MATERIAL	SEE NOTES	SHEET	6 OF 7
FINISH	SEE NOTES	REV	C1

LOC	DIST	REV	DATE	BY	APPV
		1			
		2			
		3			
		4			

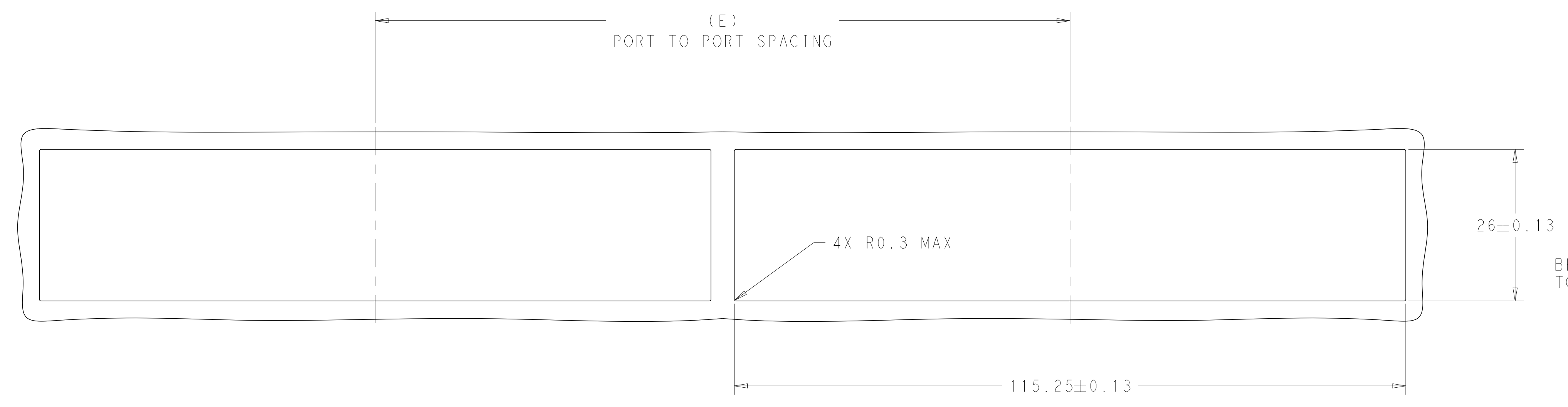


DETAIL C
 RECOMMENDED PIN AND LIGHT PIPE LAYOUT
 SCALE 15:1

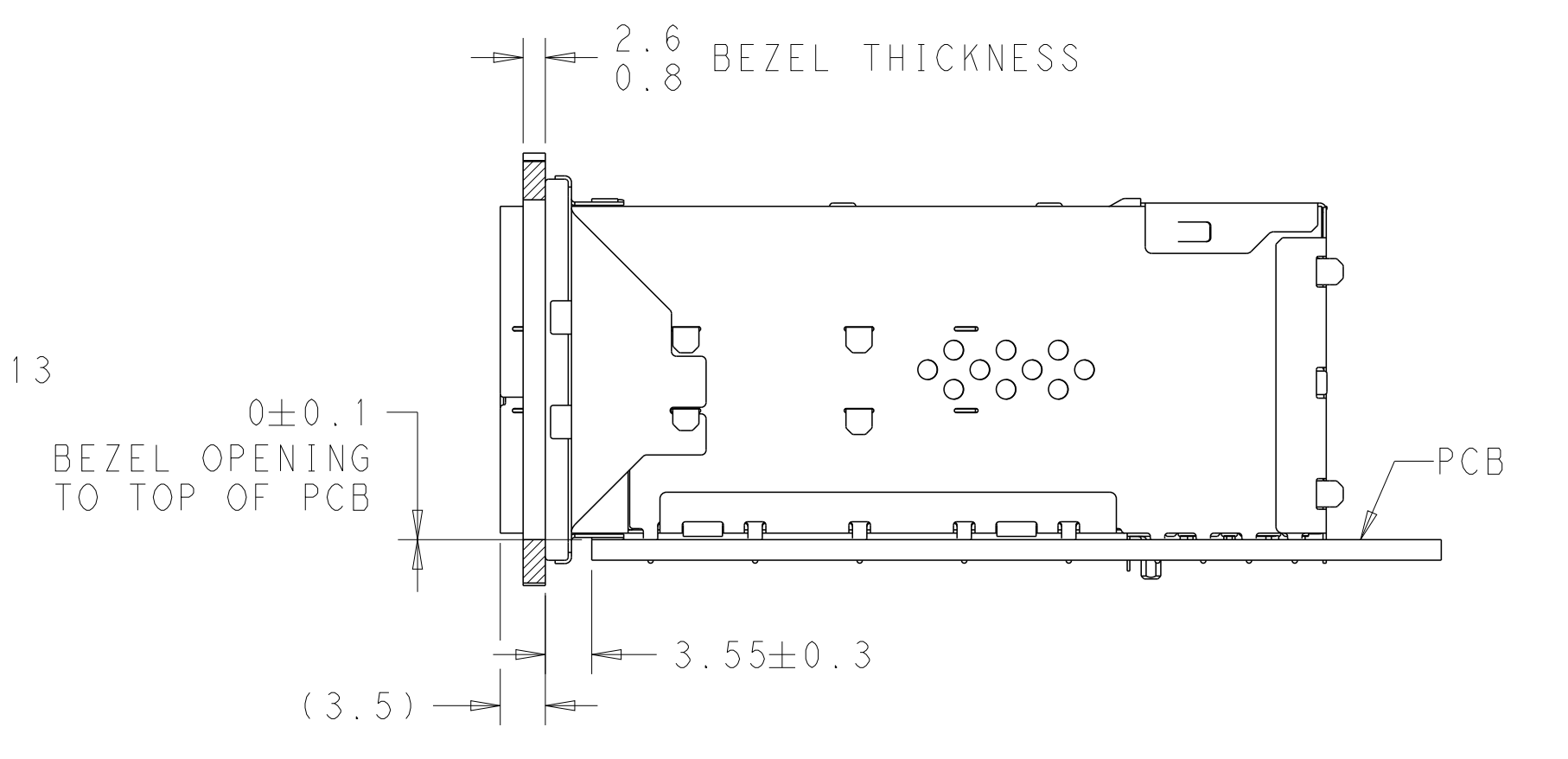


PIN MAP LEGEND	
PIN NUMBER	FUNCTION
L1/T1	VEET
L2/T2	TX-FAULT
L3/T3	TX-DISABLE
L4/T4	SDA
L5/T5	SCL
L6/T6	MOD_ABS
L7/T7	RSO
L8/T8	RX_LOS
L9/T9	RS1
L10/T10	VEER
L11/T11	VEER
L12/T12	RD-
L13/T13	RD+
L14/T14	VEER
L15/T15	VCCR
L16/T16	VCCT
L17/T17	VEET
L18/T18	TD+
L19/T19	TD-
L20/T20	VEET

DETAIL D
 PIN MAP
 8X PLACES
 SCALE 20:1



RECOMMENDED BEZEL CUT-OUT DETAIL
 SCALE 2:1



RECOMMENDED BEZEL LOCATION WITH EMI GASKET
 SCALE 2:1

THIS DRAWING IS A CONTROLLED DOCUMENT.		OWN: M. E. CONNER 09DEC2011	TE Connectivity
DIMENSIONS: mm		CHK: M. D. MORRISON 13DEC2011	
TOLERANCES UNLESS OTHERWISE SPECIFIED:		APV: M. D. MORRISON 13DEC2011	NAME: RECEPTACLE ASSEMBLY, 2X8, STACKED, zSFP+ PRODUCT SPEC: 108-2481 APPLICATION SPEC: 114-13319
0 PLC ±0.20 1 PLC ±0.15 2 PLC ±0.10 3 PLC ±0.10 4 PLC ±0.10 ANGLES ±°		SIZE: 114-13319 WEIGHT: - FINISH: -	
MATERIAL: SEE NOTES		Customer Drawing	RESTRICTED TO: A100779C=2198346 SCALE: 3:1 SHEET 7 OF 7 REV: C1