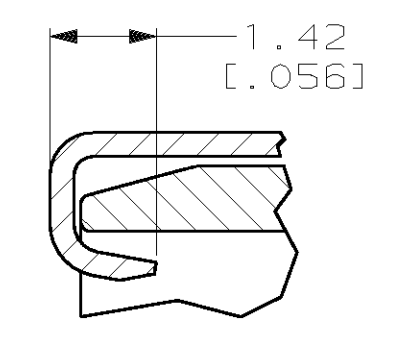
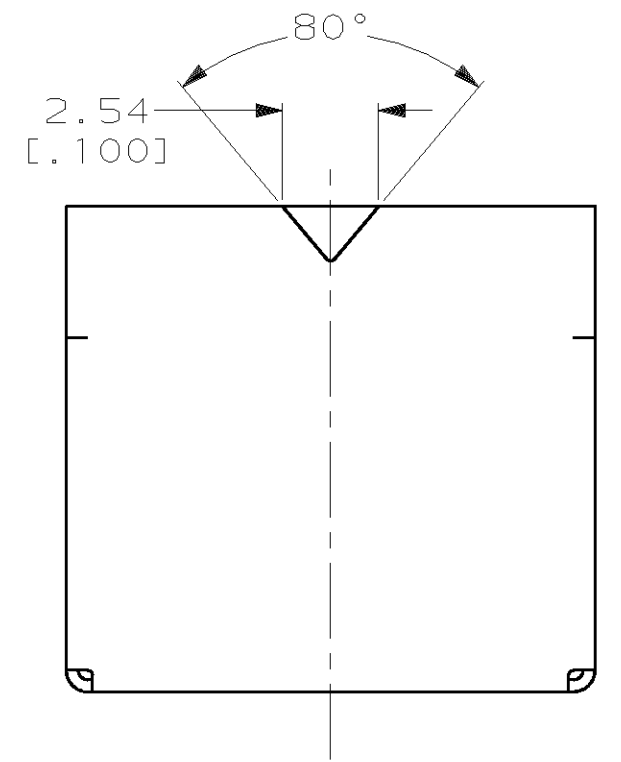
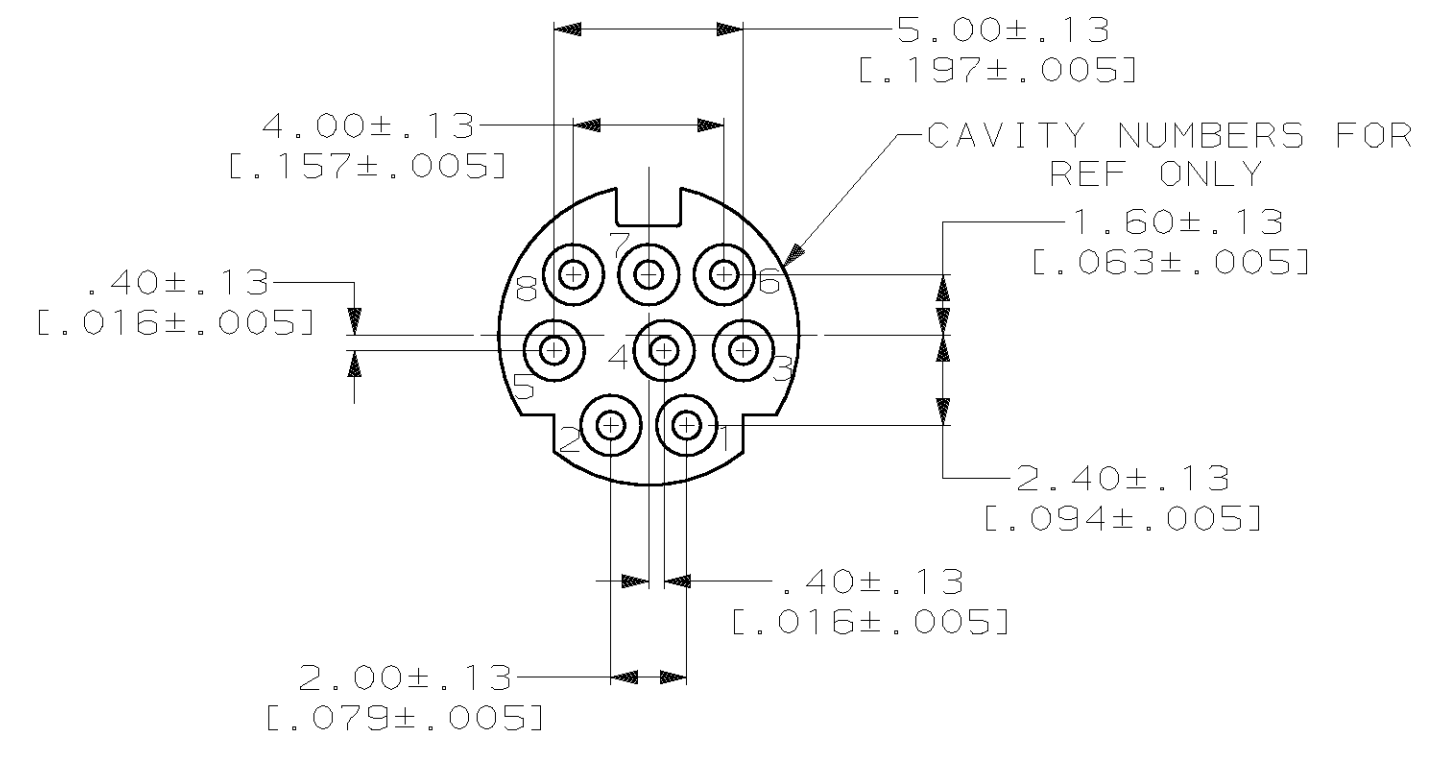


LOC		DIST		P		F		ZONE		LTR		REVISIONS			
GP	00											DESCRIPTION	DATE	APPD	
												G	REVISED PER EC 0513-0152-03	25APR03	JG

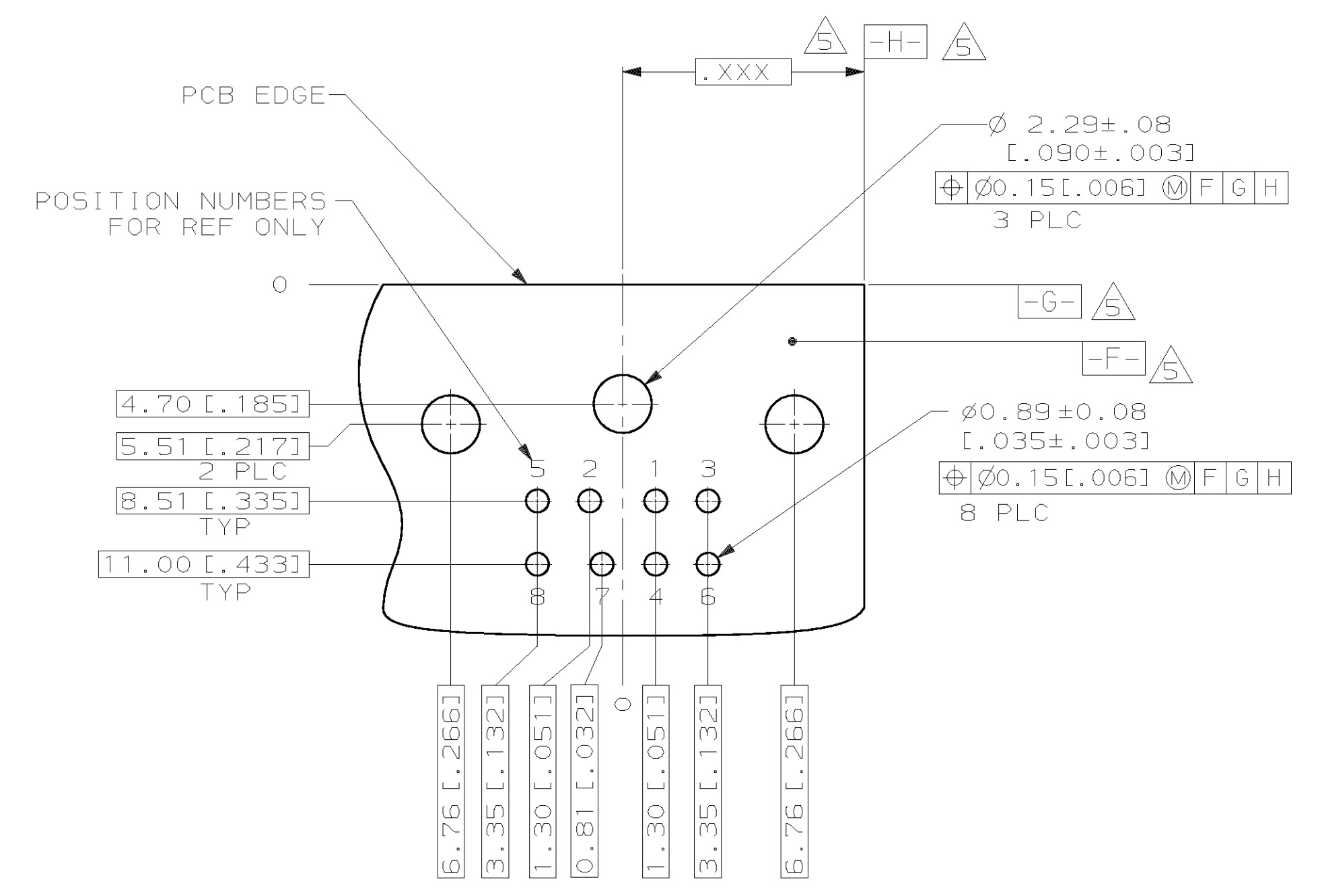
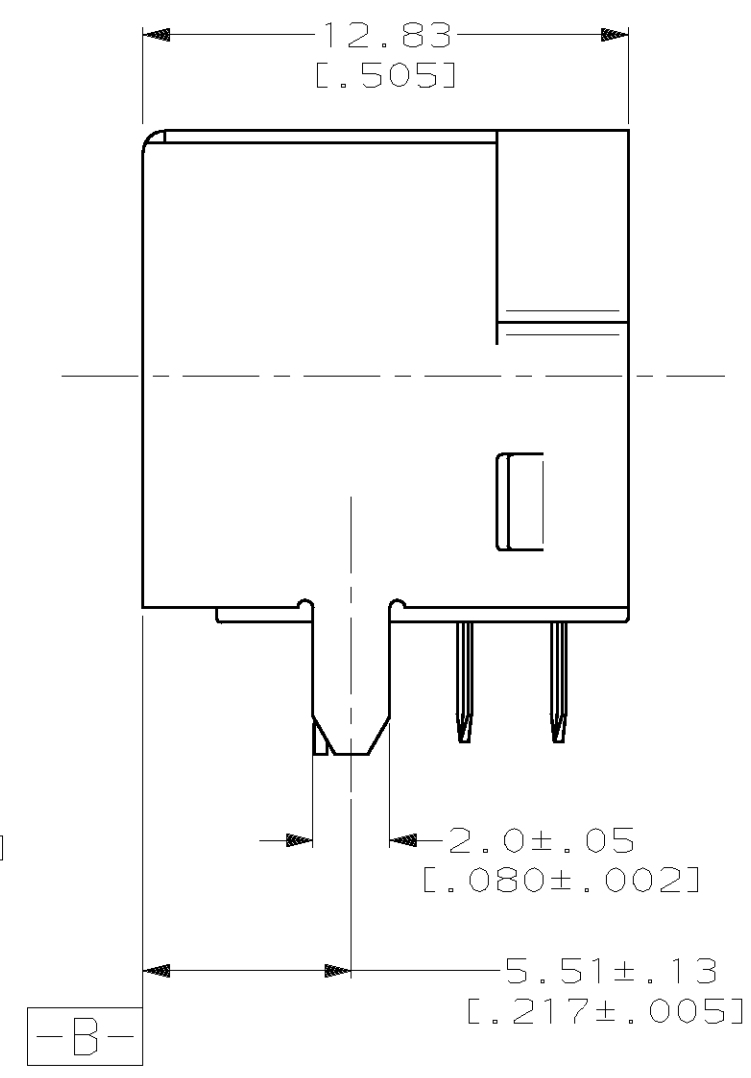
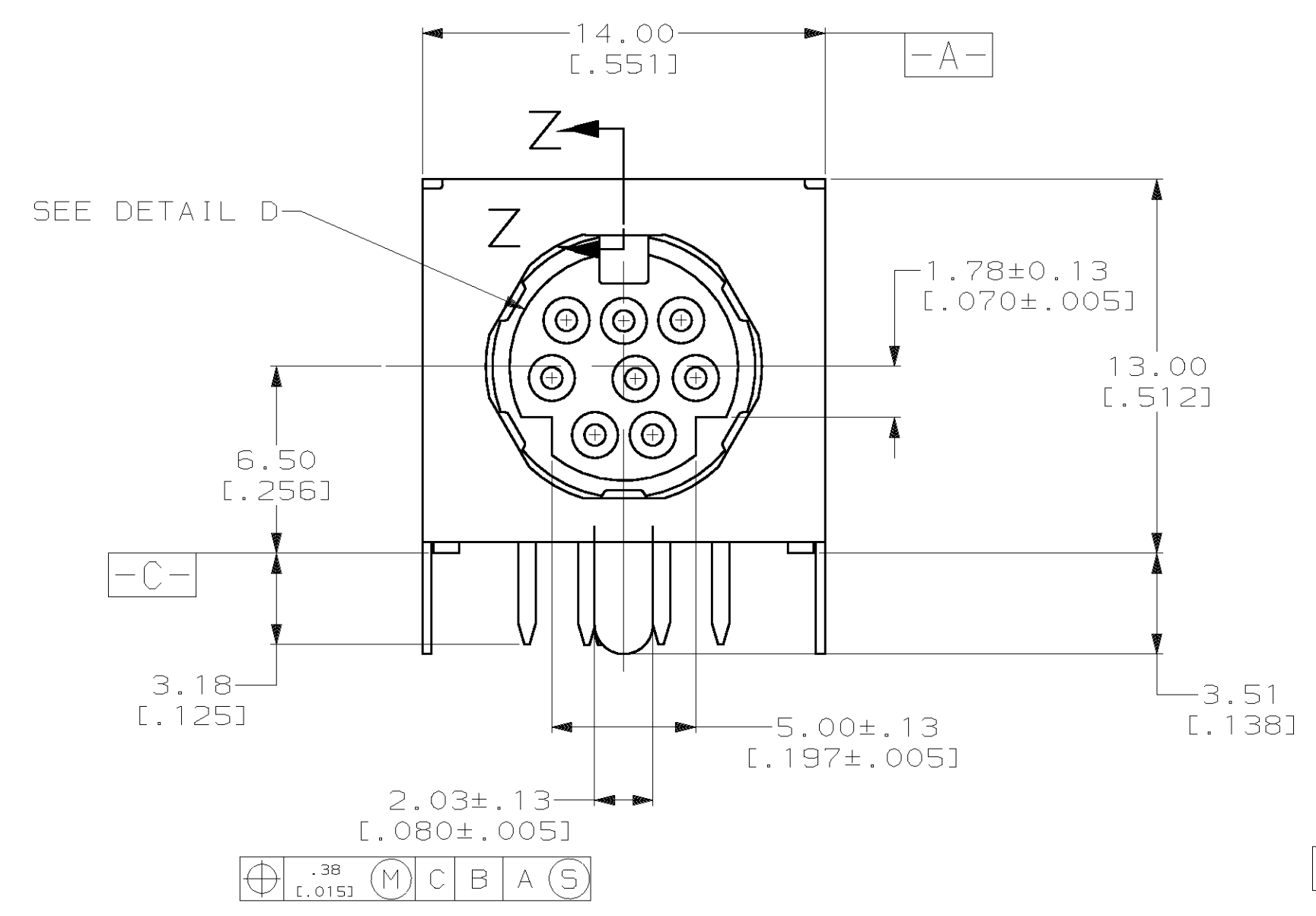


SECTION Z-Z
SCALE 10:1

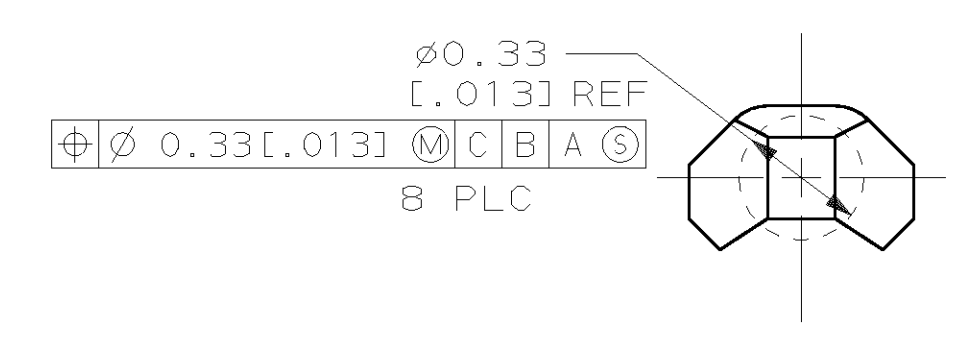
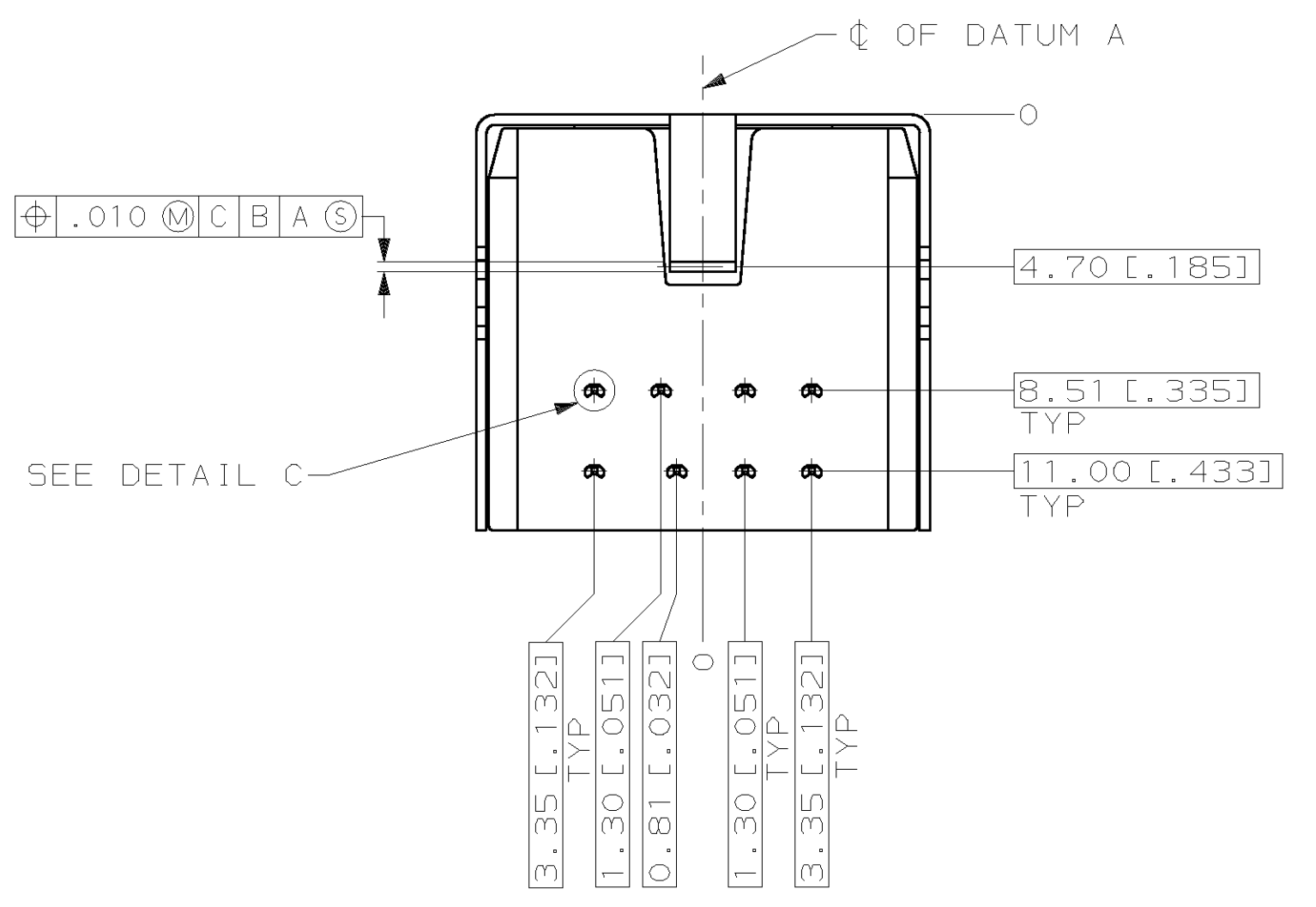


DETAIL D
8 PIN FACE

- 1 RECEPTACLE CONTACTS: COPPER ALLOY.
RECEPTACLE SHIELD: COPPER ALLOY.
HOUSING: THERMOPLASTIC, BLACK, 94V-0 RATED.
- 2 PLATING:
RECEPTACLE CONTACTS - GOLD PLATED .00076 MIN [.000030 MIN] THICK
ON MATING END, TIN-LEAD PLATED .0030 MIN [.000120 MIN] THICK
ON SOLDER TAIL ALL OVER .0013 MIN [.000050 MIN] THICK NICKEL.
- 3 PLATING:
RECEPTACLE SHIELD - 0.003 MIN [.000118 MIN] THICK BRIGHT TIN.
- 4. RECEPTACLE ASSEMBLY MATES WITH 8 PIN 9.00±.10 [.354±.004]
DIAMETER PLUG.
- 5 DATUMS AND BASIC DIMENSION SUPPLIED BY CUSTOMER.



8 PIN PCB LAYOUT
BOTTOM VIEW



DETAIL C
SCALE 50:1

DO NOT SCALE PRINT. UNLESS SPECIFIED DIMENSIONS IN mm [INCHES] TOLERANCES ON:		DR 1-24-89 P.C05M05	AMP INCORPORATED Harrisburg, Pa. 17105	
2 PLC DEC ±	3 PLC DEC ± 0.381 [.015]	CHK 1-24-89 C.OHL		
ANGLES ± 0°30'		APPD 1-24-89 B.H.MOSSER	NAME	
MATERIAL		APPD 1-24-89 E.C.MYERS	RECEPTACLE ASSY, 8 POS, RIGHT ANGLE, MINIATURE CIRCULAR DIN	
FINISH		PRODUCT SPEC 108-1225	SIZE	FSCM NO
		APPLICATION SPEC	D 00779	DRAWING NO
		WEIGHT	SCALE 5:1	749267
				SHEET 1 OF 1

749267-1
PART NO