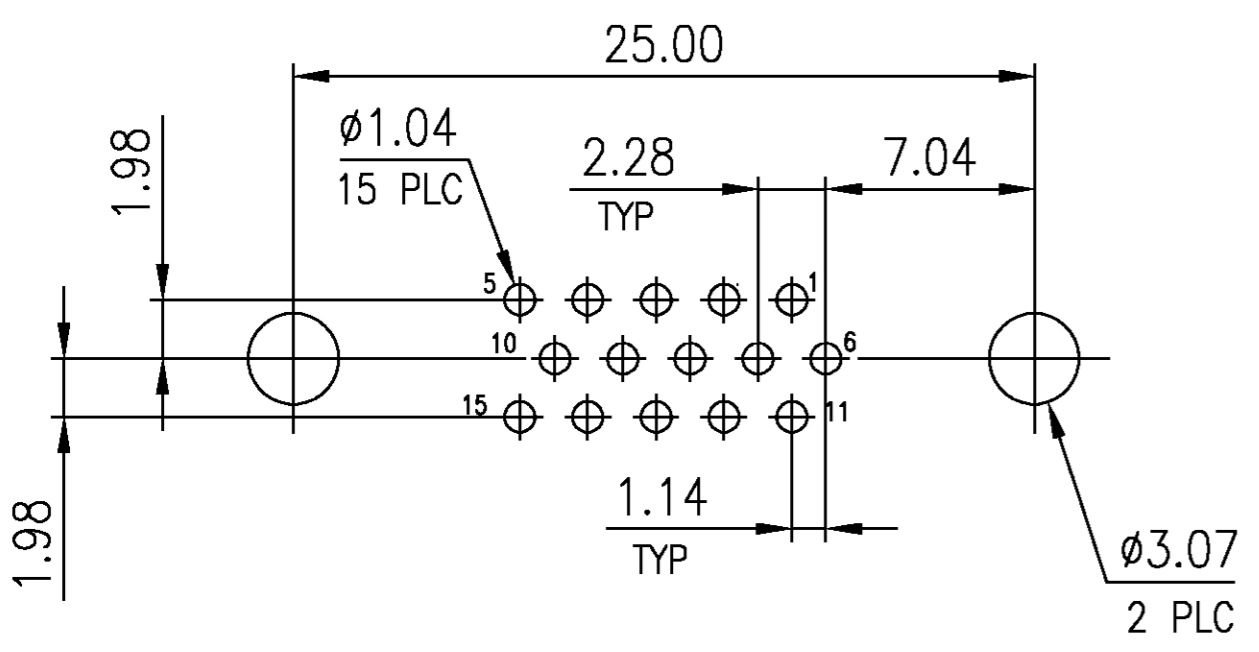
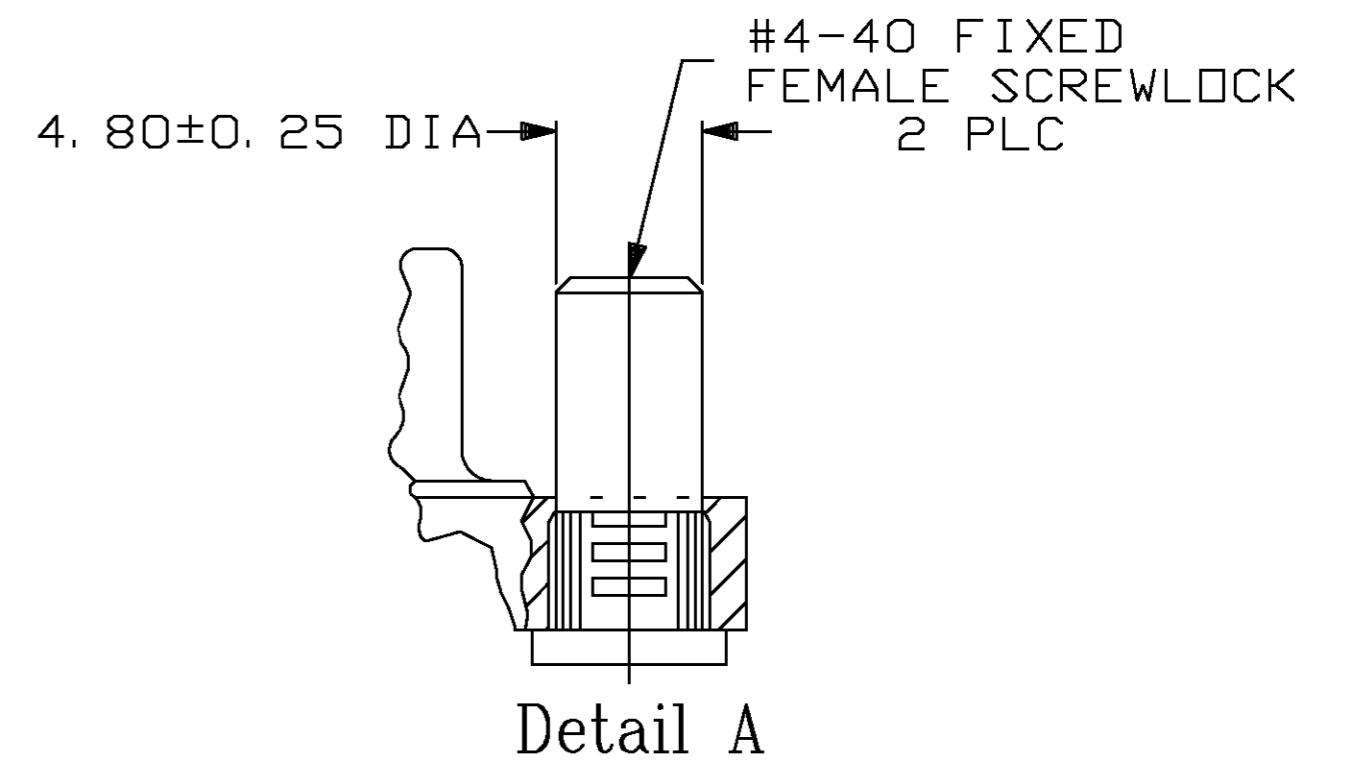
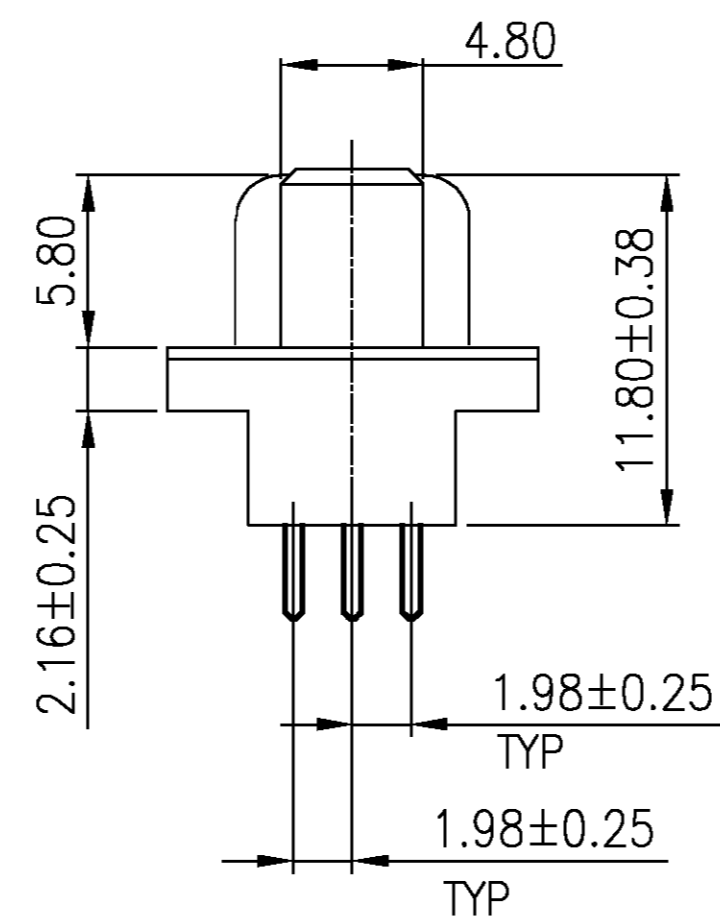
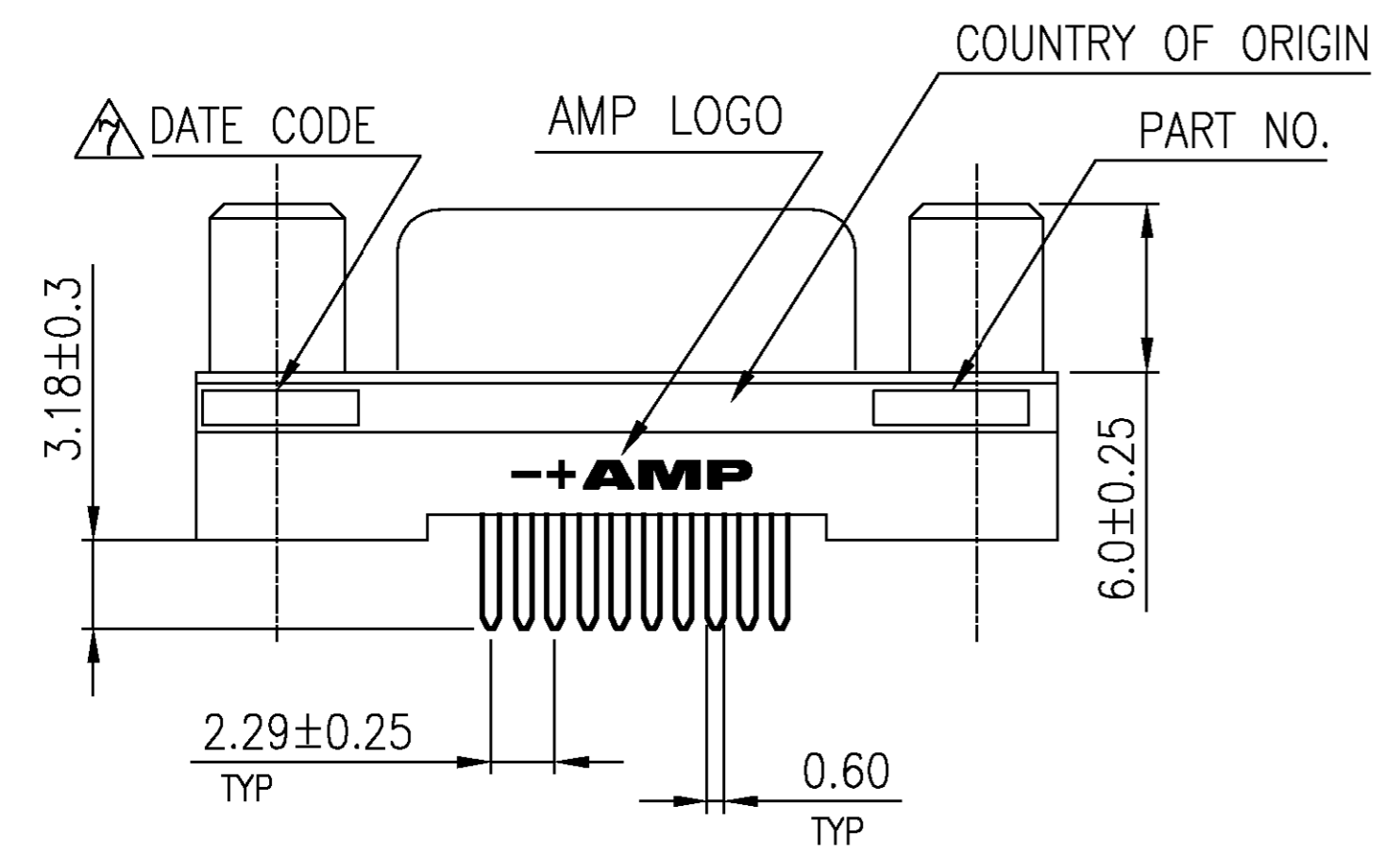
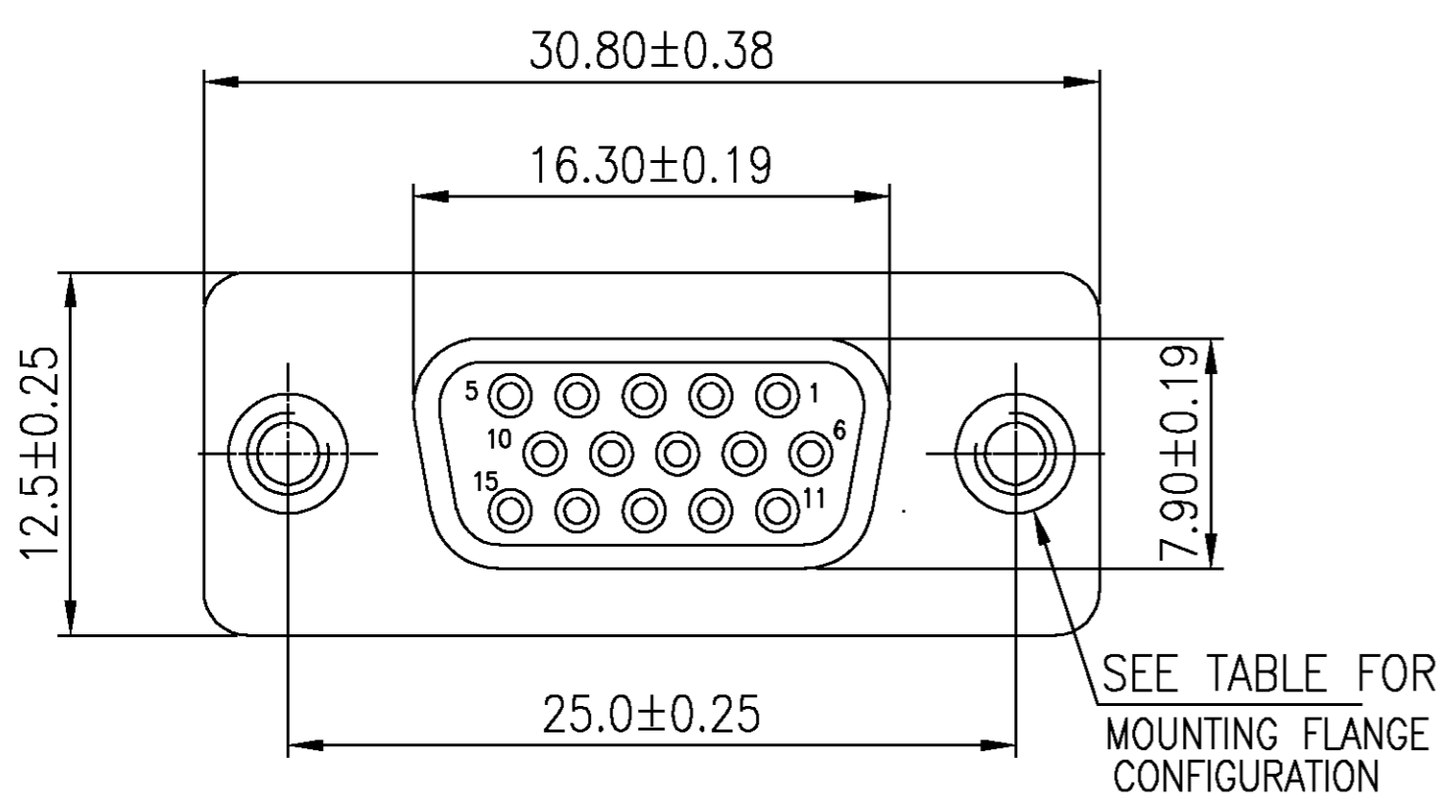
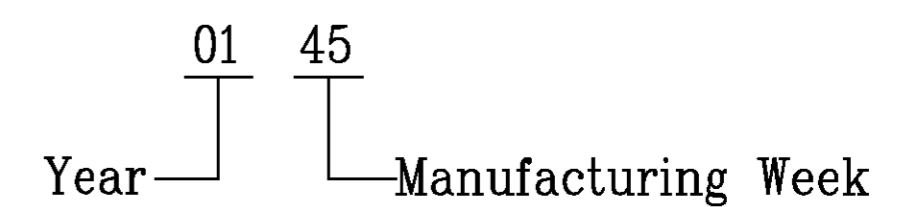


LOC	DIST	REVISIONS					
GP	0	P	LTR	DESCRIPTION	DATE	DWN	APVD
		A		REVISED PER OS13-0092-02	22APR02	JB	CC

MATERIAL:

- Housing: PBT , 25 % G.F polyester, Black. (UL 94V-0 Rated)
 - Contact: Phos. Bronze.
 - Contact Plated: Gold Plated over 50u" Nickel underplated.
 - Solder Tail: Sn/Pb Plated 120u" over 50u" Nickel underplated.
 - Shell: Steel, Nickel Plated.
 - Rivet: Brass, Nickel plated 30u" Min.
- ⚠ Four digit date code in this format.



Tray	Detail A	Gold flash	786356-4
Tray	Detail A	15 μ"	786356-3
Tray	Detail A	30 μ"	786356-1
Packaging	Mounting Flange Config	Contact Finish	AMP Part NO.

THIS DRAWING IS A CONTROLLED DOCUMENT.		DWN: J.BURWELL 22APR02	Tyco Electronics Corporation	
DIMENSIONS: MM		CHK: C.CASH 22APR02	APVD: -	
TOLERANCES UNLESS OTHERWISE SPECIFIED:		NAME: AMPLIMITE HD-22		
0 PLC	± -	15 POS RECEPTACLE, VERTICAL		
1 PLC	± 0.30	SIZE: A2	CAGE CODE: 00779	DRAWING NO: 786356
2 PLC	± 0.20	RESTRICTED TO: -		
3 PLC	± 0.10	SCALE: 3:1		
4 PLC	± -	SHEET: 1 OF 1		
ANGLES	± 2	REV: A		
MATERIAL: -	FINISH: -	CUSTOMER DRAWING		

RECOMMENDED PCB LAYOUT