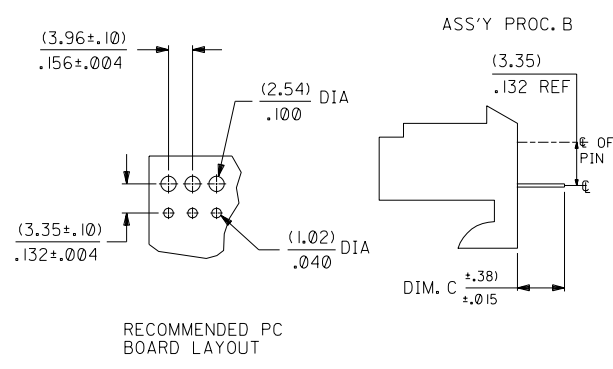


- NOTES:
1. TERMINALS MUST CONFORM TO SOLDERABILITY SPEC. ES-152.
  2. PARTS CONFORM TO PRODUCT SPEC 08-50.
  3. HOUSING MATERIAL: NYLON, UL LISTED
  4. "\*" PRECEDING ENG. NO. IN CHARTS DESIGNATES STANDARD PRODUCT.
  5. TERMINAL TAIL CENTERLINES ARE TO BE WITHIN (.30)/.012 OF EACH OTHER.
  6. FOR KINKED PIN INFORMATION SEE SMES-42329-\*\*\*.



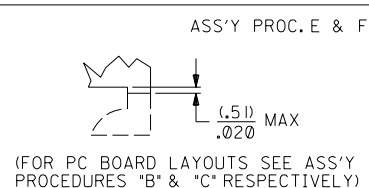
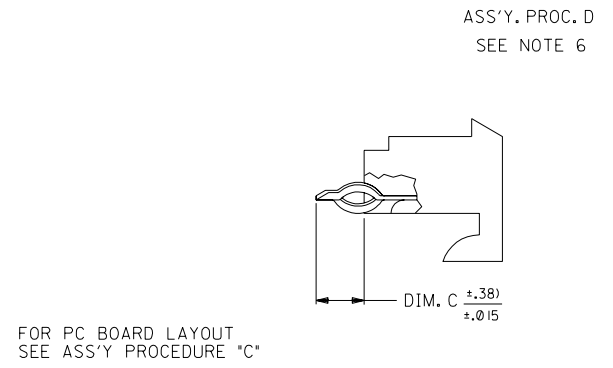
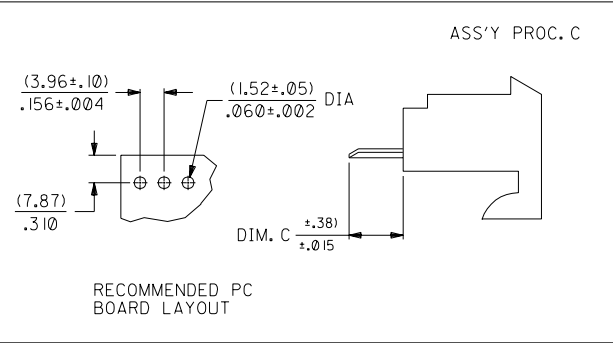
A - 2145 - \* \* N \* \* \* - \*  
 VOID LOCATION  
 ASS'Y. PROCEDURE  
 A=RIGHT ANGLE  
 B=BOTTOM ENTRY  
 C=TOP ENTRY  
 D=TOP ENTRY WITH KINKED TAIL  
 E=BOTTOM ENTRY WITH HOOKS CUT OFF  
 F=TOP ENTRY WITH HOOKS CUT OFF  
 PACKAGING CODE  
 BLANK=BULK PACK  
 A=TUBE PACK PER PK-40873-0026

PLATING  
 (102) 200 M.I. MIN TIN OVER 100 M.I. MIN COPPER  
 (587) SELECT GOLD 15 M.I. MIN  
 SELECT TIN-LEAD 75 M.I. MIN. OVER  
 50 M.I. MIN NICKEL

HOUSING NO.  
 A=2145-N-AN  
 94V-2 NATURAL WITH RAMPES AND HOOKS  
 B=2145-NBK-AN  
 94V-2 DYED BLACK WITH RAMPES AND HOOKS  
 C=2145-A-AN  
 94V-0 NATURAL WITH RAMPES AND HOOKS  
 G=2145-N-CN  
 94V-2 NATURAL WITH HOOKS ONLY  
 H=2145-NGN-AN  
 94V-2 DYED GREEN WITH RAMPES AND HOOKS  
 J=2145-NYW-AN  
 94V-2 DYED YELLOW WITH RAMPES AND HOOKS  
 K=2145-NRD-AN  
 94V-2 DYED RED WITH RAMPES AND HOOKS  
 L=2145-N-AN-5  
 94V-2 NATURAL W/ RAMPES AND HOOKS MOLDED IN VOIDS

TERMINAL NO.  
 A=2144-AA-AIAA(+)B (BRASS)  
 B=2144-BA-AIAA(+)B (PHOS BRONZE)  
 C=2144-AA-A2AA(+)B (BRASS)  
 D=2144-BA-A2AA(+)B (PHOS BRONZE)  
 E=6298-A(+) (PHOS BRONZE) LOW FORCE  
 H=2188-(\*) (BRASS)  
 J=2188-(\*) (BRASS)  
 K=4244-(\*) (BRASS)  
 L=6298-(\*) (PHOS BRONZE)  
 M=2144-BA-BIAA(+)B (PHOS BRONZE) LOW FORCE  
 N=4244-A(+) (PHOS BRONZE)

NO. OF CKTS.	DIM. A	DIM. B	KINK PIN LOCATION (ASSY. PROC. D ONLY)
2	( 3.96 ± .13 ) .156 ± .005	( 7.82 ) .308	N/A
3	( 7.92 ± .13 ) .312 ± .005	( 11.79 ) .464	N/A
4	( 11.89 ± .13 ) .468 ± .005	( 15.75 ) .620	1, 2 3, 4
5	( 15.85 ± .13 ) .624 ± .005	( 19.71 ) .776	2, 3 4, 5
6	( 19.81 ± .13 ) .780 ± .005	( 23.67 ) .932	2, 3 4, 5
7	( 23.77 ± .25 ) .936 ± .010	( 27.64 ) 1.088	2, 3 5, 6
8	( 27.74 ± .25 ) 1.092 ± .010	( 31.60 ) 1.244	2, 3 6, 7
9	( 31.70 ± .25 ) 1.248 ± .010	( 35.56 ) 1.400	2, 3 7, 8
10	( 35.66 ± .25 ) 1.404 ± .010	( 39.52 ) 1.556	2, 3 8, 9
11	( 39.62 ± .25 ) 1.560 ± .010	( 43.48 ) 1.712	2, 3 9, 10
12	( 43.59 ± .25 ) 1.716 ± .010	( 47.45 ) 1.868	2, 3 10, 11
13	( 47.55 ± .25 ) 1.872 ± .010	( 51.41 ) 2.024	2, 3 11, 12
14	( 51.51 ± .36 ) 2.028 ± .014	( 55.37 ) 2.180	2, 3 12, 13
15	( 55.47 ± .36 ) 2.184 ± .014	( 59.33 ) 2.336	2, 3 13, 14
16	( 59.44 ± .36 ) 2.340 ± .014	( 63.30 ) 2.492	2, 3 14, 15



NO. OF CKTS.

U7	U6
REL AANN102 UCP2003-0130 7/22/2002 SAMIEC	REL FANA503 UCR2001-0247 9-18-00 SAMIEC

DIMENSIONS SHOWN (METRIC) INCH  
 UNLESS OTHERWISE SPECIFIED  
 TOLERANCES: ANGULAR ± 1/2°

INCH	METRIC
3 PLACE ± .010	---
2 PLACE ± .014	± 0.25
1 PLACE ---	± 0.36

DRAFT WHERE APPLICABLE MUST REMAIN WITHIN DIMENSIONS

DRWG. PEREZ-ARGUETA  
 BY LENZ SCALE

CHK'D. PATEL

FILE NAME S2145X1  
 THIS DRAWING CONTAINS INFORMATION THAT IS PROPRIETARY TO MOLEX INC. AND SHOULD NOT BE USED WITHOUT WRITTEN PERMISSION.

TITLE HOUSING ASS'Y, P.C. TAIL  
 (3.96)/.156 C  
 2145 SERIES DRAWING

MOLEX INCORPORATED  
 LISLE, ILL. 60532 U.S.A.

SHEET NO. 1 OF 20  
 DATE 7/9/87

PART NO. SDA-2145  
 DRWG. NO.

SEE CHART

DRG. DIV. C  
 SIZE C

2145

20	U
19	T
18	U7
17	M
16	T6
15	T
14	T2
13	U6
12	U5
11	R3
10	U
9	T
8	T
7	U3
6	U
5	U
4	U
3	U
2	U
1	U7

MFG. SH. REV.

	13	12	11	10	9	8	7	6	2145	4	3	2	1		
J	ENG. NO.		HOUSING NO.		TERMINAL NO.		DIM. C		EDP ON SHT/COL						J
	A-2145-AANA(102)-*	2145-N-AN	2144-AA-AIAA-102B	(3.68) / .145	7 / 1										J
	A-2145-AANA(122)-*	2145-N-AN	2144-AA-AIAA-122B	(3.68) / .145	7 / 2										
	A-2145-AANA(505)-*	2145-N-AN	2144-AA-AIAA-505B	(3.68) / .145	7 / 3										
	A-2145-AANA(507)-*	2145-N-AN	2144-AA-AIAA-507B	(3.68) / .145	7 / 4										
	A-2145-AANB(558)-*	2145-N-AN	2144-BA-AIAA-558B	(3.68) / .145	8 / 1										
I	A-2145-AANA(P913)-*	2145-N-AN	2144-AA-AIAA-P913B	(3.68) / .145	8 / 2										I
	A-2145-ABNA(122)-*	2145-NBK-AN	2144-AA-AIAA-122B	(3.68) / .145	8 / 3										
	A-2145-ABNA(P913)-*	2145-NBK-AN	2144-AA-AIAA-P913B	(3.68) / .145	8 / 4										
	A-2145-AANA(587)-*	2145-N-AN	2144-AA-AIAA-587B	(3.68) / .145	9 / 1										
	A-2145-AGNA(P913)-*	2145-N-CN	2144-AA-AIAA-587B	(3.68) / .145	9 / 2										
H	A-2145-BANH(102)-*	2145-N-AN	2188-(102)	(4.06) / .160	9 / 3										H
	A-2145-BANH(122)-*	2145-N-AN	2188-(122)	(4.06) / .160	9 / 4										
	A-2145-BANL(P913)-*	2145-N-AN	6298-(P913)	(4.06) / .160	10 / 1										
	A-2145-BANL(565)-*	2145-N-AN	6298-(565)	(4.06) / .160	10 / 2										
	A-2145-BBNH(122)-*	2145-NBK-AN	2188-(122)	(4.06) / .160	10 / 3										
G	A-2145-CANA(102)-*	2145-N-AN	2144-AA-AIAA-102B	(3.05) / .120	10 / 4										G
	A-2145-CANA(122)-*	2145-N-AN	2144-AA-AIAA-122B	(3.05) / .120	11 / 1										
	A-2145-CANB(565)-*	2145-N-AN	2144-BA-AIAA-565B	(3.05) / .120	11 / 2										
	A-2145-CANC(P913)-*	2145-N-AN	2144-AA-A2AA-P913B	(4.80) / .189	11 / 3										
	A-2145-FGNA(587)-*	2145-N-CN	2144-AA-AIAA-587B	(3.05) / .120	11 / 4										
	A-2145-FANA(P913)-*	2145-N-AN	2144-AA-AIAA-P913B	(3.05) / .120	12 / 1										
F	A-2145-DANC(P913)-*	2145-N-AN	2144-AA-A2AA-P913B	(4.80) / .189	12 / 2										F
	A-2145-BBNH(P913)-*	2145-NBK-AN	2188-(P913)	(4.06) / .160	12 / 3										
	A-2145-CBNA(P913)-*	2145-NBK-AN	2144-AA-AIAA-P913B	(3.05) / .120	12 / 4										
	A-2145-FGNA(550)-*	2145-N-CN	2144-AA-AIAA-550B	(3.05) / .120	13 / 1										
	A-2145-BANH(P913)-*	2145-N-AN	2188-(P913)	(4.06) / .160	13 / 2										
E	A-2145-BANH(587)-*	2145-N-AN	2188-(587)	(4.06) / .160	13 / 3										E
	A-2145-FANA(503)-*	2145-N-AN	2144-AA-AIAA-503B	(3.05) / .120	13 / 4										
	A-2145-EANH(P913)-*	2145-N-AN	2188-(P913)	(4.06) / .160	14 / 1										
	A-2145-AANK(P913)-*	2145-N-AN	4244-(P913)	(3.68) / .145	14 / 2										
	A-2145-ABNK(P913)-*	2145-NBK-AN	4244-(P913)	(3.68) / .145	14 / 3										
D	A-2145-ABNA(587)-*	2145-NBK-AN	2144-AA-AIAA-587B	(3.68) / .145	14 / 4										D
	A-2145-AANA(109)-*	2145-N-AN	2144-AA-AIAA-109B	(3.68) / .145	15 / 1										
	A-2145-CANA(P913)-*	2145-N-AN	2144-AA-AIAA-P913B	(3.05) / .120	15 / 2										
	A-2145-AANB(122)-*	2145-N-AN	2144-BA-AIAA(122)B	(3.68) / .145	15 / 3										
	A-2145-BANL(122)-*	2145-N-AN	6298-(122)	(4.06) / .160	15 / 4										
	A-2145-CANB(122)-*	2145-N-AN	2144-BA-AIAA(122)B	(3.05) / .120	16 / 1										
C	A-2145-EGNH(P913)-*	2145-N-CN	2188-(P913)	(4.06) / .160	16 / 2										C
	A-2145-FGNA(P913)-*	2145-N-CN	2144-AA-AIAA-P913B	(3.05) / .120	16 / 3										
	A-2145-CANA(587)-*	2145-N-AN	2144-AA-AIAA-587B	(3.05) / .120	16 / 4										
	A-2145-BHNH(122)-*	2145-NGN-AN	2188-(122)	(4.06) / .160	17 / 1										
	A-2145-BJNH(122)-*	2145-NYW-AN	2188-(122)	(4.06) / .160	17 / 2										
B	A-2145-BKNH(122)-*	2145-NRD-AN	2188-(122)	(4.06) / .160	17 / 3										B
				/	/										
A															A

SEE SHEET I	M1	SEE SHEET I	DIMENSIONS SHOWN (METRIC) INCH		▽ = 0	▽ = 0	REVISE ONLY ON CAD SYSTEM
SEE SHEET I	M	SEE SHEET I	UNLESS OTHERWISE SPECIFIED TOLERANCES ANGULAR ± 1/2°		TITLE HOUSING ASS'Y, P.C. TAIL		
U	SEE SHEET I	K	SEE SHEET I	INCH METRIC	MOLEX INCORPORATED		
T	SEE SHEET I	J3	SEE SHEET I	3 PLACE ±	SHEET NO. 5		
G	SEE SHEET I	J	SEE SHEET I	2 PLACE ±	DATE 7 / 9 / 87		
R	SEE SHEET I	H	SEE SHEET I	1 PLACE ±	PART NO. SDA-2145		
M3	SEE SHEET I	G1	SEE SHEET I	DRAWING CONTAINS INFORMATION THAT IS PROPRIETARY TO MOLEX INC. AND SHOULD NOT BE USED WITHOUT WRITTEN PERMISSION			
LTR.	REVISIONS	LTR.	REVISIONS	DRAWING NO. 60532			
			DRAWN: PEREZ		CHK'D: PATEL		
			APP'D: LENZ		SCALE :		
			BY: ARGUETA		FILE NAME: S2145X5		

2145

A-2145-BANL(P913)-*			A-2145-BANL(565)-*			A-2145-BBNH(122)-*			A-2145-CANA(102)-*		
PART NO.	ENG. NO(SUFFIX ONLY)	VOID CKT.	PART NO.	ENG. NO(SUFFIX ONLY)	VOID CKT.	PART NO.	ENG. NO(SUFFIX ONLY)	VOID CKT.	PART NO.	ENG. NO(SUFFIX ONLY)	VOID CKT.
09-52-2028	-BA2L(P913)			-BA2L(565)			-BB2H(122)		09-52-1023	-CA2A(102)	
09-52-2038	-BA3L(P913)			-BA3L(565)			-BB3H(122)		09-52-1033	-CA3A(102)	
09-52-2048	-BA4L(P913)		09-62-6043	-BA4L(565)		09-46-3042	-BB4H(122)		09-52-1043	-CA4A(102)	
09-52-2058	-BA5L(P913)			-BA5L(565)			-BB5H(122)		09-52-1053	-CA5A(102)	
09-52-2068	-BA6L(P913)			-BA6L(565)			-BB6H(122)		09-52-1063	-CA6A(102)	
09-52-2078	-BA7L(P913)			-BA7L(565)			-BB7H(122)		09-52-1073	-CA7A(102)	
09-52-2088	-BA8L(P913)			-BA8L(565)			-BB8H(122)		09-52-1083	-CA8A(102)	
09-52-2098	-BA9L(P913)			-BA9L(565)			-BB9H(122)		09-52-1093	-CA9A(102)	
09-52-2108	-BA10L(P913)		09-62-6103	-BA10L(565)			-BB10H(122)		09-52-1103	-CA10A(102)	
09-52-2118	-BA11L(P913)			-BA11L(565)			-BB11H(122)		09-52-1113	-CA11A(102)	
09-52-2128	-BA12L(P913)			-BA12L(565)			-BB12H(122)		09-52-1123	-CA12A(102)	
09-52-2138	-BA13L(P913)			-BA13L(565)			-BB13H(122)		09-52-1133	-CA13A(102)	
09-52-2148	-BA14L(P913)			-BA14L(565)			-BB14H(122)		09-52-1143	-CA14A(102)	
09-52-2158	-BA15L(P913)		09-62-6153	-BA15L(565)			-BB15H(122)		09-52-1153	-CA15A(102)	
	-BA16L(P913)			-BA16L(565)			-BB16H(122)		09-52-1163	-CA16A(102)	

COLUMN NO. 1	CON'T. IN COLUMN NO.	SHEET NO.	COLUMN NO. 2	CON'T. IN COLUMN NO.	SHEET NO.	COLUMN NO. 3	CON'T. IN COLUMN NO.	SHEET NO.	COLUMN NO. 4	CON'T. IN COLUMN NO.	SHEET NO.
						SEE SHEET I		SEE SHEET I			
						SEE SHEET I		SEE SHEET I			
						SEE SHEET I	U	SEE SHEET I			
						SEE SHEET I	T4	SEE SHEET I			
						SEE SHEET I	M6	SEE SHEET I			
						SEE SHEET I	D8	SEE SHEET I			
						SEE SHEET I	A	SEE SHEET I			
LTR.	REVISIONS		LTR.	REVISIONS		LTR.	REVISIONS		LTR.	REVISIONS	

DIMENSIONS SHOWN (METRIC) INCH  
UNLESS OTHERWISE SPECIFIED  
TOLERANCES ANGULAR ± 1/2°

	INCH	METRIC
3 PLACE	±	±
2 PLACE	±	±
1 PLACE	±	±

DRAFT WHERE APPLICABLE MUST  
REMAIN WITHIN DIMENSIONS

DRWG. PEREZ - EN'D. PATEL  
BY ARGUETA  
APP'D. LENZ SCALE :

▽ = 0    ▽ = 0    **REVISE ONLY ON CAD SYSTEM**

TITLE  
HOUSING ASS'Y, P.C. TAIL  
(3,96)/.156 C  
2145 SERIES DRAWING

**MOLEX INCORPORATED** SHEET NO. 10 DATE 7 / 9 / 87  
LISLE, ILL. 60532 U.S.A.

**SEE CHART**    DRWG. NO. **SDA-2145**

FILE NAME: S2145X10    THIS DRAWING CONTAINS INFORMATION THAT IS PROPRIETARY TO MOLEX INC. AND SHOULD NOT BE USED WITHOUT WRITTEN PERMISSION.    DIN. SIZE KK IC