

OMRON

Industrial Cameras

STC/FS Series



Make It Faster, Make It Simpler

OMRON has been developing high speed & high performance image processing systems in order to meet the needs of the automation world pursues. And now, image processing began to spread all over the world and the evolution speed of people want is getting higher. For our customers' satisfaction, we start to deliver OMRON SENTECH (former SENTECH)'s cameras. OMRON SENTECH is a manufacturer specializing in industrial cameras that became a new member of the OMRON group. Those cameras make the conventional systems simpler, faster and more flexible. Also they make it easy to assist the visual inspection to capture enlarged images without pc.

OMRON **SENTECH**



Notes for Purchase

- Please contact the trading company for delivery date.
- All cameras in this catalog can not be connected to the image processing system such as FH / FZ / FJ series.

Dimensions

- This catalog contains the dimensions of a typical model. Please confirm the CAD data for the dimensions of models not mentioned.

How to Choose a camera Camera Line-up Chart



Per-interface comparison table
Camera Line-up Chart

Pages 3 - 4

How to Choose a camera

GigE Vision



CMOS M Series

Pages 5 - 6

CMOS S Series

Pages 7 - 8

Line Scan Camera

Pages 9 - 10

GigE

USB3.0



USB3.0

Pages 11 - 14

USB3.0 Remote Head

Pages 15 - 16

USB3.0

CoaXPress



CoaXPress

Pages 17 - 18

CoaXPress

Opt-C:Link



Opt-C:Link

Pages 19 - 20

Opt-C:Link

Camera Link



CMOS

Pages 21 - 24

Remote Head

Pages 25 - 26

Line Scan Camera

Pages 27 - 28

Camera Link

HDMI/DVI/SDI



4K HDMI

Pages 29 - 30

DVI

Pages 31 - 32

HD-SDI

Pages 33 - 34

HDMI/DVI/SDI

Analog Progressive



Analog Progressive

Pages 35 - 36

Analog Progressive

Color TV Format



S133N-B Series

Pages 37 - 38

Color TV Format

Small Board Camera



S133N(P)/S133UVC/S133MIP Series

Pages 39 - 46

Small Board Camera

Accessories



Cable, Others

Pages 47 - 49

Fixed Focus Lens

Page 50

4ch USB Board

Page 51

Spectral Sensitivity Characteristics

Pages 52 - 61

Accessories

How to Choose a Camera

Camera Line-up Chart



How to Choose an Image Sensor

- Monochrome
 - Mono or Color?
- Number of Pixels
 - Optimal Resolution for Your Application
- Scan Speed
 - Required FPS
- Sensor Size?

How to Choose the Interface

- Connect to
 - Monitor or PC?
- Cable Length
 - Distance Between the Camera and the Equipment
- The Number of Cameras
 - How many cameras for one PC?

Based on factors such as decided specifications, system outline and cost image, refer to the following per-interface comparison table and product lineup chart to choose the optimum Sentech camera.

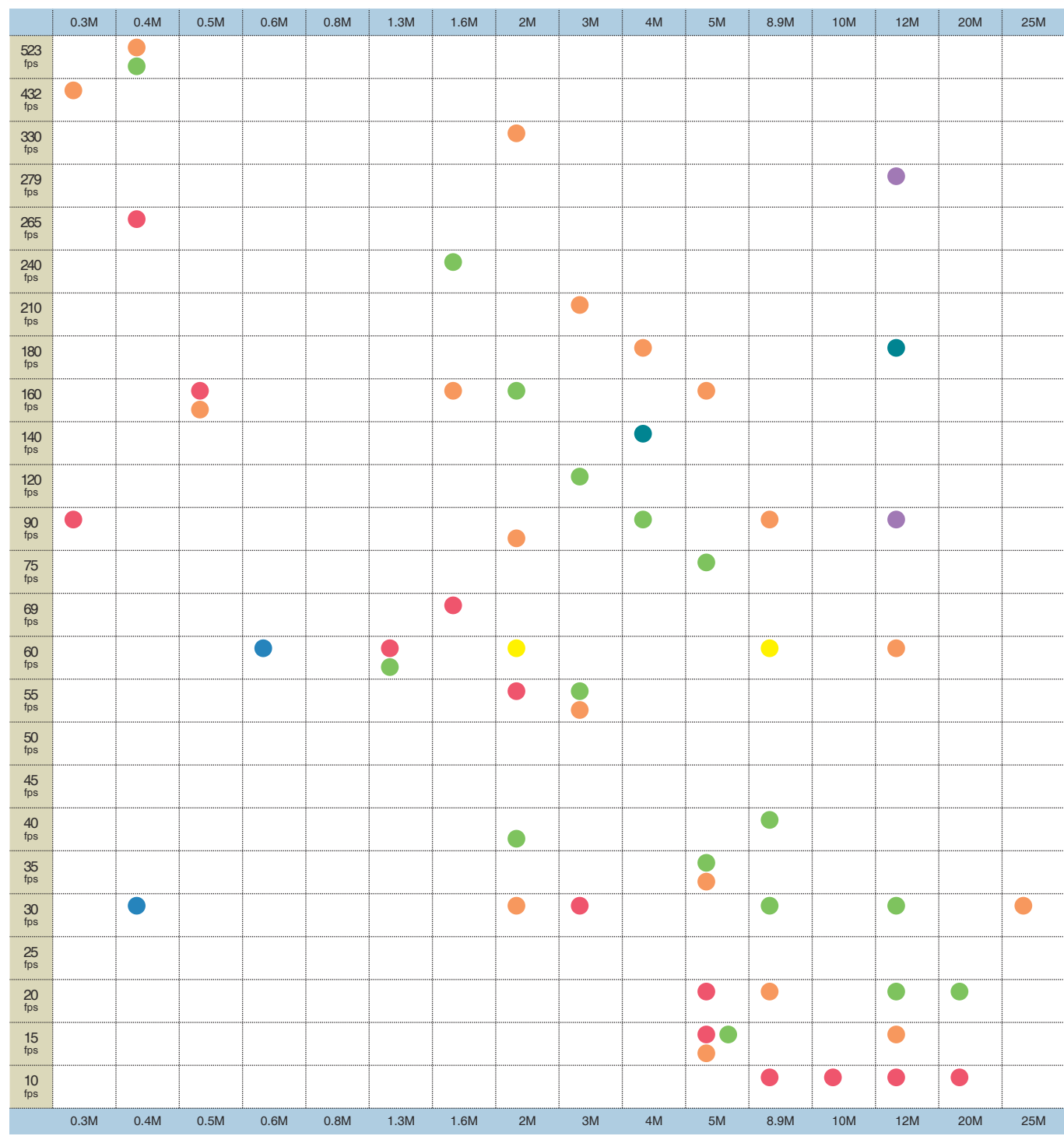
■ Interface when using a PC /
 ■ Interface when not using a PC /
 ■ Interface not offered by OMRON

| Interfaces | GigE Vision® | USB | | CoaXpress | Opt-C:Link | Camera Link | | Analog | HD-DVI | HD-SDI | TV Formats | IEEE1394b | Camera Link HS |
|-----------------------------|---|---|--|---|---|--|---|--|---|-------------------------------|--|---|---|
| | | USB2.0 | USB3.0 | | | Base | Full | | | | | | |
| Monitor Display | PC Required | | | | | | | | Can be connected directly to monitor | | | | |
| Connection Port | Gigabit Ethernet Port | USB2.0 Port | USB3.0 Port | CoaXpress Grabber Board | Opt-C:Link Grabber Board | Camera Link Frame Grabber Board | | Analog Frame Grabber Board | HDMI Port DVI Port | SDI connector | RCA connector BNC connector | Required | Camera Link HS Grabber Board |
| Cable | Ethernet cable Cat 5e or higher | USB2.0 Cable | USB3.0 Cable | Coaxial Cable | Optical cable | Camera Link Cable | | 12-pin Cable | HDMI/DVI Cable | Coaxial Cable for SDI | Coaxial Cable | IEEE1394b Cable | Camera Link HS Cable |
| Max. Cable Length | 100 m | 5 m | 3 m | 25 m | 150 m | Approx. 5 m to 12 m | | 100 m | 5 m | 100 m | 100 m | 100 m | 15 m |
| Image Transmission Capacity | ☆☆ | ☆ | ☆☆☆ | ☆☆☆☆☆ | ☆☆☆☆☆ | ☆☆ | ☆☆☆☆ | ☆☆ | ☆☆ | ☆☆ | ☆ | ☆☆ | ☆☆ |
| Max. Transmission Speed | 122 fps 30 Megapixel - 15 fps 500 Megapixel (1,000Mbps) | 90 fps 30 Megapixel - 15 fps 200 Megapixel (480Mbps) | 123 fps 30 Megapixel - 14 fps 500 Megapixel (5,000Mbps) | 25 Gbps | 12.5 Gbps/ 40 Gbps | 240 fps 30 Megapixel - 16 fps 500 Megapixel (2,380Mbps) | 600 fps 30 Megapixel - 60 fps 1200 Megapixel (7,140Mbps) | 90 fps 30 Megapixel - 15 fps 200 Megapixel | 60 fps 1080 p | 60 fps 1080 p | 59.94 fps 30 Megapixel (interlaced) | 800 Mbps | 2,100 Mbps |
| Power over Cable | ○(PoE Model) | ○(All Models) | | ○ | Separate Power Supply | ○(PoCL Model) | | Separate Power Supply | Separate Power Supply | Separate Power Supply | Separate Power Supply | ○ | ○ |
| Software Provider | Camera Manufacturer | Camera Manufacturer | | Board Manufacturer | Board Manufacturer | Board Manufacturer | | Board Manufacturer | Not required | | | Camera Manufacturer | Board Manufacturer |
| System Cost | Low | Low | | High | High | High | | High | Low | Mid | Low | Low | High |
| Multiple Device Connection | Add Ethernet card or use switching hub | Add USB port expansion card (hub not recommended) | | Add frame grabber board | Add frame grabber board | Add frame grabber board | | Add frame grabber board | Use switcher | | | IEEE1394b expansion card, use hub | Add frame grabber board |
| Advantages | - Long cable length - Cheap cost to connect multiple cameras - Frame grabber not required | - Easy to connect - Low cost - Cheap cost to connect multiple cameras | | - Long cable length - High transmission capacity | - Long cable length - Strong to noise | - Proven track record - High transmission capacity | | - Proven track record - Long cable length | - Can easily be connected directly to monitor | - Long cable length | - Proven track record - Low cost - Long cable length | - Proven track record | - High transmission capacity - Smaller connector compared with Camera Link |
| Disadvantages | - Lower fps comparing with other interfaces | - Short cable length | | - No extensive track record - High board cost | - No extensive track record - Few compatible board | - Short cable length - High board and cable cost - High cost to connect multiple cameras | | - High board and cable cost | - Short cable length - No trigger function | - Few SDI-compatible monitors | - Low resolution | - Short cable length - IEEE1394b card required | - High board and cable cost |
| Main Applications | - Image processing - Monitoring | - Image processing - Monitoring | | - Image processing - Monitoring | - Image processing - Monitoring | - Image processing | | - Image processing | - Monitoring | | - Image processing - Monitoring | - Image processing | - Image processing |

* System costs, advantages and disadvantages are subjective opinions by OMRON

Camera Line-up Chart

The horizontal indicates pixels and the vertical indicates frame rates



- GigE Vision
- USB3.0
- Camera Link
- CoaXPRESS
- OPT-C:Link
- HDMI/DVI/SDI
- Analog Progressive
- TV Format

GigE Vision Small CMOS Camera M Series

GigE



Description

PoE-compatible GigE Vision camera with high-resolution, high-speed CMOS sensor

Features

More compact body

Case comes in two sizes: 29 × 29 mm and 30 × 40 mm

Product Line-up

Global shutter models

| Model | Monochrome/Color | Resolution | Frame Rate | Effective Pixels (H × V) | Sensor Size | Cell Size (μm) | Sensor | Lens Mount |
|----------------|------------------|------------|------------|--------------------------|-------------|----------------|----------|------------|
| STC-MBS43POE | Monochrome | 0.4M | 282.8 fps | 720 × 540 | 1/2.9 | 6.9 × 6.9 | IMX287 | C |
| STC-MCS43POE | Color | | | | | | | |
| STC-MBS52POE | Monochrome | 0.5M | 166.5 fps | 816 × 624 | 1/1.7 | 9 × 9 | IMX433 | C |
| STC-MCS52POE | Color | | | | | | | |
| STC-MBE132POE | Monochrome | 1.3M | 61 fps | 1280 × 1024 | 1/1.8 | 5.3 × 5.3 | EV76C560 | C |
| STC-MCE132POE | Color | | | | | | | |
| STC-MBS163POE | Monochrome | 1.6M | 70.7 fps | 1440 × 1088 | 1/2.9 | 3.45 × 3.45 | IMX273 | C |
| STC-MCS163POE | Color | | | | | | | |
| STC-MBS202POE | Monochrome | 2M | 54.6 fps | 1624 × 1240 | 1/1.7 | 4.5 × 4.5 | IMX430 | C |
| STC-MCS202POE | Color | | | | | | | |
| STC-MBS231POE | Monochrome | 2.3M | 41.6 fps | 1920 × 1200 | 1/1.2 | 5.86 × 5.86 | IMX249 | C |
| STC-MCS231POE | Color | | | | | | | |
| STC-MBS312POE | Monochrome | 3.2M | 34.9 fps | 2048 × 2048 | 2/3 | 3.45 × 3.45 | IMX265 | C |
| STC-MCS312POE | Color | | | | | | | |
| STC-MBS500POE | Monochrome | 5M | 21.9 fps | 2448 × 2048 | 2/3 | 3.45 × 3.45 | IMX264 | C |
| STC-MCS500POE | Color | | | | | | | |
| STC-MBS881POE | Monochrome | 8.9M | 12.4 fps | 4096 × 2160 | 1 | 3.45 × 3.45 | IMX267 | C |
| STC-MCS881POE | Color | | | | | | | |
| STC-MBS122BPOE | Monochrome | 12.3M | 8.9 fps | 4096 × 3000 | 1.1 | 3.45 × 3.45 | IMX255 | C |
| STC-MCS122BPOE | Color | | | | | | | |

Rolling shutter models

| Model | Monochrome/Color | Resolution | Frame Rate | Effective Pixels (H × V) | Sensor Size | Cell Size (μm) | Sensor | Lens Mount |
|----------------|------------------|------------|------------|--------------------------|-------------|----------------|---------|------------|
| STC-MBA503POE | Monochrome | 5M | 14 fps | 2592 × 1944 | 1/2.5 | 2.2 × 2.2 | MT9P031 | C |
| STC-MCA503POE | Color | | | | | | | |
| STC-MBS642POE | Monochrome | 6.4M | 17.4 fps | 3072 × 2048 | 1/1.8 | 2.4 × 2.4 | IMX178 | C |
| STC-MCS642POE | Color | | | | | | | |
| STC-MBA1002POE | Monochrome | 10M | 10.3 fps | 3856 × 2764 | 1/2.3 | 1.67 × 1.67 | MT9J003 | C |
| STC-MBS1242POE | Monochrome | | | | | | | |
| STC-MCS1242POE | Color | 12M | 9.2 fps | 4000 × 3000 | 1/1.7 | 1.85 × 1.85 | IMX226 | C |
| STC-MBS2041POE | Monochrome | | | | | | | |
| STC-MCS2041POE | Color | 20.4M | 5.5 fps | 5472 × 3648 | 1 | 2.4 × 2.4 | IMX183 | C |
| STC-MCS2041POE | Color | | | | | | | |

Accessories

Screw-Fastened GigE Cables

| Model | Length |
|------------|--------|
| FJ-VSG 3M | 3 m |
| FJ-VSG 5M | 5 m |
| FJ-VSG 10M | 10 m |
| FJ-VSG 20M | 20 m |
| FJ-VSG 40M | 40 m |

Power Supply and I/O Cables

| Model | Length |
|-------------|--------|
| FJ-VSP2 3M | 3 m |
| FJ-VSP2 5M | 5 m |
| FJ-VSP2 10M | 10 m |

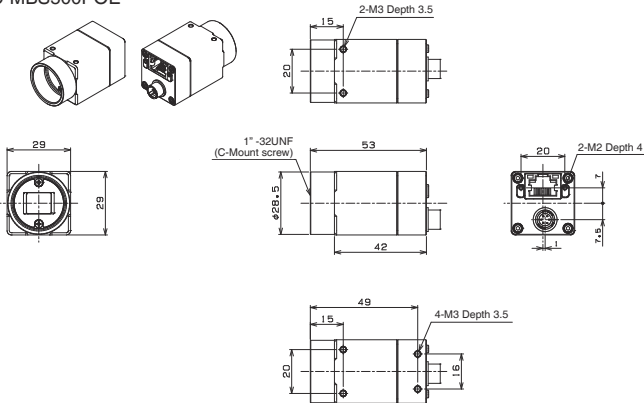
Note. Please connect the cables according to the external connector specifications prescribed in your camera's specification documents, for faulty wiring can cause failure.

| Conversion Cables | | |
|-------------------|------------------|---|
| Model | Applicable Model | General Specifications |
| CAB-KWA-IEA | | Converts 6-pin connector to S Series pin assignment |

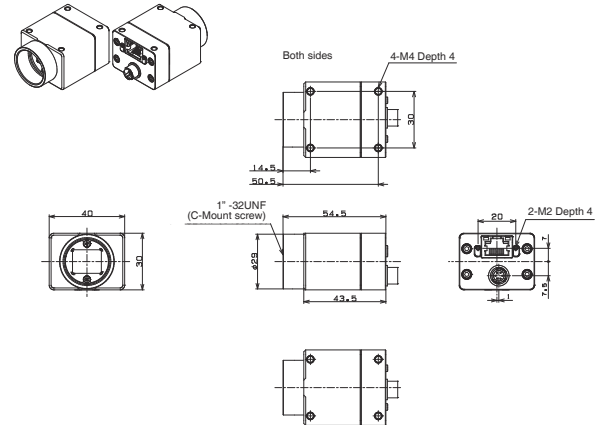
| Tripod | | |
|------------|---------------------------------------|--|
| Model | Applicable Model | General Specifications |
| TP-KWA | GigE Vision M Series | |
| TP-KWA-IEA | GigE Vision M Series | Used to set M Series with sensor center at same height as that of S Series |
| TP-KWA2 | STC-MBS/MCS881POE, STC-MBS/MCS122BPOE | |

Drawing dimension

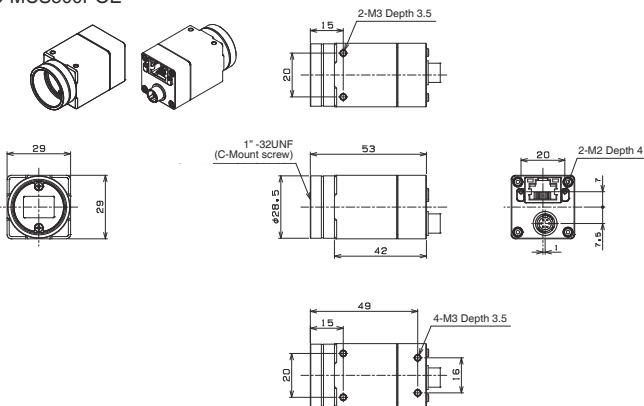
Monochrome
 STC-MBS43POE
 STC-MBS163POE
 STC-MBS312POE
 STC-MBS500POE



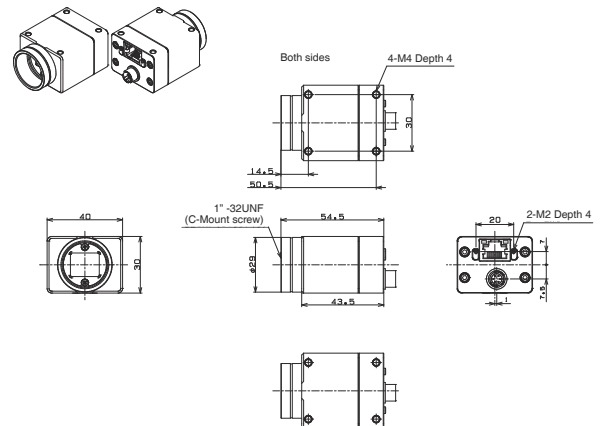
STC-MBS881POE
 STC-MBS122BPOE



Color
 STC-MCS43POE
 STC-MCS163POE
 STC-MCS312POE
 STC-MCS500POE



STC-MCS881POE
 STC-MCS122BPOE



GigE Vision CMOS Camera S Series

GigE



Description

PoE-compatible GigE Vision camera with high-resolution, high-speed CMOS sensor

Features

Sony CMOS [Pregius] adopted cameras are also available
Supports both PoE (Power over Ethernet) and external power source (auto-switch)

Compact, durable case designed for easy mounting

Product Line-up

| Model | Monochrome/Color | Resolution | Frame Rate | Effective Pixels (H x V) | Sensor Size | Cell Size (μm) | Sensor | Lens Mount | General Specifications |
|-----------------|------------------|------------|------------|--------------------------|-------------|----------------|----------|------------|------------------------|
| STC-SBS43POE | Monochrome | 0.4M | 265 fps | 728 × 544 | 1/2.9 | 6.9 × 6.9 | IMX287 | C | |
| STC-SCS43POE | Color | | | | | | | | |
| STC-SBE132POE | Monochrome | 1.3M | 61 fps | 1280 × 1024 | 1/1.8 | 5.3 × 5.3 | EV76C560 | C | |
| STC-SCE132POE | Color | | | | | | | | |
| STC-SBS163POE | Monochrome | 1.6M | 69 fps | 1456 × 1088 | 1/2.9 | 3.45 × 3.45 | IMX273 | C | |
| STC-SCS163POE | Color | | | | | | | | |
| STC-CMB2MPOE | Monochrome | 2M | 50 fps | 2024 × 1088 | 2/3 | 5.5 × 5.5 | CMV2000 | C | |
| STC-CMC2MPOE | Color | | | | | | | | |
| STC-CMB2MPOE-IR | NIR | | | | | | | | |
| STC-SBS231POE | Monochrome | 2.3M | 41.6 fps | 1920 × 1200 | 1/1.2 | 5.86 × 5.86 | IMX249 | C | |
| STC-SCS231POE | Color | | | | | | | | |
| STC-SBS312POE | Monochrome | 3.2M | 33.4 fps | 2048 × 1536 | 1/1.8 | 3.45 × 3.45 | IMX265 | C | |
| STC-SCS312POE | Color | | | | | | | | |
| STC-CMB4MPOE | Monochrome | 4M | 25 fps | 2048 × 2048 | 1 | 5.5 × 5.5 | CMV4000 | C | |
| STC-CMC4MPOE | Color | | | | | | | | |
| STC-CMB4MPOE-IR | NIR | | | | | | | | |
| STC-SBS500POE | Monochrome | 5M | 21 fps | 2448 × 2048 | 2/3 | 3.45 × 3.45 | IMX264 | C | |
| STC-SCS500POE | Color | | | | | | | | |
| STC-SBA503POE | Monochrome | 5M | 14 fps | 2592 × 1944 | 1/2.5 | 2.2 × 2.2 | MT9P031 | C | Rolling shutter |
| STC-SCA503POE | Color | | | | | | | | |
| STC-SCS853POE | Color | 8M | 12.7 fps | 3840 × 2160 | 1/2.5 | 1.62 × 1.62 | IMX274 | C | Rolling shutter |
| STC-SBS1242POE | Monochrome | 12M | 8.7 fps | 4000 × 3000 | 1/1.7 | 1.85 × 1.85 | IMX226 | C | Rolling shutter |
| STC-SCS1242POE | Color | | | | | | | | |

Note. You are recommended to use the GigE Vision M Series because the S Series will be discontinued.

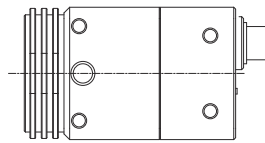
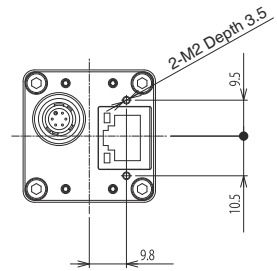
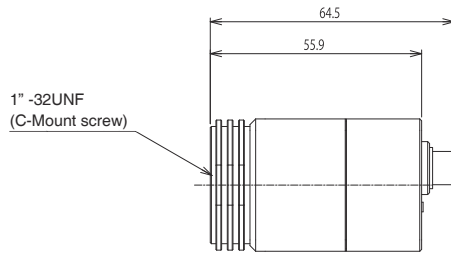
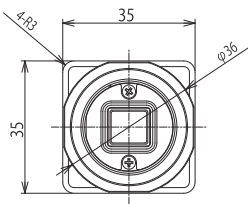
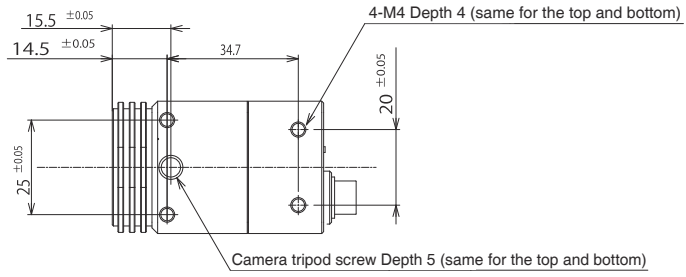
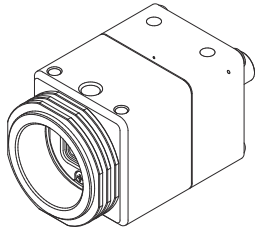
Accessories

| Screw-Fastened GigE Cables | |
|----------------------------|--------|
| Model | Length |
| FJ-VSG 3M | 3 m |
| FJ-VSG 5M | 5 m |
| FJ-VSG 10M | 10 m |
| FJ-VSG 20M | 20 m |
| FJ-VSG 40M | 40 m |

| Power Supply and I/O Cables | |
|-----------------------------|--------|
| Model | Length |
| FJ-VSP2 3M | 3 m |
| FJ-VSP2 5M | 5 m |
| FJ-VSP2 10M | 10 m |

Note. Please connect the cables according to the external connector specifications prescribed in your camera's specification documents, for faulty wiring can cause failure.

Drawing dimension



Note. Drawings are differed by model. Please confirm the CAD data of each model.

GigE Vision CMOS Line Scan Camera

GigE



Description

PoE-compatible GigE Vision line sensor camera

Features

Compact case designed for easy mounting

Offered in 2K, 4K, or 8K

Product Line-up

| Model | Monochrome/Color | Resolution | Line Rate | Pixel size | Sensor | Sensor Type | Lens Mount | | | | | |
|------------------|------------------|------------|-----------|------------|-----------|-------------|------------|--------|--------|-----------|--------|-----|
| FS-B2KU7GES-C | Monochrome | 2048 × 1 | 51 kHz | 7 μm | DR-2K-7 | Single | C | | | | | |
| FS-B2KU7GES-F | | | | | | | F | | | | | |
| FS-B2KU7GES-M42 | | | | | | | M42 | | | | | |
| FS-B4KU7GES-F | | 4096 × 1 | 26 kHz | 7 μm | DR-4K-7 | Single | F | | | | | |
| FS-B4KU7GES-M42 | | | | | | | M42 | | | | | |
| FS-B4KU35GES-C | | 4096 × 1 | 26 kHz | 3.5 μm | DR-4K-3.5 | Single | C | | | | | |
| FS-B4KU35GES-F | | | | | | | F | | | | | |
| FS-B4KU35GES-M42 | | | | | | | M42 | | | | | |
| FS-B8KU35GES-F | | | | | | | 8192 × 1 | 13 kHz | 3.5 μm | DR-8K-3.5 | Single | F |
| FS-B8KU35GES-M42 | | | | | | | | | | | | M42 |

Accessories

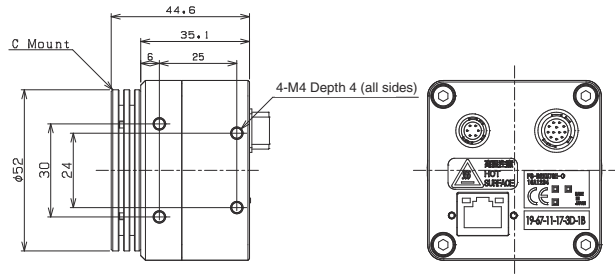
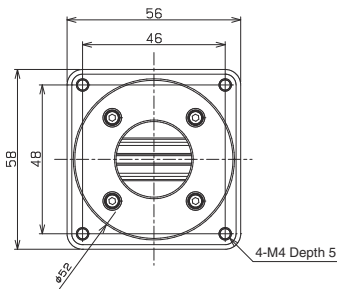
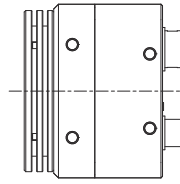
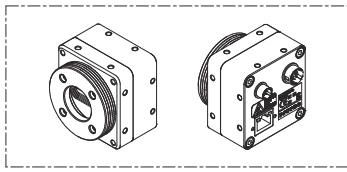
| Screw-Fastened GigE Cables | |
|----------------------------|--------|
| Model | Length |
| FJ-VSG 3M | 3 m |
| FJ-VSG 5M | 5 m |
| FJ-VSG 10M | 10 m |
| FJ-VSG 20M | 20 m |
| FJ-VSG 40M | 40 m |

| Power Supply and I/O Cables | |
|-----------------------------|--------|
| Model | Length |
| FJ-VSP2 3M | 3 m |
| FJ-VSP2 5M | 5 m |
| FJ-VSP2 10M | 10 m |

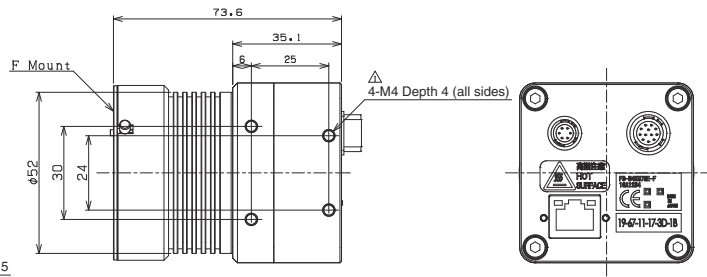
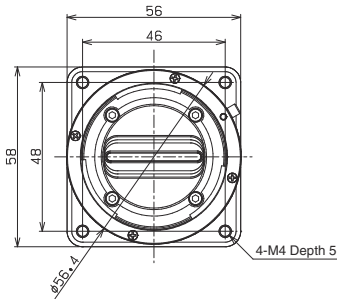
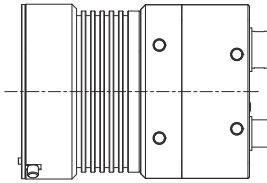
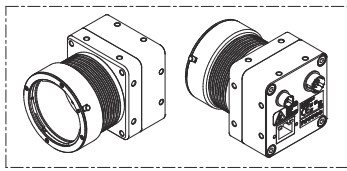
Note. Please connect the cables according to the external connector specifications prescribed in your camera's specification documents, for faulty wiring can cause failure.

Drawing dimension

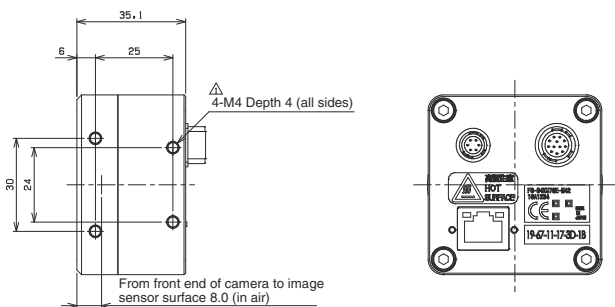
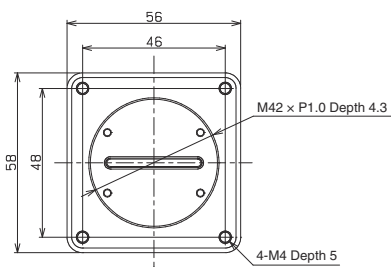
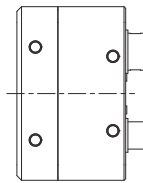
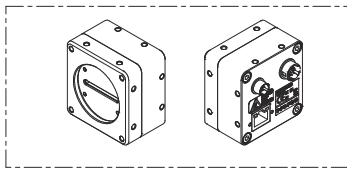
C Mount



F Mount



M42 Mount



USB3.0 Camera

USB3.0



Description

USB3.0 Compact CMOS Camera

Features

Offered in resolutions ranging from 0.4M to 20.4M
Compact, durable case designed for easy mounting

Product Line-up

| Global shutter models | | | | | | | | |
|-----------------------|------------------|------------|------------|--------------------------|-------------|----------------|----------|------------|
| Model | Monochrome/Color | Resolution | Frame Rate | Effective Pixels (H x V) | Sensor Size | Cell Size (µm) | Sensor | Lens Mount |
| STC-MBS43U3V | Monochrome | 0.4M | 527.1 fps | 720 x 540 | 1/2.9 | 6.9 x 6.9 | IMX287 | C |
| STC-MCS43U3V | Color | | | | | | | |
| STC-MBE132U3V | Monochrome | 1.3M | 60 fps | 1280 x 1024 | 1/1.8 | 5.3 x 5.3 | EV76C560 | CS |
| STC-MCE132U3V | Color | | | | | | | |
| STC-MBS163U3V | Monochrome | 1.6M | 238 fps | 1440 x 1080 | 1/2.9 | 3.45 x 3.45 | IMX273 | C |
| STC-MCS163U3V | Color | | | | | | | |
| STC-MBCM200U3V | Monochrome | 2M | 167 fps | 2048 x 1088 | 2/3 | 5.5 x 5.5 | CMV2000 | C |
| STC-MBCM200U3V-NIR | Monochrome NIR | | | | | | | |
| STC-MBS231U3V | Monochrome | 2.3M | 41.6 fps | 1920 x 1200 | 1/1.2 | 5.86 x 5.86 | IMX249 | C |
| STC-MCS231U3V | Color | | | | | | | |
| STC-MBS241U3V | Monochrome | 2.3M | 163 fps | 1920 x 1200 | 1/1.2 | 5.86 x 5.86 | IMX174 | C |
| STC-MCS241U3V | Color | | | | | | | |
| STC-MBS312U3V | Monochrome | 3.2M | 56 fps | 2048 x 1536 | 1/1.8 | 3.45 x 3.45 | IMX265 | C |
| STC-MCS312U3V | Color | | | | | | | |
| STC-MBS312U3V-SE | Monochrome | | | | | | | |
| STC-MCS312U3V-SE | Color | | | | | | | |
| STC-MBS322U3V | Monochrome | 3.2M | 121 fps | 2048 x 1536 | 1/1.8 | 3.45 x 3.45 | IMX252 | C |
| STC-MCS322U3V | Color | | | | | | | |
| STC-MBS322U3V-SE | Monochrome | | | | | | | |
| STC-MCS322U3V-SE | Color | | | | | | | |
| STC-MBCM401U3V | Monochrome | 4M | 89 fps | 2048 x 2048 | 1 | 5.5 x 5.5 | CMV4000 | C |
| STC-MCCM401U3V | Color | | | | | | | |
| STC-MBCM401U3V-NIR | Monochrome NIR | | | | | | | |
| STC-MBS500U3V | Monochrome | 5M | 35.8 fps | 2448 x 2048 | 2/3 | 3.45 x 3.45 | IMX264 | C |
| STC-MCS500U3V | Color | | | | | | | |
| STC-MBS500U3V-SE | Monochrome | | | | | | | |
| STC-MCS500U3V-SE | Color | | | | | | | |
| STC-MBS510U3V | Monochrome | 5M | 75.7 fps | 2448 x 2048 | 2/3 | 3.45 x 3.45 | IMX250 | C |
| STC-MCS510U3V | Color | | | | | | | |
| STC-MBS510U3V-SE | Monochrome | | | | | | | |
| STC-MCS510U3V-SE | Color | | | | | | | |
| STC-MBS70BU3V | Monochrome | 7.1M | 51.2 fps | 3216 x 2208 | 1.1 | 4.5 x 4.5 | IMX428 | C |
| STC-MCS70BU3V | Color | | | | | | | |
| STC-MBS881U3V | Monochrome | 8.9M | 32.5 fps | 4096 x 2160 | 1 | 3.45 x 3.45 | IMX267 | C |
| STC-MCS881U3V | Color | | | | | | | |

Go to the next page

| Model | Monochrome/Color | Resolution | Frame Rate | Effective Pixels (H × V) | Sensor Size | Cell Size (μm) | Sensor | Lens Mount |
|----------------|------------------|------------|------------|--------------------------|-------------|----------------|--------|------------|
| STC-MBS891U3V | Monochrome | 8.9M | 41.9 fps | 4096 × 2160 | 1 | 3.45 × 3.45 | IMX255 | C |
| STC-MCS891U3V | Color | | | | | | | |
| STC-MBS122BU3V | Monochrome | 12.3M | 23.5 fps | 4096 × 3000 | 1.1 | 3.45 × 3.45 | IMX304 | C |
| STC-MCS122BU3V | Color | | | | | | | |
| STC-MBS123BU3V | Monochrome | 12.3M | 30.4 fps | 4096 × 3000 | 1.1 | 3.45 × 3.45 | IMX253 | C |
| STC-MCS123BU3V | Color | | | | | | | |

Note. We recommend that you use an external power supply for 8.9M and 12M cameras, for depending on PC performance, power supplied via USB bus connection alone may not be sufficient for these cameras. Note. Models with "-SE" have been additionally equipped with the Short Exposure Mode feature.

| Rolling shutter models | | | | | | | | |
|------------------------|------------------|------------|------------|--------------------------|-------------|----------------|--------|------------|
| Model | Monochrome/Color | Resolution | Frame Rate | Effective Pixels (H × V) | Sensor Size | Cell Size (μm) | Sensor | Lens Mount |
| STC-MBS1242U3V | Monochrome | 12M | 31.2 fps | 4000 × 3000 | 1/1.7 | 1.85 × 1.85 | IMX226 | C |
| STC-MCS1242U3V | Color | | | | | | | |
| STC-MBS2041U3V | Monochrome | 20.4M | 18.5 fps | 5472 × 3648 | 1 | 2.4 × 2.4 | IMX183 | C |
| STC-MCS2041U3V | Color | | | | | | | |

| Non-USB3 Vision Compliant Models (with Rolling Shutters) | | | | | | | | |
|--|------------------|------------|------------|--------------------------|-------------|----------------|---------|------------|
| Model | Monochrome/Color | Resolution | Frame Rate | Effective Pixels (H × V) | Sensor Size | Cell Size (μm) | Sensor | Lens Mount |
| STC-MBA5MUSB3 | Monochrome | 5M | 14 fps | 2592 × 1944 | 1/2.5 | 2.2 × 2.2 | MT9P031 | CS |
| STC-MCA5MUSB3 | Color | | | | | | | |

Accessories

| USB 3.0 Cables (USB 3.0 Micro-B, with Camera-Side Fastening Screws) | | |
|---|--------|---------------------------------|
| Model | Length | Cable Type |
| CAB-USB3-02 | 2 m | Normal |
| CAB-USB3-03 | 3.5 m | |
| CAB-USB3-05 | 5 m | |
| CAB-USB3-07 | 7 m | |
| CAB-USB3-10 | 10 m | Normal high-transmission cables |
| CAB-USB3-02-RB | 2 m | Robot cables |
| CAB-USB3-03-RB | 3.5 m | |
| CAB-USB3-05-RB | 5 m | |
| CAB-USB3-07-RB | 7 m | |

Note. Please make sure in advance that USB 3.0 cables operate correctly under your environment.

| Mount Conversion Adapter | |
|--------------------------|------------------|
| Model | Applicable Model |
| CS-C-R | CS Mount Series |

| Tripod Mount | |
|--------------|--|
| Model | Applicable Model |
| TP-HCA * | STC-MCE/MBE132U3V, STC-MCA/MBA5MUSB3 |
| TP-JVA | 0.4M, 1.6M, 2M, 2.3M, 3.2M, 4M, 5M (M*S500/510U3V) |
| TP-JQA | 7.1M, 8.9M, 12.3M, 20.4M |

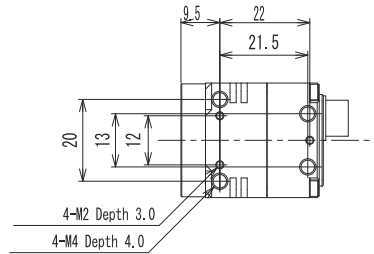
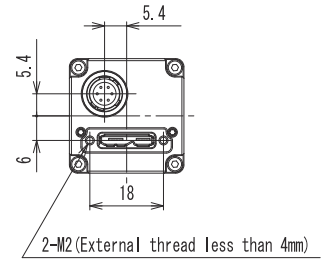
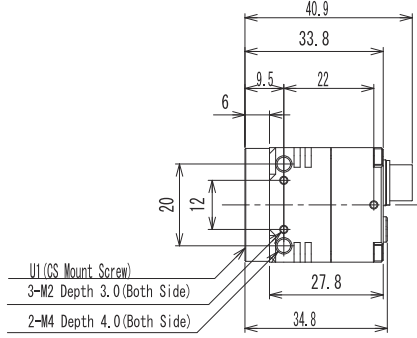
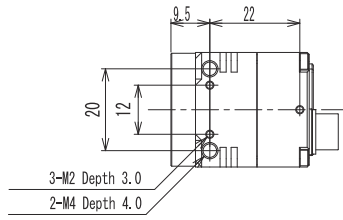
* The tripod mount is screwed at two points on the lens side.

| I/O Cables | |
|-------------|--------|
| Model | Length |
| FJ-VSP2 3M | 3 m |
| FJ-VSP2 5M | 5 m |
| FJ-VSP2 10M | 10 m |

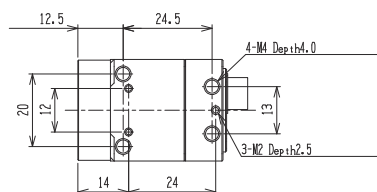
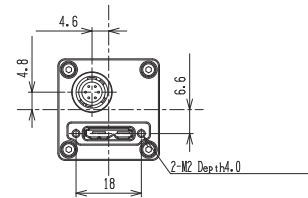
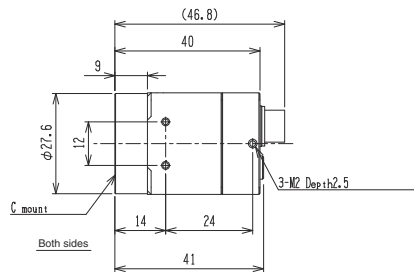
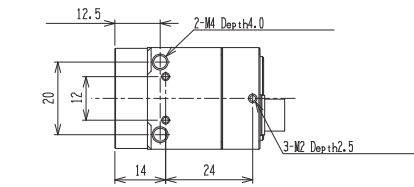
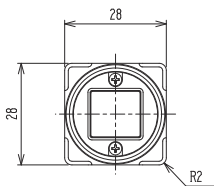
Note. Please connect the cables according to the external connector specifications prescribed in your camera's specification documents, for faulty wiring can cause failure.

Drawing dimension

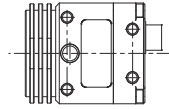
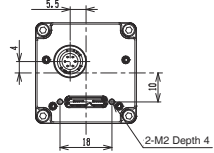
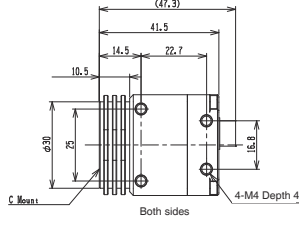
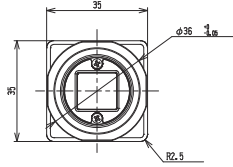
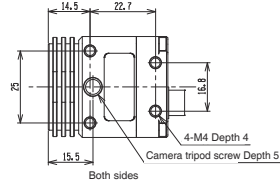
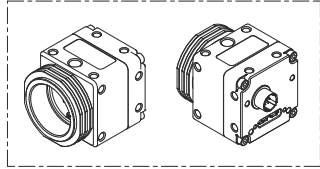
STC-MBE/MCE132U3V
STC-MBA/MCA5MUSB3



STC-MBS/MCS43U3V
STC-MBS/MCS163U3V
STC-MBCM200U3V(-NIR)
STC-MBCM/MCCM401U3V(-NIR)
STC-MBS/MCS241U3V
STC-MBS/MCS231U3V
STC-MBS/MCS312U3V(-SE)
STC-MBS/MCS322U3V(-SE)
STC-MBS/MCS500U3V(-SE)
STC-MBS/MCS510U3V(-SE)



STC-MBS/MCS70BU3V
 STC-MBS/MCS881U3V
 STC-MBS/MCS891U3V
 STC-MBS/MCS122BU3V
 STC-MBS/MCS123BU3V
 STC-MBS/MCS2041U3V



USB3.0

USB3.0 Remote Head Camera

USB3.0



Description

Ultra-compact USB3 Vision remote head camera

Features

Separate sensor head for installation in previously difficult locations. Robust cable ideal for moving parts

Product Line-up

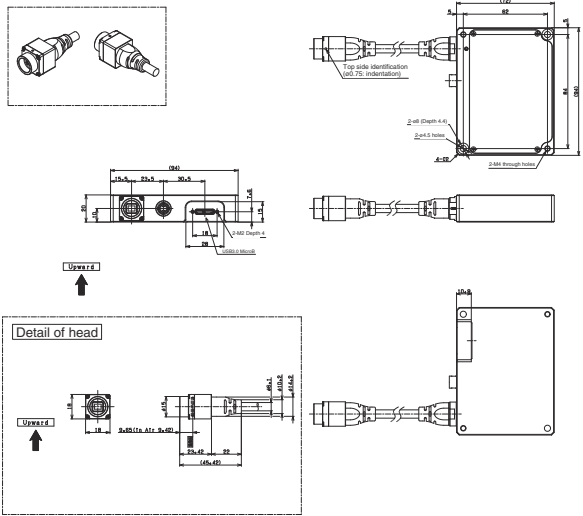
| Model | Monochrome/Color | Resolution | Frame Rate | Effective Pixels (H x V) | Sensor Size | Cell Size (µm) | Sensor | Lens Mount | General Specifications |
|---------------------|------------------|------------|------------|--------------------------|-------------|----------------|--------|------------|--------------------------------------|
| STC-RBS163U3V-UM121 | Monochrome | 1.6M | 238 fps | 1440 x 1080 | 1/2.9 | 3.45 x 3.45 | IMX273 | S | Cable from top, cable length: 1 m |
| STC-RCS163U3V-UM121 | Color | | | | | | | | Cable from top, cable length: 1 m |
| STC-RBS163U3V-SM121 | Monochrome | | | | | | | | Cable from top, cable length: 1 m |
| STC-RCS163U3V-SM121 | Color | | | | | | | | Cable from top, cable length: 2.5 m |
| STC-RBS163U3V-UM12 | Monochrome | | | | | | | | Cable from top, cable length: 2.5 m |
| STC-RCS163U3V-UM12 | Color | | | | | | | | Cable from rear, cable length: 2.5 m |
| STC-RBS163U3V-SM12 | Monochrome | | | | | | | | Cable from rear, cable length: 2.5 m |
| STC-RCS163U3V-SM12 | Color | | | | | | | | Cable from rear, cable length: 2.5 m |

| I/O Cables | |
|-------------|--------|
| Model | Length |
| FJ-VSP2 3M | 3 m |
| FJ-VSP2 5M | 5 m |
| FJ-VSP2 10M | 10 m |

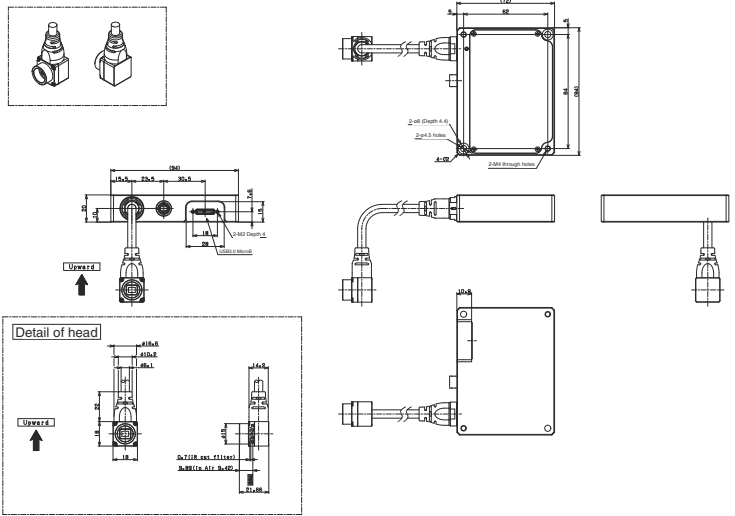
Note. Please connect the cables according to the external connector specifications prescribed in your camera's specification documents, for faulty wiring can cause failure.

Drawing dimension

STC-RBS/RCS163U3V-SM121(SM12)



STC-RBS163/RCS163U3V-UM121(UM12)



USB3.0

CoaXPress Camera



Description

High Speed CMOS CoaXPress Camera

Features

4M, 12M

Compact case makes CoaXPress an ideal replacement for Camera Link cameras

PoCXP compliant

CoaXPress

Product Line-up

| Model | Monochrome/Color | Resolution | Frame Rate | Effective Pixels (H x V) | Sensor Size | Cell Size (µm) | Sensor | Lens Mount | General Specifications |
|--------------------|------------------|------------|------------|--------------------------|-------------|----------------|----------|------------|--|
| STC-CMB401CXP | Monochrome | 4M | 142.5 fps | 2048 x 2048 | 1 | 5.5 x 5.5 | CMV4000 | C | CXP3 or 6 x 1 Lane |
| STC-CMC401CXP | Color | | | | | | | | |
| STC-CMB120ACXP | Monochrome | 12M | 186.9 fps | 4096 x 3072 | 1.76 | 5.5 x 5.5 | CMV12000 | M42 | CXP6 x 4, 2, 1 Lane Cable from rear |
| STC-CMC120ACXP | Color | | | | | | | | |
| STC-CMB120ACXP-T | Monochrome | | | | | | | | |
| STC-CMC120ACXP-T | Color | | | | | | | | |
| STC-CMB120ACXP-F | Monochrome | | | | | | | | |
| STC-CMC120ACXP-F | Color | | | | | | | | |
| STC-CMB120ACXP-T-F | Monochrome | | | | | | | F | CXP6 x 4, 2, 1 Lane Cable from rear |
| STC-CMC120ACXP-T-F | Color | | | | | | | | |
| STC-CMC120ACXP-T-F | Color | | | | | | | | |

Accessories

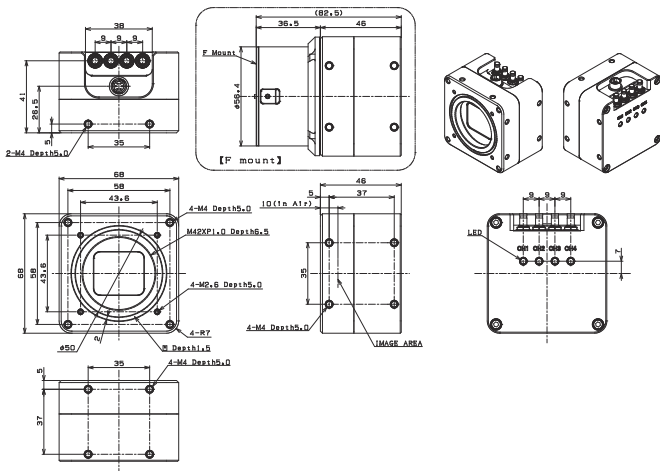
| Mount Conversion Adapter | | |
|--------------------------|------------------|---|
| Model | Applicable Model | General Specifications |
| M42-F-R | 12M Model | M42 P=1 FB=10 mm → F mount Conversion Adapter |

| I/O Cables | |
|-------------|--------|
| Model | Length |
| FJ-VSP2 3M | 3 m |
| FJ-VSP2 5M | 5 m |
| FJ-VSP2 10M | 10 m |

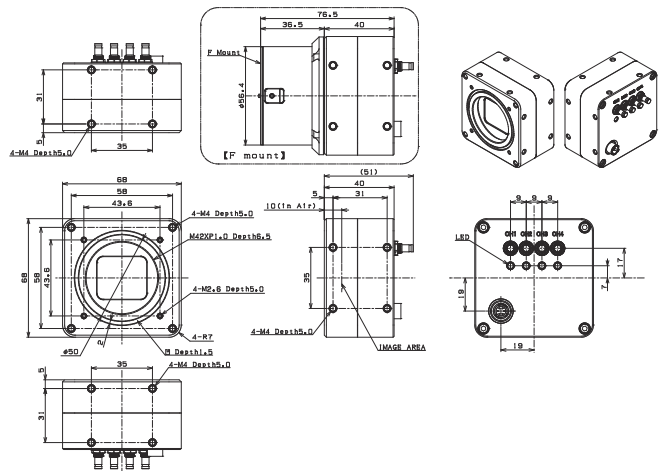
Note. Please connect the cables according to the external connector specifications prescribed in your camera's specification documents, for faulty wiring can cause failure.

Drawing dimension

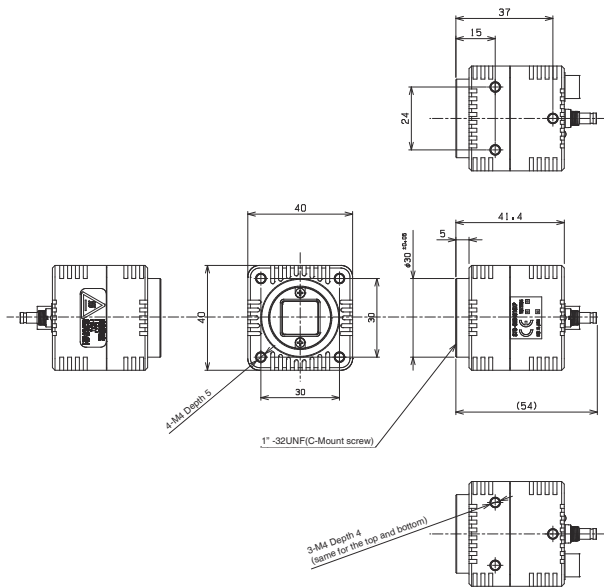
STC-CMB/CMC120ACXP-T
STC-CMB/CMC120ACXP-T-F



STC-CMB/CMC120ACXP
STC-CMB120ACXP-F/CMC120ACXP-F



STC-CMB/CMC401CXP



Opt-C:Link Camera



Description

High Speed Opt-C: Link

Features

Video capture resolution of 12MP@279 fps (40 Gbps models)
 Fiber-optic cable allows for noise resistance and longer cable distance
 Can be used in moving parts by connecting with commercially available flexible cables

Opt-C:Link

Product Line-up

| Model | Monochrome/Color | Resolution | Frame Rate | Effective Pixels (H x V) | Sensor Size | Cell Size (µm) | Sensor | Lens Mount | General Specifications |
|------------------|------------------|------------|------------|--------------------------|-------------|----------------|----------|------------|---|
| STC-CMB120AOPT-F | Monochrome | 12M | 93.4 fps | 4096 x 3072 | 1.76 | 5.5 x 5.5 | CMV12000 | F | External power supply, SFP+optical connector x 2 |
| STC-CMC120AOPT-F | Color | | | | | | | | |
| STC-CMB120AOPQ | Monochrome | 12M | 279 fps | 4096 x 3072 | 1.76 | 5.5 x 5.5 | CMV12000 | M42 | External power supply, QSPF+optical connector x 1 40 Gbps |
| STC-CMC120AOPQ | Color | | | | | | | | |
| STC-CMB120AOPQ-F | Monochrome | 12M | 279 fps | 4096 x 3072 | 1.76 | 5.5 x 5.5 | CMV12000 | F | External power supply, QSPF+optical connector x 1 40 Gbps |
| STC-CMC120AOPQ-F | Color | | | | | | | | |

Accessories

Mount Conversion Adapter

| Model | Applicable Model | General Specifications |
|---------|------------------|---|
| M42-F-R | 12M | M42 P=1 FB=10 mm → F mount Conversion Adapter |

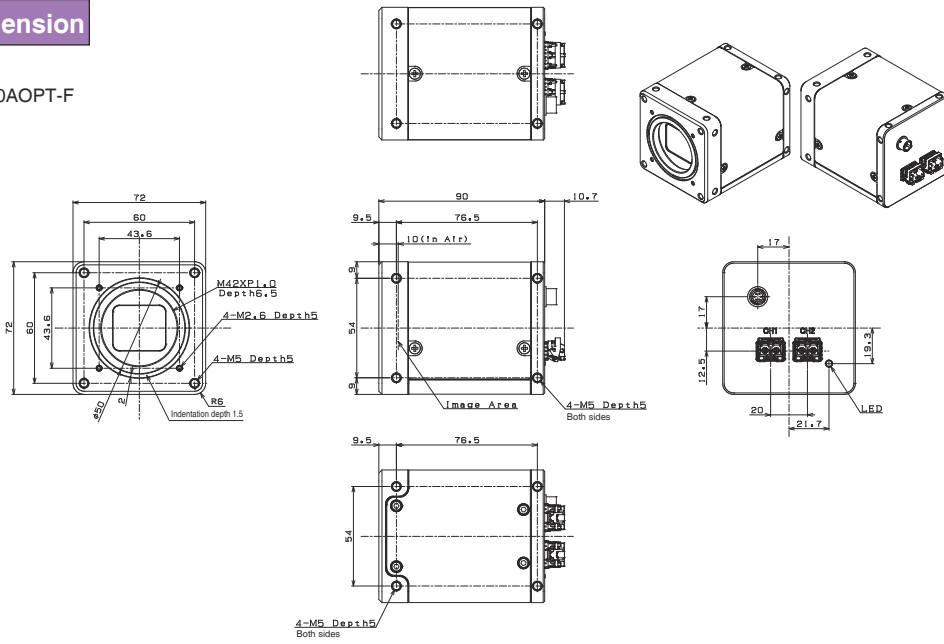
Power Supply and I/O Cables

| Model | Length |
|-------------|--------|
| FJ-VSP2 3M | 3 m |
| FJ-VSP2 5M | 5 m |
| FJ-VSP2 10M | 10 m |

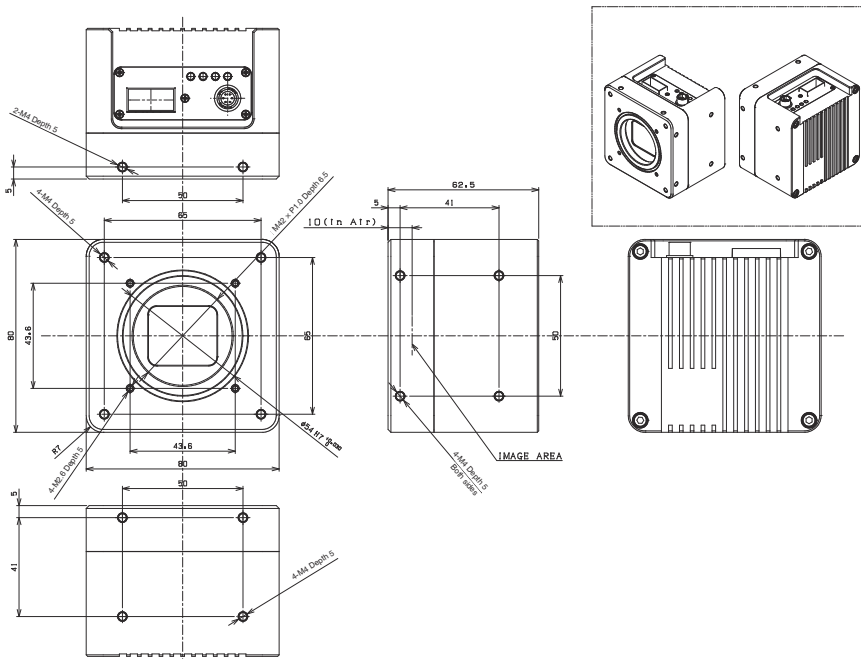
Note. Please connect the cables according to the external connector specifications prescribed in your camera's specification documents, for faulty wiring can cause failure.

Drawing dimension

STC-CMB/CMC120AOPT-F



STC-CMB(C)120AOPQ



Camera Link CMOS Camera



Description

High Speed CMOS Camera Link Series

Features

0.5M, 2M, and high-resolution 25M models newly added to product lineup

Product Line-up

| Model | Monochrome/Color | Resolution | Frame Rate | Effective Pixels (H x V) | Sensor Size | Cell Size (μm) | Sensor | Lens Mount | General Specifications |
|-------------------|------------------|------------|------------|--------------------------|-------------|----------------|----------|------------|---|
| STC-CMB33PCL | Monochrome | VGA | 432 fps | 642 × 484 | 1/3 | 7.4 × 7.4 | CMV300 | C | PoCL, automatically switched, SDR connector × 2 |
| STC-CMC33PCL | Color | | | | | | | | |
| STC-SPB43PCL | Monochrome | 0.4M | 523.6 fps | 720 × 540 | 1/2.9 | 6.9 × 6.9 | IMX287 | C | PoCL, automatically switched, SDR connector × 1 |
| STC-SPC43PCL | Color | | | | | | | | |
| STC-SPB52PCL | Monochrome | 0.5M | 166.5 fps | 810 × 620 | 1/1.7 | 9 × 9 | IMX433 | C | PoCL, automatically switched, SDR connector × 2 |
| STC-SPC52PCL | Color | | | | | | | | |
| STC-SPB163PCL | Monochrome | 1.6M | 155 fps | 1440 × 1080 | 1/2.9 | 3.45 × 3.45 | IMX273 | C | PoCL, automatically switched, SDR connector × 1 |
| STC-SPC163PCL | Color | | | | | | | | |
| STC-SPB202PCL | Monochrome | 2M | 89.1 fps | 1620 × 1240 | 1/1.7 | 4.5 × 4.5 | IMX430 | C | PoCL, automatically switched, SDR connector × 2 |
| STC-SPC202PCL | Color | | | | | | | | |
| STC-CMB200PCL | Monochrome | 2M | 333.3 fps | 2048 × 1088 | 2/3 | 5.5 × 5.5 | CMV2000 | C | PoCL, automatically switched, SDR connector × 2 |
| STC-CMC200PCL | Color | | | | | | | | |
| STC-CMB200PCL-NIR | Monochrome NIR | | | | | | | | |
| STC-SPB312PCL | Monochrome | 3.2M | 55.4 fps | 2048 × 1536 | 1/1.8 | 3.45 × 3.45 | IMX265 | C | PoCL, automatically switched, SDR connector × 1 |
| STC-SPC312PCL | Color | | | | | | | | |
| STC-SPB322PCL | Monochrome | 3.2M | 216.2 fps | 2048 × 1536 | 1/1.8 | 3.45 × 3.45 | IMX252 | C | PoCL, automatically switched, SDR connector × 2 |
| STC-SPC322PCL | Color | | | | | | | | |
| STC-CMB401PCL | Monochrome | 4M | 179.2 fps | 2048 × 2048 | 1 | 5.5 × 5.5 | CMV4000 | C | PoCL, automatically switched, SDR connector × 2 |
| STC-CMC401PCL | Color | | | | | | | | |
| STC-CMB401PCL-NIR | Monochrome NIR | | | | | | | | |
| STC-APB503PCL | Monochrome | 5M | 14 fps | 2592 × 1944 | 1/2.5 | 2.2 × 2.2 | MT9P031 | C | PoCL only SDR connector × 2 |
| STC-APC503PCL | Color | | | | | | | | |
| STC-SPB500PCL | Monochrome | 5M | 35.7 fps | 2448 × 2048 | 2/3 | 3.45 × 3.45 | IMX264 | C | PoCL, automatically switched, SDR connector × 1 |
| STC-SPC500PCL | Color | | | | | | | | |
| STC-SPB510PCL | Monochrome | 5M | 163.4 fps | 2448 × 2048 | 2/3 | 3.45 × 3.45 | IMX250 | C | PoCL, automatically switched, SDR connector × 2 |
| STC-SPC510PCL | Color | | | | | | | | |
| STC-SPB881PCL | Monochrome | 8.9M | 20.6 fps | 4096 × 2160 | 1 | 3.45 × 3.45 | IMX267 | C | PoCL, automatically switched, SDR connector × 1 |
| STC-SPC881PCL | Color | | | | | | | | |
| STC-SPB891PCL | Monochrome | 8.9M | 91.9 fps | 4096 × 2160 | 1 | 3.45 × 3.45 | IMX255 | C | PoCL, automatically switched, SDR connector × 2 |
| STC-SPC891PCL | Color | | | | | | | | |
| STC-SPB122BPCL | Monochrome | 12.3M | 15 fps | 4096 × 3000 | 1.1 | 3.45 × 3.45 | IMX304 | C | PoCL, automatically switched, SDR connector × 1 |
| STC-SPC122BPCL | Color | | | | | | | | |
| STC-SPB123BPCL | Monochrome | 12.3M | 66.9 fps | 4096 × 3000 | 1.1 | 3.45 × 3.45 | IMX253 | C | PoCL, automatically switched, SDR connector × 2 |
| STC-SPC123BPCL | Color | | | | | | | | |
| STC-CMB120APCL | Monochrome | 12M | 62.3 fps | 4096 × 3072 | 1.76 | 5.5 × 5.5 | CMV12000 | M42 | PoCL, automatically switched, SDR connector × 2 |
| STC-CMC120APCL | Color | | | | | | | | |
| STC-CMB120APCL-F | Monochrome | | | | | | | F | PoCL, automatically switched, SDR connector × 2 |
| STC-CMC120APCL-F | Color | | | | | | | | |

Go to the next page

| Model | Monochrome/Color | Resolution | Frame Rate | Effective Pixels (H × V) | Sensor Size | Cell Size (μm) | Sensor | Lens Mount | General Specifications |
|----------------|------------------|------------|------------|--------------------------|-----------------------------|----------------|------------|------------|---|
| STC-OSB250CL | Monochrome | 25M | 31.8 fps | 5120 × 5120 | APS-H (32.6 mm diagonal) | 4.5 × 4.5 | PYTHON 25K | M42 | PoCL not supported SDR connector × 2 |
| STC-OSB250CL-F | | | | | | | | F | PoCL not supported SDR connector × 2 |

Accessories

Mount Conversion Adapter

| Model | Applicable Model | General Specifications |
|---------|------------------|---|
| M42-F-R | 12M, 25M | M42 P=1 FB=10 mm → F mount Conversion Adapter |

Tripod Mount

| Model | Applicable Model |
|--------|--|
| TP-JQA | VGA, 2M (CM*200PCL), 3.2M, 4M, 5M (SP*500/510PCL), 8.9M, 12.3M |

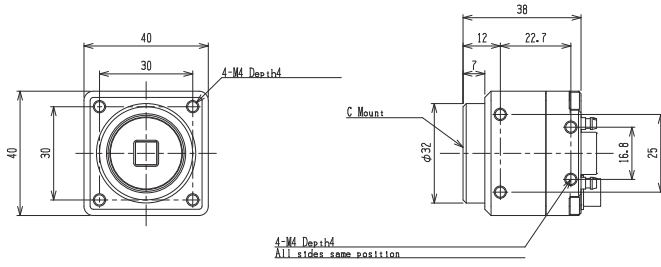
Power Supply and I/O Cables

| Model | Length |
|-------------|--------|
| FJ-VSP2 3M | 3 m |
| FJ-VSP2 5M | 5 m |
| FJ-VSP2 10M | 10 m |

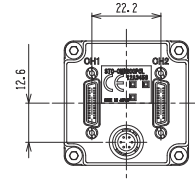
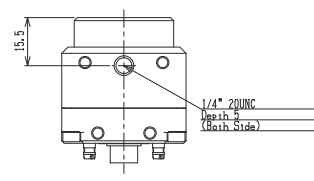
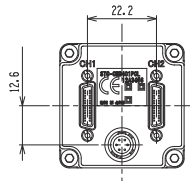
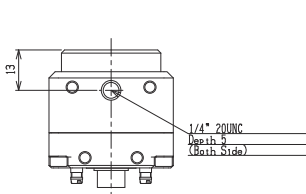
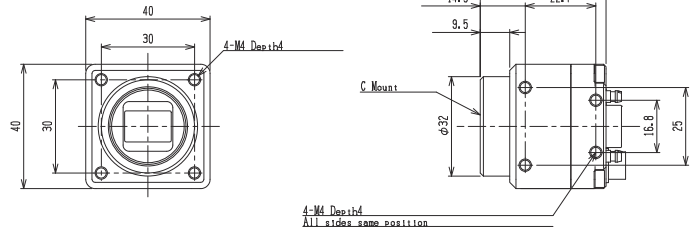
Note. Please connect the cables according to the external connector specifications prescribed in your camera's specification documents, for faulty wiring can cause failure.

Drawing dimension

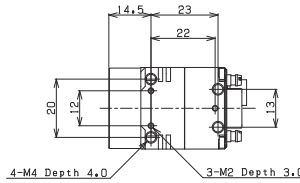
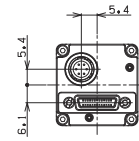
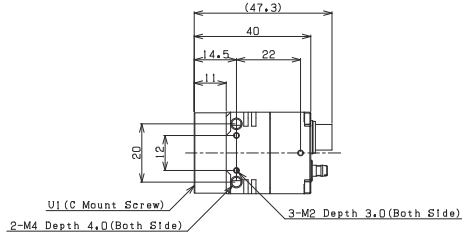
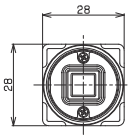
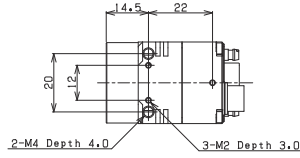
STC-CMB/CMC33PCL



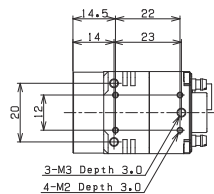
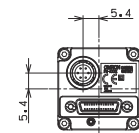
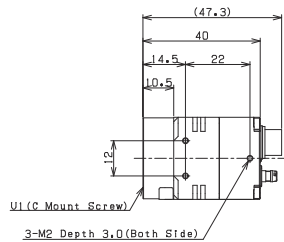
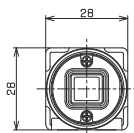
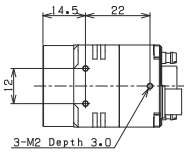
STC-CMB/CMC200PCL
STC-CMB/CMC401PCL



STC-APB/APC503PCL



STC-SPB/SPC43PCL
STC-SPB/SPC52PCL
STC-SPB/SPC163PCL
STC-SPB/SPC202PCL



Camera Link Remote Head Camera



Description

Ultra-compact remote head Camera Link camera

Features

Separate sensor head for installation in previously difficult locations

Bend-resistant cable ideal for moving parts

Product Line-up

| Model | Monochrome/Color | Resolution | Frame Rate | Effective Pixels (H x V) | Sensor Size | Cell Size (μm) | Sensor | Lens Mount | General Specifications |
|--------------------|------------------|------------|------------|--------------------------|-------------|----------------|--------|------------|---|
| STC-RBS43PCL-SM12 | Monochrome | 0.4M | 523.6 fps | 720 × 540 | 1/2.9 | 6.9 × 6.9 | IMX287 | S | PoCL, automatically switched, SDR connector × 1 Cable from rear, cable length: 2.5 m |
| STC-RCS43PCL-SM12 | Color | | | | | | | | |
| STC-RBS43PCL-UM12 | Monochrome | | | | | | | | |
| STC-RCS43PCL-UM12 | Color | | | | | | | | |
| STC-RBS163PCL-SM12 | Monochrome | 1.6M | 236.3 fps | 1440 × 1080 | 1/2.9 | 3.45 × 3.45 | IMX273 | S | PoCL, automatically switched, SDR connector × 1 Cable from rear, cable length: 2.5 m |
| STC-RCS163PCL-SM12 | Color | | | | | | | | |
| STC-RBS163PCL-UM12 | Monochrome | | | | | | | | |
| STC-RCS163PCL-UM12 | Color | | | | | | | | |

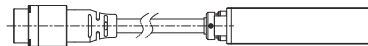
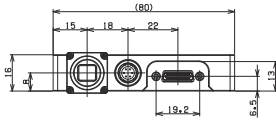
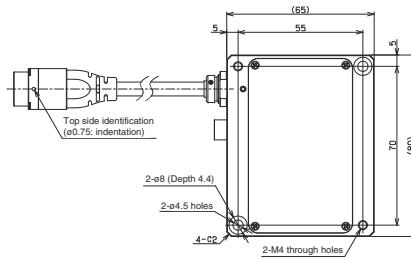
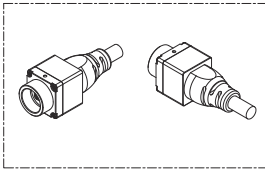
Accessories

| Power Supply and I/O Cables | |
|-----------------------------|--------|
| Model | Length |
| FJ-VSP2 3M | 3 m |
| FJ-VSP2 5M | 5 m |
| FJ-VSP2 10M | 10 m |

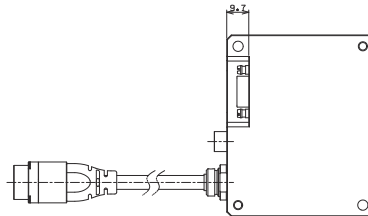
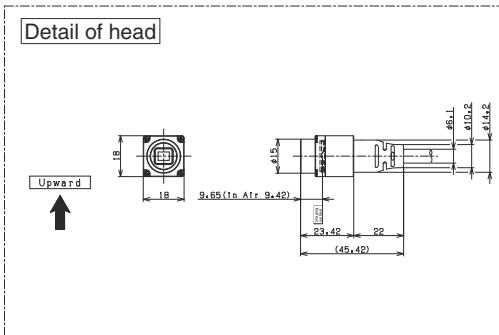
Note. Please connect the cables according to the external connector specifications prescribed in your camera's specification documents, for faulty wiring can cause failure.

Drawing dimension

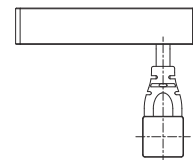
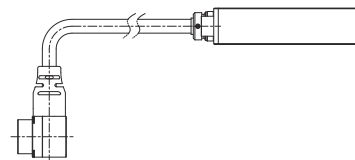
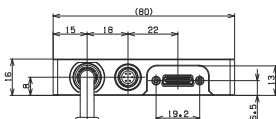
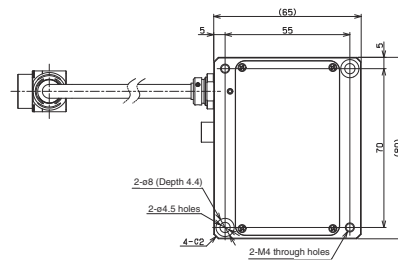
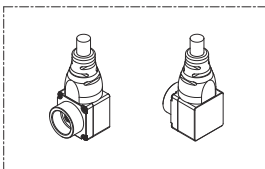
STC-RBS/RCS43PCL-SM12
STC-RBS/RCS163PCL-SM12



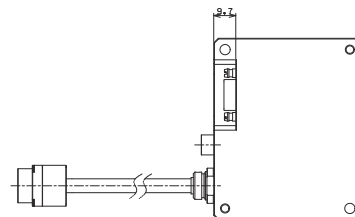
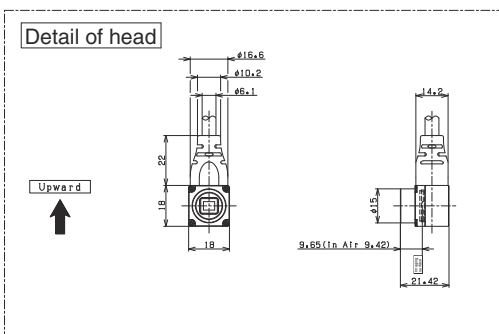
Upward



STC-RBS/RCS43PCL-UM12
STC-RBS/RCS163PCL-UM12



Upward



Camera Link Line Scan Camera



Description

Camera Link Line Scan Camera

Features

2K-16K models with high-speed CMOS sensor
A rich assortment of features including FFC and ROI;
compact case designed for easy installation

Product Line-up

| Model | Monochrome/Color | Resolution | Line Rate | Pixel size | Sensor | Sensor Type | Lens Mount | |
|-------------------|------------------|------------|-----------|--------------------|------------|-----------------------|------------|-----|
| FS-B2KU7CLU-C | Monochrome | 2048 × 1 | 80 kHz | 7 μm | DR-2K-7 | Single | C | |
| FS-B2KU7CLU-F | | | | | | | F | |
| FS-B2KU7CLU-M42 | | | | | | | M42 | |
| FS-B4KU7CLU-F | | 4096 × 1 | | 7 μm | DR-4K-7 | Single | F | |
| FS-B4KU7CLU-M42 | | | | | | | M42 | |
| FS-B4KU35CLU-C | | 4096 × 1 | | 3.5 μm | DR-4K-3.5 | Single | C | |
| FS-B4KU35CLU-F | | | F | | | | | |
| FS-B4KU35CLU-M42 | | | M42 | | | | | |
| FS-B8KU7CLU-M72 | | 8192 × 1 | 7 μm | DR-8K-7 | Single | M72 | | |
| FS-B8KU35CLU-F | | | | | | F | | |
| FS-B8KU35CLU-M42 | | | M42 | | | | | |
| FS-B16KU35CLU-M72 | | 16384 × 1 | 40 kHz | 3.5 μm | DR-16K-3.5 | Single | M72 | |
| FS-B2KU7DCLU-C | | Color | 2048 × 2 | 160 kHz/ 80 kHz | 7 μm | DR-2 × 2K-7-inver | Dual | C |
| FS-B2KU7DCLU-F | | | | | | | | F |
| FS-B2KU7DCLU-M42 | | | | | | | | M42 |
| FS-B4KU7DCLU-F | | | 4096 × 2 | 160 kHz | 7 μm | DR-2 × 4K-7-inver | Dual | F |
| FS-B4KU7DCLU-M42 | M42 | | | | | | | |
| FS-B8KU7DCLU-M72 | 8192 × 2 | | 7 μm | DR-2 × 8K-7 | Dual | M72 | | |
| FS-C2KU7DCLU-C | Color | | 2048 × 2 | 26 kHz | 7 μm | DR-2 × 2K-7-inver-RGB | Dual | C |
| FS-C2KU7DCLU-F | | | | | | | | F |
| FS-C2KU7DCLU-M42 | | | | | | | | M42 |
| FS-C4KU7DCLU-F | | | 4096 × 2 | 13 kHz | 7 μm | DR-2 × 4K-7-inver-RGB | Dual | F |
| FS-C4KU7DCLU-M42 | | | | | | | | M42 |
| FS-C8KU7DCLU-M72 | | | 8192 × 2 | 40 kHz | 7 μm | DR-2 × 8K-7-RGB | Dual | M72 |

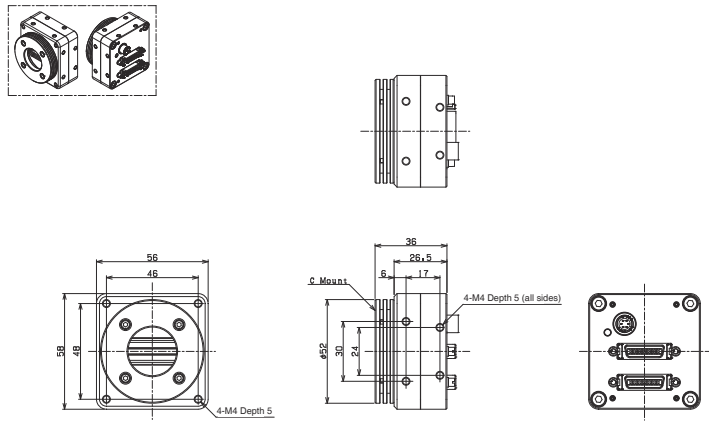
Accessories

| Power Supply and I/O Cables | |
|-----------------------------|--------|
| Model | Length |
| FJ-VSP2 3M | 3 m |
| FJ-VSP2 5M | 5 m |
| FJ-VSP2 10M | 10 m |

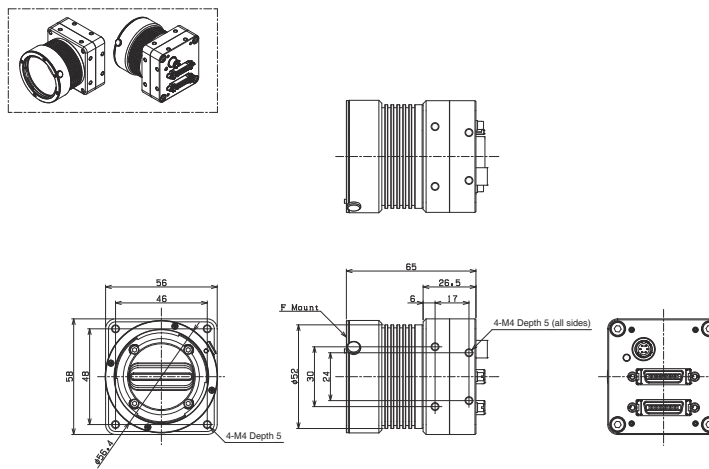
Note. Please connect the cables according to the external connector specifications prescribed in your camera's specification documents, for faulty wiring can cause failure.

Drawing dimension

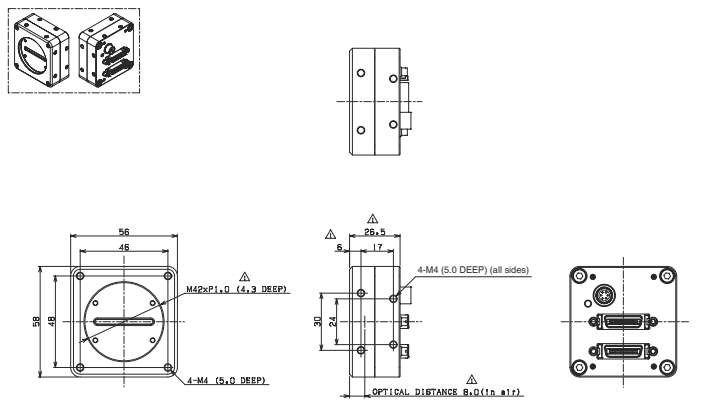
C Mount (2K/4K)



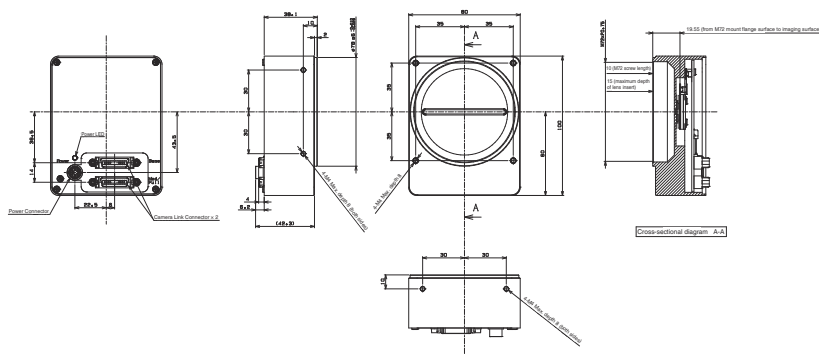
F Mount (2K/4K/8K)



M42 Mount (2K/4K/8K)



M72 Mount (8K/16K)



4K HDMI Camera



Description

HDMI Output 4K Color Camera

Features

4K video can be output at 60 fps to monitor directly connected via HDMI cable

Available 120 fps output (1080 p) at Full HD mode (1080P/120 fps monitor)

Connectable to the monitor directly using HDMI connector

Optimized for observing system which cannot use PC

Product Line-up

| Model | Monochrome/Color | Resolution | Frame Rate | Effective Pixels (H × V) | Sensor Size | Cell Size (μm) | Sensor | Lens Mount |
|---------------|------------------|------------|------------|--------------------------|-------------|----------------|--------|------------|
| STC-HD853HDMI | Color | 2160P | 60 fps | 3840 × 2160 | 1/2.5 | 1.62 × 1.62 | IMX274 | C |

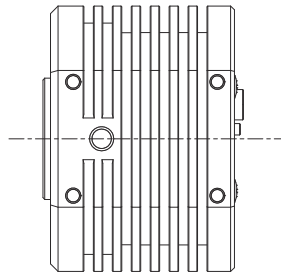
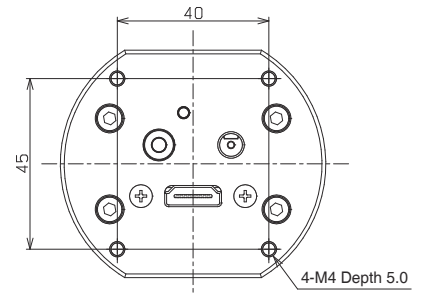
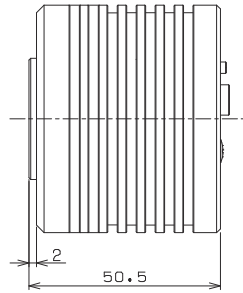
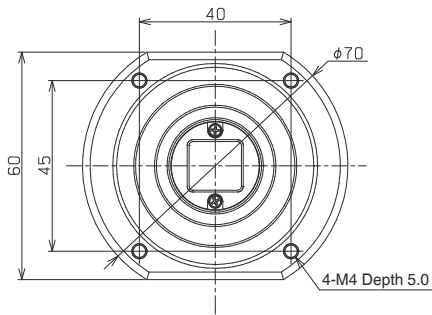
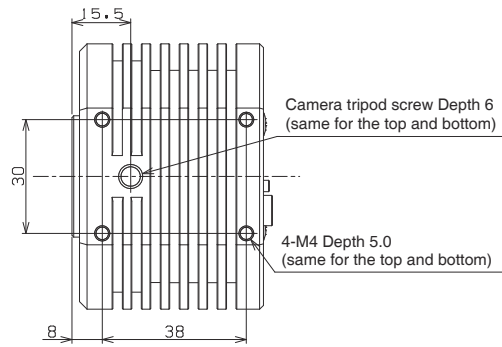
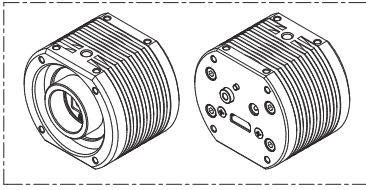
Accessories

| Remote Control Unit | | |
|---------------------|------------------|------------------------|
| Model | Applicable Model | General Specifications |
| RC-HD133 | HDMI/DVI/SDI | ø3.5 stereo pin jack |

Note. Ask your Omron representative about AC adapter.

Drawing dimension

STC-HD853HDMI



HD High-Definition Camera



Description

DVI Output Color Camera

Features

Connect directly to monitor with HDMI connector to build observing system without PC. Use of optional remote unit enables crosshair and shadow masks to be displayed on screen.

Product Line-up

| Model | Monochrome/Color | Resolution | Frame Rate | Effective Pixels (H × V) | Sensor Size | Cell Size (μm) | Sensor | Lens Mount |
|-----------------|------------------|-----------------|------------|--------------------------|-------------|----------------|--------|------------|
| STC-HD203DV | Color | 1080P/ 1080i | 60 fps | 1920 × 1080 | 1/2.8 | 2.8 × 2.8 | IMX136 | C |
| STC-HD203DV-CS | | | | | | | | CS |
| STC-HD213DV* | | | | | | | IMX291 | C |
| STC-HD213DV-CS* | | | | | | | | CS |

Note. Sales of STC-HD203DV and HD203DV-CS are set to be discontinued. STC-HD213DV and HD213DV-CS are successors to these products.

* These models are coming soon.

Accessories

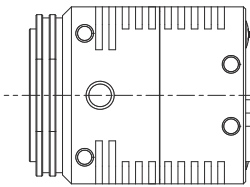
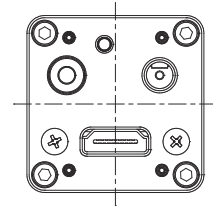
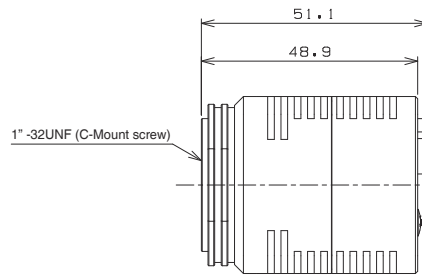
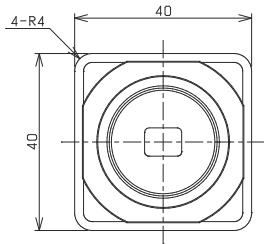
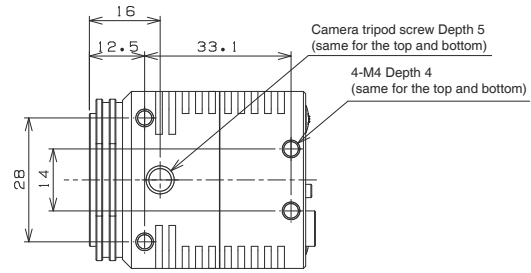
| Mount Conversion Adapter | | |
|--------------------------|------------------|------------------------|
| Model | Applicable Model | General Specifications |
| CS-C-R | CS Mount Series | |

| Remote Control Unit | | |
|---------------------|------------------|------------------------|
| Model | Applicable Model | General Specifications |
| RC-HD133 | HDMI/DVI/SDI | ø3.5 stereo pin jack |

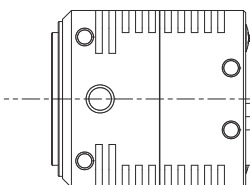
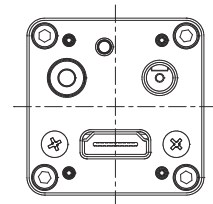
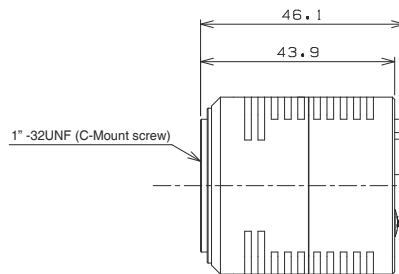
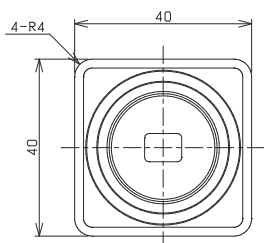
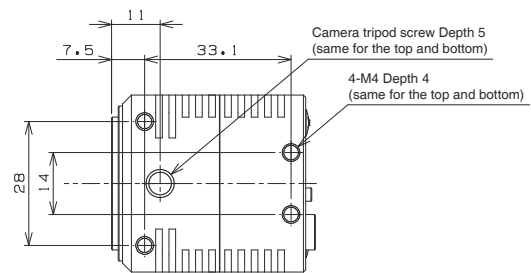
Note. Ask your Omron representative about AC adapter.

Drawing dimension

STC-HD203DV



STC-HD203DV-CS



HDMI/DVI/SDI

HD-SDI High-Definition Camera



Description

HD-SDI Output Color Camera

Features

Connect directly to monitor with versatile BNC connector. Suitable for long distance image transmission. Use of optional remote unit enables crosshair and shadow masks to be displayed on screen.

Product Line-up

| Model | Monochrome/Color | Resolution | Frame Rate | Effective Pixels (H x V) | Sensor Size | Cell Size (μm) | Sensor | Lens Mount |
|------------------|------------------|-------------|------------|--------------------------|-------------|----------------|--------|------------|
| STC-HD203SDI | Color | 1080P/1080i | 60 fps | 1920 x 1080 | 1/2.8 | 2.8 x 2.8 | IMX136 | C |
| STC-HD203SDI-CS | | | | | | | | CS |
| STC-HD213SDI* | | | | | | | IMX291 | C |
| STC-HD213SDI-CS* | | | | | | | | CS |

Note. Sales of STC-HD203SDI and HD203SDI-CS are set to be discontinued. STC-HD213SDI and HD213SDI-CS are successors to these products.
* These models are coming soon.

Accessories

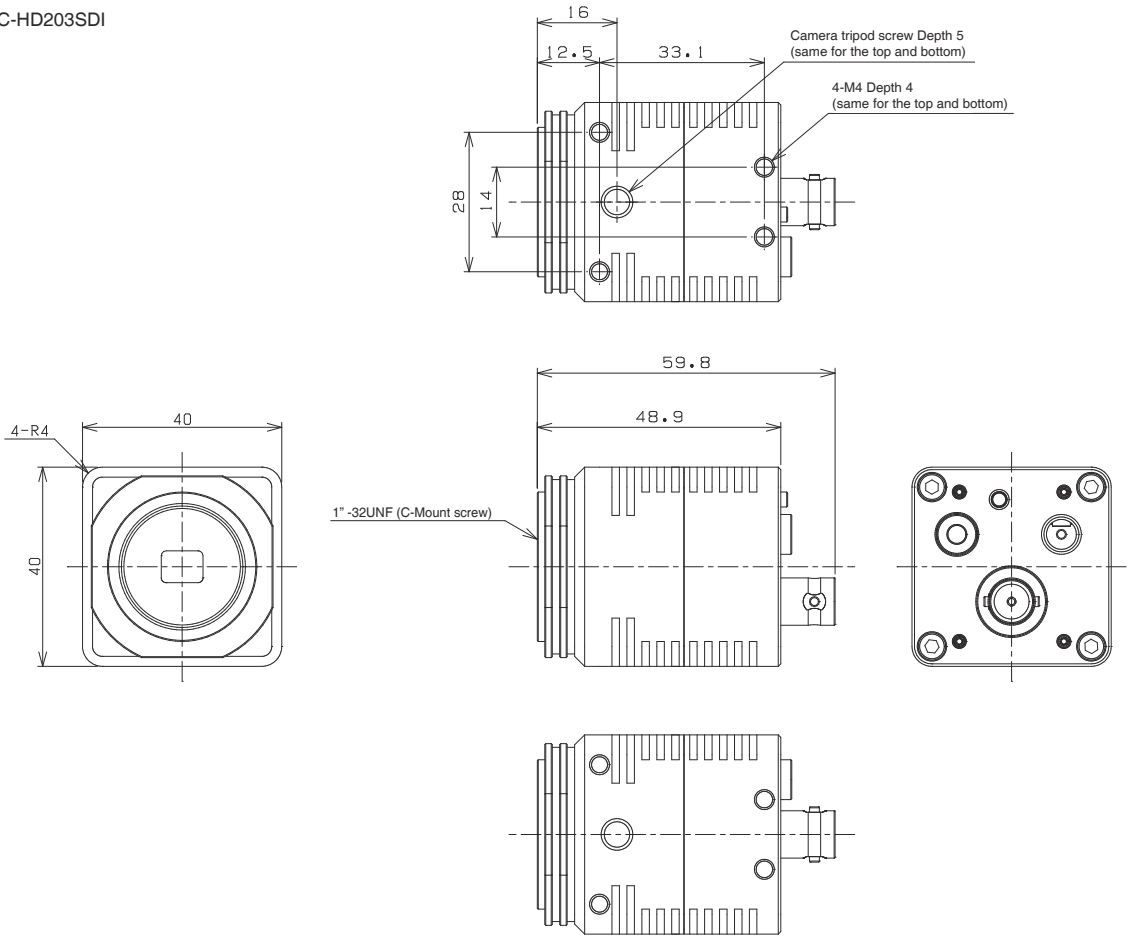
| Mount Conversion Adapter | | |
|--------------------------|------------------|------------------------|
| Model | Applicable Model | General Specifications |
| CS-C-R | CS Mount Series | |

| Remote Control Unit | | |
|---------------------|------------------|------------------------|
| Model | Applicable Model | General Specifications |
| RC-HD133 | HDMI/DVI/SDI | ø3.5 stereo pin jack |

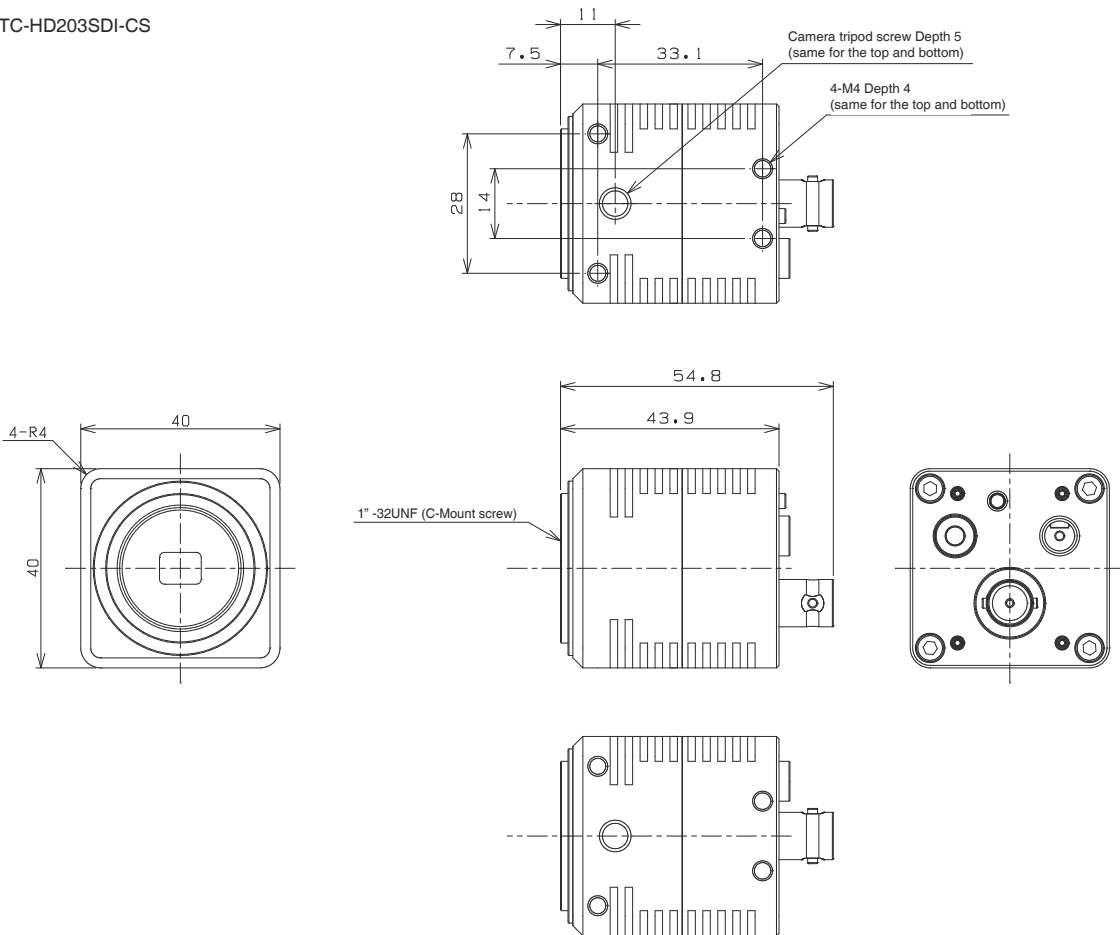
Note. Ask your Omron representative about AC adapter.

Drawing dimension

STC-HD203SDI



STC-HD203SDI-CS



Analog Progressive Camera



Description

Progressive Scan Monochrome CCD Camera

Features

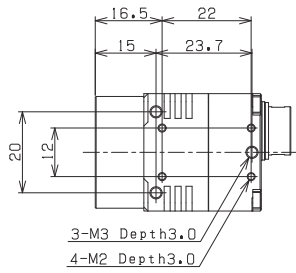
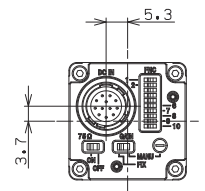
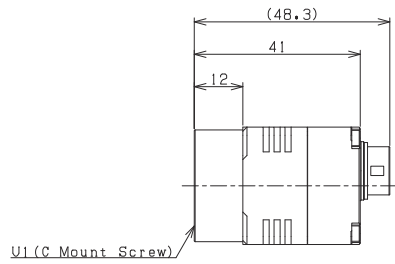
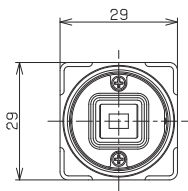
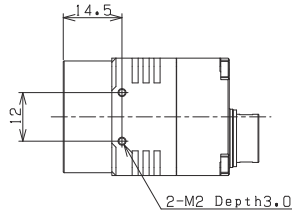
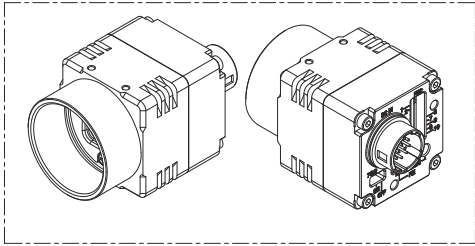
Small Camera with Progressive Scan Monochrome CCD
SHARP CCD sensor is adapted and suitable to replacement

Product Line-up

| Model | Monochrome/Color | Resolution | Frame Rate | Effective Pixels (H x V) | Sensor Size | Cell Size (μm) | Sensor | Lens Mount |
|------------|------------------|------------|------------|--------------------------|-------------|----------------|-------------|------------|
| STC-MB33SS | Monochrome | VGA | 90 fps | 648 x 494 | 1/3 | 7.4 x 7.4 | RJ33B4AA0DT | C |

Drawing dimension

STC-MB33SS



TV Format Color Camera S133N-B Series



Description

1/3.2" 0.65 Mpix TV format color CMOS camera

Features

DC jack type and terminal block type for power input

Product Line-up

| Model | Monochrome/Color | Resolution | Video Format | Effective Pixels (H × V) | Sensor Size | Cell Size (μm) | Sensor | Lens Mount |
|--------------|------------------|------------|--------------|--------------------------|-------------|----------------|--------|------------|
| STC-S133N-B* | Color | 0.65M | NTSC | 1280 × 486 | 1/3.2 | 3.5 × 3.5 | ISX017 | CS |
| STC-S133P-B* | | | PAL | 1211 × 576 | | | | |

* Select a model from the Line-up list below when ordering.

Accessories

| Mount Conversion Adapter | | |
|--------------------------|------------------|------------------------|
| Model | Applicable Model | General Specifications |
| CS-C-R | CS Mount Series | |

| Remote Control Unit | | |
|---------------------|------------------|------------------------|
| Model | Applicable Model | General Specifications |
| RC-S133B | S133N-B Series | |

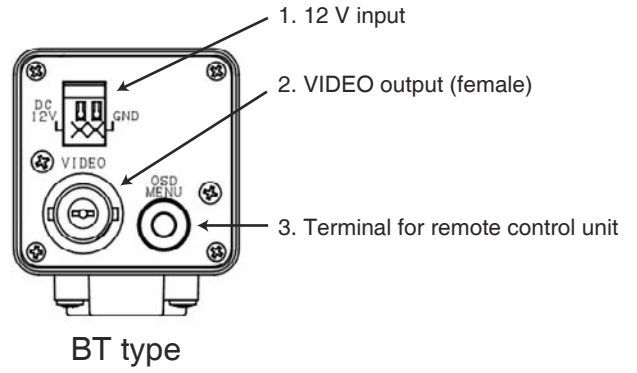
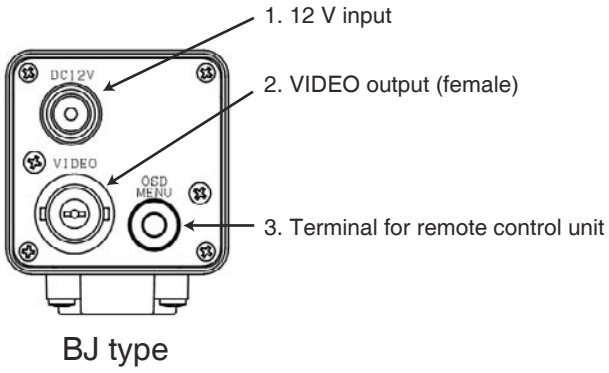
Note. Ask your Omron representative about AC adapter.

Line-up

| Model | Monochrome/Color | Sensor Size | Lens Mount | Video Format | General Specifications |
|--------------|------------------|-------------|------------|--------------|------------------------|
| STC-S133N-BJ | Color | 1/3.2 | CS | NTSC | Case, output: BNC |
| STC-S133P-BJ | | | | PAL | |
| STC-S133N-BT | | | | NTSC | |
| STC-S133P-BT | | | | PAL | |

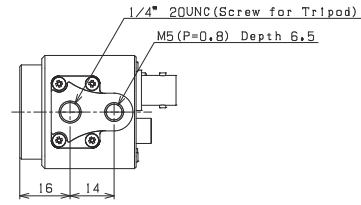
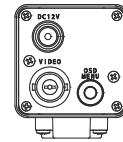
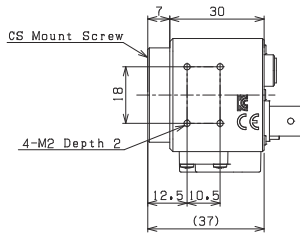
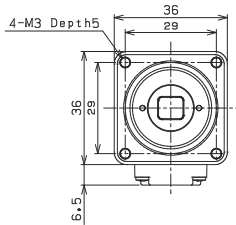
Drawing dimension

[External Connector Specification]

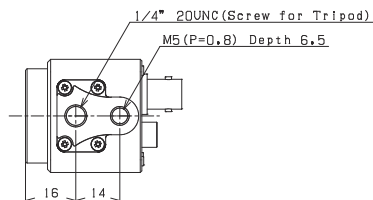
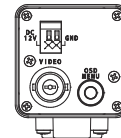
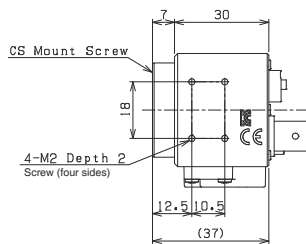
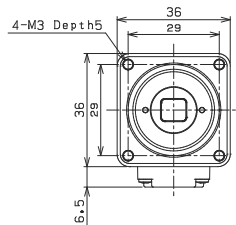


[Drawing dimension]

BJ type



BT type



Small Board Camera STC-S133 Series



Description

Small Board Camera

Features

Compact and lightweight camera for integration into machines
Select the best interface to suit application

Product Line-up

| Model | Monochrome/Color | Resolution | Effective Pixels (H x V) | Sensor Size | Cell Size (µm) | Sensor | Interface |
|----------------|------------------|------------|--------------------------|-------------|----------------|--------|--------------|
| STC-S133N-** | Color | 0.65M | 1280 x 486 | 1/3.2 | 3.5 x 3.5 | ISX017 | NTSC |
| STC-S133P-** | | | 1211 x 576 | | | | PAL |
| STC-S133UVC-** | | 1.3M | 1280 x 960 | | | | USB3.0 (UVC) |
| STC-S133MIP-** | | | | | | | MIPI |

* Select a model from the Line-up list below when ordering.

Line-up

| TV Format (NTSC/PAL) | | | | | | | |
|----------------------|------------------|------------|-------------|------------|---|--|--|
| Model | Monochrome/Color | Frame Rate | Sensor Size | Lens Mount | General Specifications | | |
| STC-S133N | Color | 30 fps | 1/3.2 | --- | DPF, Board, Base (without lens mount) | | |
| STC-S133P | | 25 fps | | --- | DPF, Board, Base (without lens mount) | | |
| STC-S133N-NF | | 30 fps | | --- | Board, Base (without lens mount), No filter | | |
| STC-S133P-NF | | 25 fps | | --- | Board, Base (without lens mount), No filter | | |
| STC-S133N-L | | 30 fps | | S | DPF, Board, S Mount | | |
| STC-S133N-LS | | 30 fps | | S | DPF, Board, S Mount, Lens fixing washer | | |
| STC-S133P-L | | 25 fps | | S | DPF, Board, S Mount | | |
| STC-S133N-CS | | 30 fps | | CS | DPF, Board, CS Mount | | |
| STC-S133P-CS | | 25 fps | | CS | DPF, Board, CS Mount | | |
| STC-S133N-I | | 30 fps | | --- | IRCF, Board, Base (without lens mount) | | |
| STC-S133P-I | | 25 fps | | --- | IRCF, Board, Base (without lens mount) | | |
| STC-S133N-IL | | 30 fps | | S | IRCF, Board, S Mount | | |
| STC-S133P-IL | | 25 fps | | S | IRCF, Board, S Mount | | |
| STC-S133N-ICS | | 30 fps | | CS | IRCF, Board, CS Mount | | |
| STC-S133P-ICS | | 25 fps | | CS | IRCF, Board, CS Mount | | |
| STC-S133N-ILS | | 30 fps | | S | IRCF, Board, S Mount, Lens fixing washer | | |
| STC-S133N-AL | | 30 fps | | S | DPF, Case, S Mount | | |
| STC-S133P-AL | | 25 fps | | S | DPF, Case, S Mount | | |
| STC-S133N-ACS | | 30 fps | | CS | DPF, Case, CS Mount | | |
| STC-S133P-ACS | | 25 fps | | CS | DPF, Case, CS Mount | | |
| STC-S133N-IAL | | 30 fps | | S | IRCF, Case, S Mount | | |
| STC-S133P-IAL | | 25 fps | | S | IRCF, Case, S Mount | | |
| STC-S133N-IACS | | 30 fps | | CS | IRCF, Case, CS Mount | | |
| STC-S133P-IACS | | 25 fps | | CS | IRCF, Case, CS Mount | | |

Note. DPF: Dual Pass Filter, IRCF: IR Cut Filter

Go to the next page

Small Board Camera

| USB3.0 (UVC) | | | | | |
|-------------------|------------------|------------|-------------|------------|---|
| Model | Monochrome/Color | Frame Rate | Sensor Size | Lens Mount | General Specifications |
| STC-S133UVC-BL | Color | 60 fps | 1/3.2 | --- | IRCF, Board, Base (without lens mount), Connector from bottom |
| STC-S133UVC-BLL | | | | S | IRCF, Board, S Mount, Connector from bottom |
| STC-S133UVC-BLCS | | | | CS | IRCF, Board, CS Mount, Connector from bottom |
| STC-S133UVC-DBL | | | | --- | DPF, Board, Base (without lens mount), Connector from bottom |
| STC-S133UVC-DBLL | | | | S | DPF, Board, S Mount, Connector from bottom |
| STC-S133UVC-DBLCS | | | | CS | DPF, Board, CS Mount, Connector from bottom |
| STC-S133UVC-ALL | | | | S | IRCF, Case, S Mount, Connector from bottom |
| STC-S133UVC-ALCS | | | | CS | IRCF, Case, CS Mount, Connector from bottom |
| STC-S133UVC-DALL | | | | S | DPF, Case, S Mount, Connector from bottom |
| STC-S133UVC-DALCS | | | | CS | DPF, Case, CS Mount, Connector from bottom |
| STC-S133UVC-BS | | | | --- | IRCF, Board, Base (without lens mount), Connector from rear |
| STC-S133UVC-BSL | | | | S | IRCF, Board, S Mount, Connector from rear |
| STC-S133UVC-BSCS | | | | CS | IRCF, Board, CS Mount, Connector from rear |
| STC-S133UVC-DBS | | | | --- | DPF, Board, Base (without lens mount), Connector from rear |
| STC-S133UVC-DBSL | | | | S | DPF, Board, S Mount, Connector from rear |
| STC-S133UVC-DBSCS | | | | CS | DPF, Board, CS Mount, Connector from rear |

Note. DPF: Dual Pass Filter, IRCF: IR Cut Filter

| MIPI | | | | | |
|-------------------|------------------|------------|-------------|------------|--|
| Model | Monochrome/Color | Frame Rate | Sensor Size | Lens Mount | General Specifications |
| STC-S133MIP | Color | 60 fps | 1/3.2 | --- | IRCF, Board, Base (without lens mount) |
| STC-S133MIP-CS | | | | CS | IRCF, Board, CS Mount |
| STC-S133MIP-L | | | | S | IRCF, Board, S Mount |
| STC-S133MIP-NF | | | | --- | Board, No filter |
| STC-S133MIP-D | | | | --- | DPF, Board, Base (without lens mount) |
| STC-S133MIP-DCS | | | | CS | DPF, Board, CS Mount |
| STC-S133MIP-DL | | | | S | DPF, Board, S Mount |
| STC-S133MIP-ALL | | | | S | IRCF, Case, S Mount |
| STC-S133MIP-ALCS | | | | CS | IRCF, Case, CS Mount |
| STC-S133MIP-DALL | | | | S | DPF, Case, S Mount |
| STC-S133MIP-DALCS | | | | CS | DPF, Case, CS Mount |

Note. DPF: Dual Pass Filter, IRCF: IR Cut Filter
Harness is included.

Accessories

| | |
|---------------------|------------------|
| Remote Control Unit | |
| Model | Applicable Model |
| RC-S133 | S133N(P) Series |

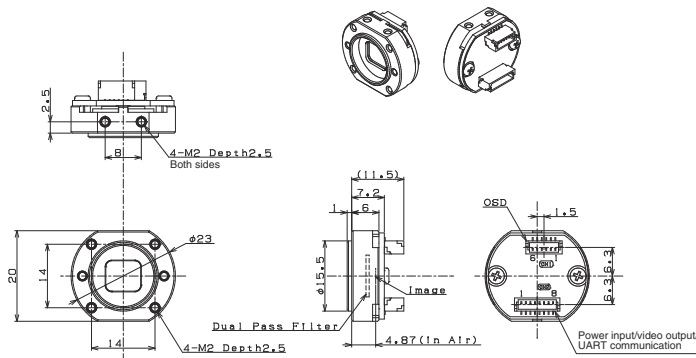
| | |
|--------------------------|------------------------------------|
| Mount Conversion Adapter | |
| Model | Applicable Model |
| CS-C-R | CS-Mount Models of all S133 Series |

| | | |
|--|------------------|---|
| Harness for Power Supply/Signal Output | | |
| Model | Applicable Model | General Specifications |
| KSAF005 | For S133N/P | 8-pin connector to power pin jack and BNC connector |
| KSAF006 | For S133N/P | 8-pin connector to power pin jack and RCA connector |

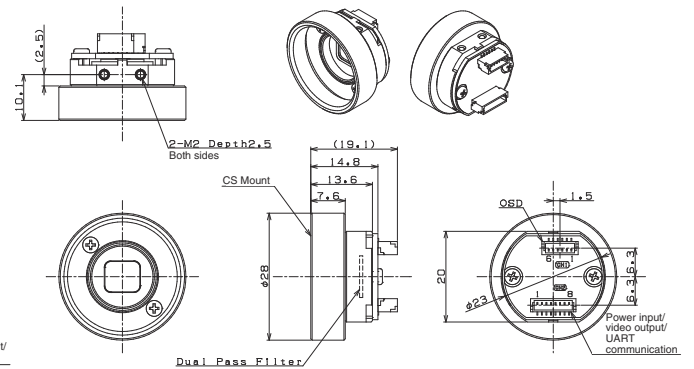
Note. Ask your Omron representative about AC adapter.

Drawing dimension

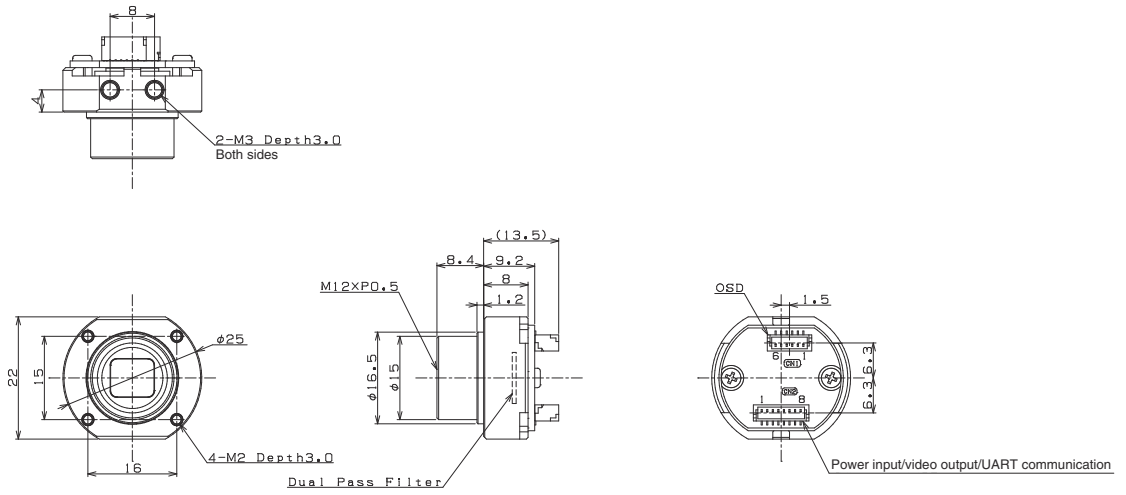
STC-S133N(P)/I



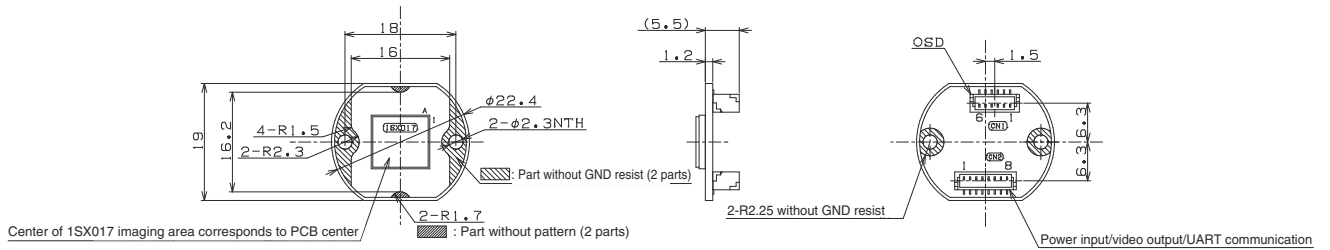
STC-S133N(P)/ICS



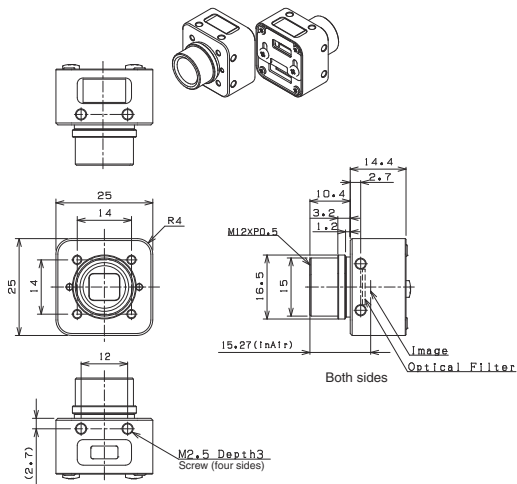
STC-S133N(P)-L/LS/IL/ILS



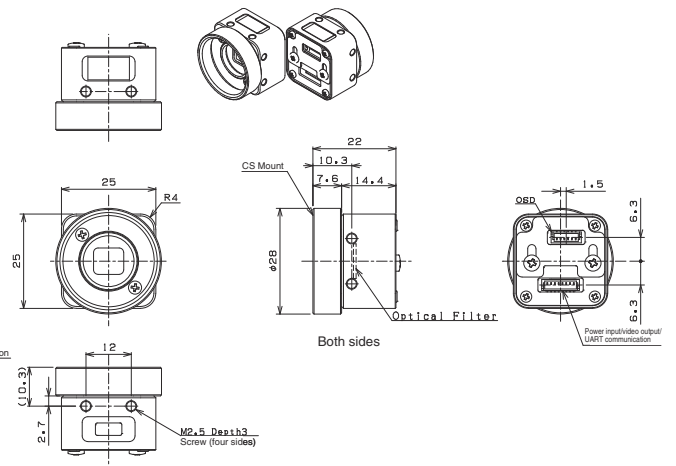
STC-S133N(P)-NF



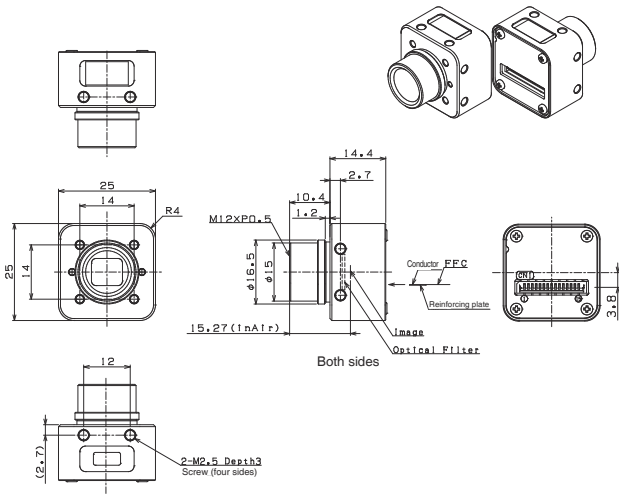
STC-S133N(P)-AL/IAL



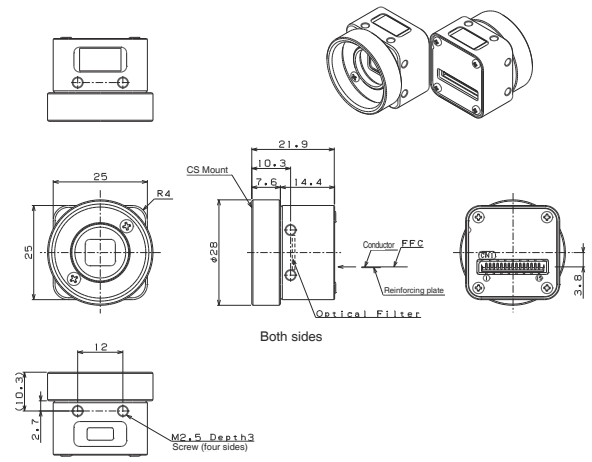
STC-S133N(P)-ACS/IACS



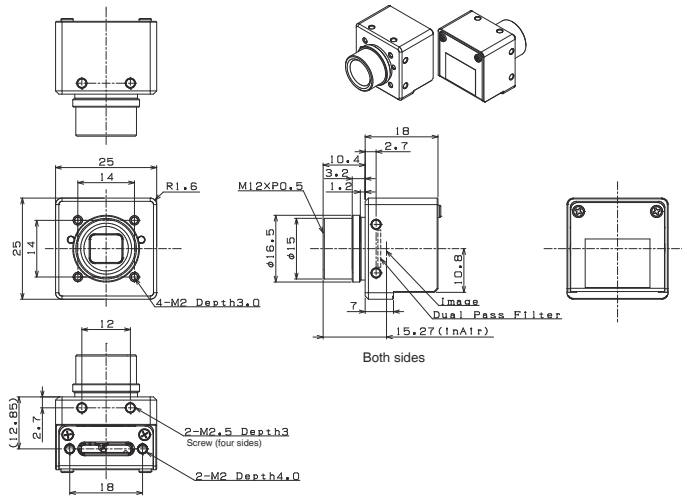
STC-S133MIP-ALL/DALL



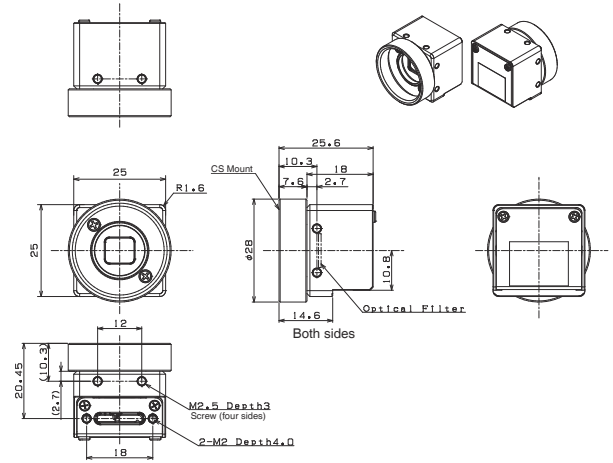
STC-S133MIP-ALCS/DALCS



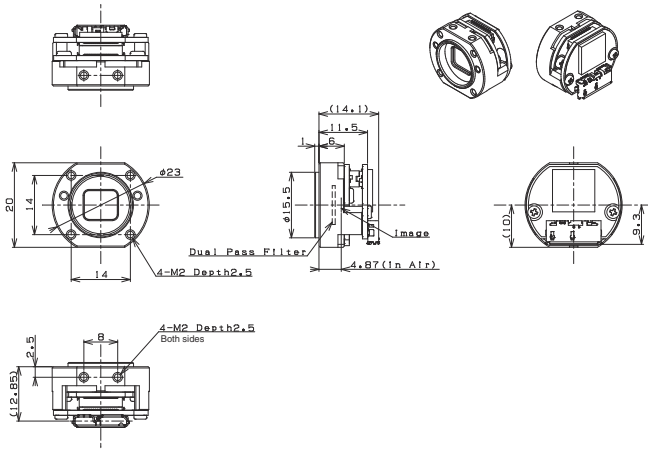
STC-S133UVC-ALL/DALL



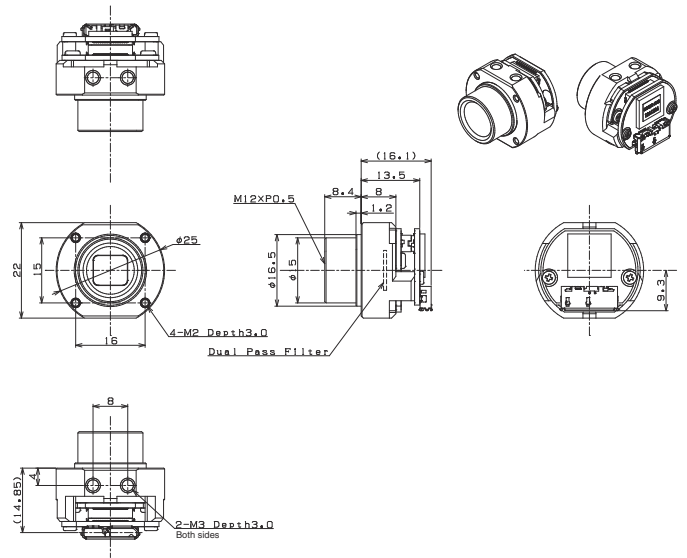
STC-S133UVC-ALCS/DALCS



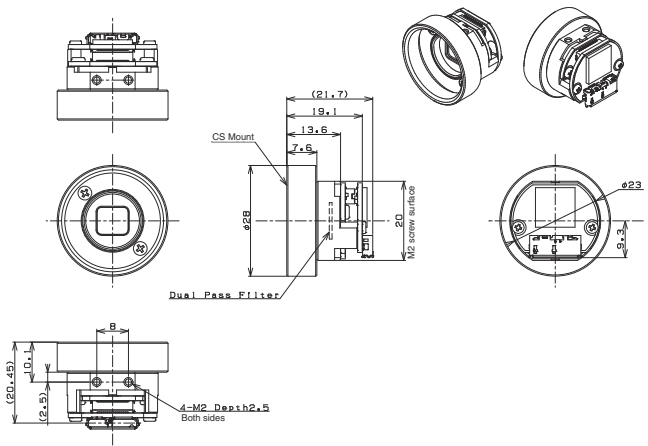
STC-S133UVC-BL(DBL)



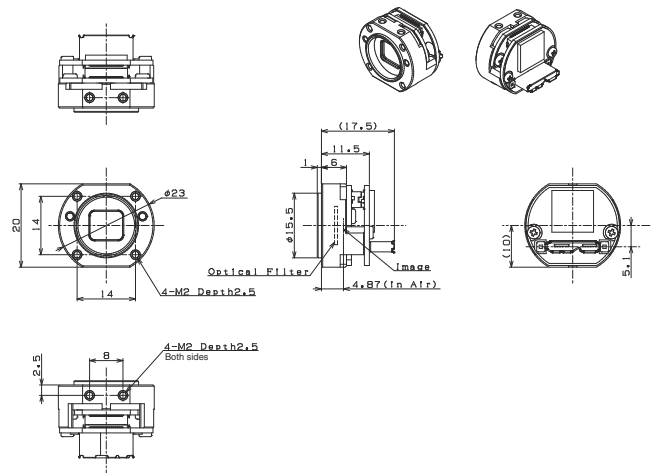
STC-S133UVC-BLL(DBLL)



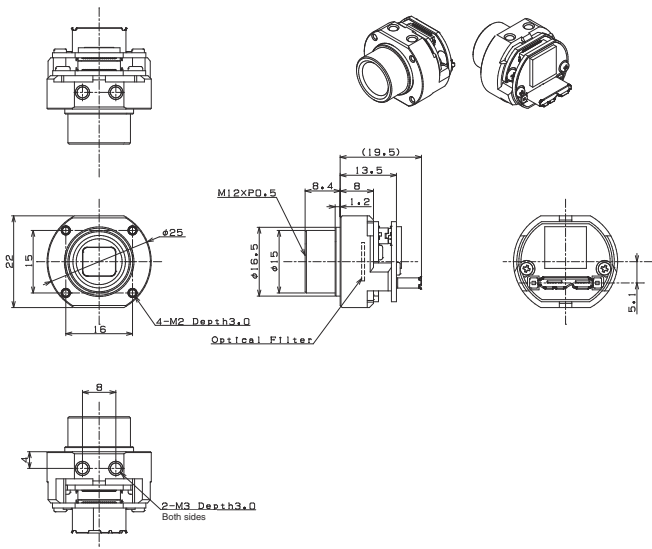
STC-S133UVC-BLCS(DBLCS)



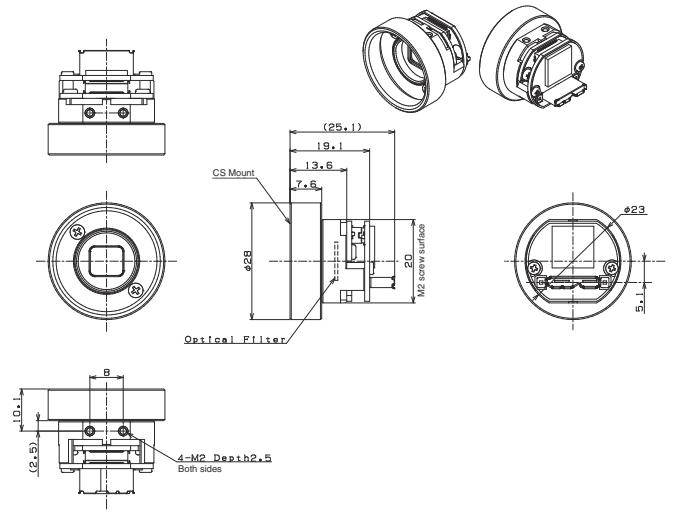
STC-S133UVC-BS(DBS)



STC-S133UVC-BSL(DBSL)



STC-S133UVC-BSCS(DBSCS)



Accessory, Cable, others



Description

Optional items for using cameras

Screw-fastened GigE Cable



OMRON has made available a line of optional screw-fastened cables, responding to many requests for such cables when using GigE cameras in the FA applications.

| Screw-Fastened GigE Cables | |
|----------------------------|--------|
| Model | Length |
| FJ-VSG 3M | 3 m |
| FJ-VSG 5M | 5 m |
| FJ-VSG 10M | 10 m |
| FJ-VSG 20M | 20 m |
| FJ-VSG 40M | 40 m |

Power Supply and I/O Cables

| Power Supply and I/O Cables | |
|-----------------------------|--------|
| Model | Length |
| FJ-VSP2 3M | 3 m |
| FJ-VSP2 5M | 5 m |
| FJ-VSP2 10M | 10 m |

Note. Please connect the cables according to the external connector specifications prescribed in your camera's specification documents, for faulty wiring can cause failure.

Screw-fastened USB3.0 Cable



USB 3.0 Cables (USB 3.0 Micro-B, with Camera-Side Fastening Screws)

| Model | Length | Cable Type |
|----------------|--------|---------------------------------|
| CAB-USB3-02 | 2 m | Normal |
| CAB-USB3-03 | 3.5 m | |
| CAB-USB3-05 | 5 m | |
| CAB-USB3-07 | 7 m | |
| CAB-USB3-10 | 10 m | Normal high-transmission cables |
| CAB-USB3-02-RB | 2 m | Robot cables |
| CAB-USB3-03-RB | 3.5 m | |
| CAB-USB3-05-RB | 5 m | |
| CAB-USB3-07-RB | 7 m | |

Note. Please make sure in advance that USB 3.0 cables operate correctly under your environment.

Screw Lock USB 3.0 Cables (Optional) / Robot Cables

| Model | Applicable Model | General Specifications |
|-----------------|--------------------|--|
| NU3MBASU3S-2m | All USB3.0 Cameras | 2 m, USB 3.0 Micro-B, with camera-side fastening screws, normal cables |
| NU3MBASU3S-3.5m | All USB3.0 Cameras | 3.5 m, USB 3.0 Micro-B, with camera-side fastening screws, normal cables |
| NU3MBASU3B-2m | All USB3.0 Cameras | 2 m, USB 3.0 Micro-B, with camera-side fastening screws, robot cables |
| NU3MBASU3B-3.5m | All USB3.0 Cameras | 3.5 m, USB 3.0 Micro-B, with camera-side fastening screws, robot cables |

Note. Please make sure that USB 3.0 cables operate correctly under your environment beforehand.

Note. Production of this series is set to be discontinued. Please consider using our CAB-USB3 USB 3.0 cables.

HDMI Cable



HDMI Cable

| Model | Applicable Model | Length |
|--------------|---------------------------------|--------|
| CAB-HDMI-015 | 4K HD high vision (DVI) cameras | 1.5 m |
| CAB-HDMI-02 | 4K HD high vision (DVI) cameras | 2 m |
| CAB-HDMI-03 | 4K HD high vision (DVI) cameras | 3 m |
| CAB-HDMI-05 | 4K HD high vision (DVI) cameras | 5 m |

Note. Please make sure in advance that HDMI cables operate correctly under your environment, including power supply capability.

HDMI Fiber-Optic Cables

| Model | Applicable Model | Length |
|------------------|---------------------------------|--|
| CAB-HDMI-10-OPT | 4K HD high vision (DVI) cameras | 10 m Provides power supply (with USB) |
| CAB-HDMI-20-OPT | 4K HD high vision (DVI) cameras | 20 m Provides power supply (with USB) |
| CAB-HDMI-30-OPT | 4K HD high vision (DVI) cameras | 30 m Provides power supply (with USB) |
| CAB-HDMI-50-OPT | 4K HD high vision (DVI) cameras | 50 m Provides power supply (with USB) |
| CAB-HDMI-70-OPT | 4K HD high vision (DVI) cameras | 70 m Provides power supply (with USB) |
| CAB-HDMI-100-OPT | 4K HD high vision (DVI) cameras | 100 m Provides power supply (with USB) |

Note. Please make sure in advance that HDMI cables operate correctly under your environment, including power supply capability.

Coaxial Cable



BNC-BNC Cables

| Model | Applicable Model | Connector Type | Length |
|-----------|------------------|------------------|--------|
| BNC-BNC1 | TV Format | BNC on both ends | 1 m |
| BNC-BNC2 | | | 2 m |
| BNC-BNC3 | | | 3 m |
| BNC-BNC5 | | | 5 m |
| BNC-BNC10 | | | 10 m |

BNC-RCA (Pin Jack) Cables

| Model | Applicable Model | Connector Type | Length |
|-----------|------------------|-------------------------------------|--------|
| BNC-RCA2 | TV Format | BNC on one end and RCA on the other | 2 m |
| BNC-RCA3 | | | 3 m |
| BNC-RCA5 | | | 5 m |
| BNC-RCA10 | | | 10 m |

Harness for Power Supply/Signal Output



Harnesses for power supply and signal output for STC-S133N/P

| Model | Applicable Model | General Specifications |
|---------|------------------|---|
| KSAF005 | For S133N/P | 8-pin connector to power pin jack and BNC connector |
| KSAF006 | | 8-pin connector to power pin jack and RCA connector |

Mount Conversion Adapter



Adapter ring necessary when using C-mount lens with CS-mount camera

Adapter for converting M42 P=1 FB=10mm to F-mount when using 12M, 25M, or line sensor cameras

| Model | Applicable Model | General Specifications |
|---------|----------------------------|---|
| CS-C-R | CS Mount Series | CS mount → C mount conversion adapter |
| M42-F-R | 12M, 25M, Line Scan Camera | M42 P=1 FB=10 mm → F mount conversion adapter |



Tripod Mount



Optional adapter for fastening the camera with tripod screws

| Model | Applicable Model | General Specifications |
|------------|--|--|
| TP-HCA | Camera Link SPB/SPC43, 52, 163, 202PCL | |
| TP-JVA | 0.4M, 1.6M, 2M, 2.3M, 3.2M, 4M, 5M (M*S500/510U3V) | |
| TP-JQA | USB3.0: 5M (Polarization), 8.9M, 12.3M, 20.4M Camera Link: VGA, 2M (CM*200PCL), 3.2M, 4M, 5M (SP*500/510PCL), 8.9M, 12.3M | |
| TP-KWA | GigE Vision M Series | |
| TP-KWA-IEA | GigE Vision M Series | Used to set M Series with sensor center at same height as that of S Series |
| TP-KWA2 | STC-MBS/MCS881POE, STC-MBS/MCS122BPOE | |

Remote Control Unit



The unit is connected to the pin jack on the back of the camera allowing various settings to be made with an on-screen display. All DVI/SDI models are applicable.

| Model | Applicable Model | General Specifications |
|----------|------------------|------------------------|
| RC-HD133 | 4K HDMI/DVI/SDI | ø3.5 stereo pin jack |
| RC-S133 | S133N/P Series | |
| RC-S133B | S133N-B Series | ø3.5 stereo pin jack |

Accessory Fixed Focus Lens



Description

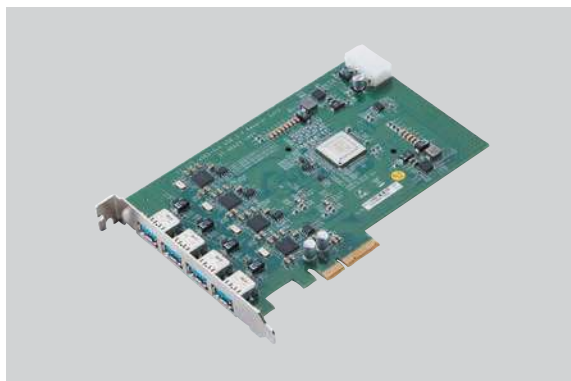
Small-diameter fixed focus lens for board cameras and remote head camera

S Mount (M12 P0.5) Lens



| Model | Applicable Model | General Specifications |
|---------|------------------|---|
| CV0205C | S Mount Series | f=2.5 mm, 1/3", F2.0, for 5M resolution |
| KVAB009 | | Lens fixing washer |

USB 3.0 4ch Frame Grabber Board



Description

4ch Frame Grabber Board for USB 3.0 Camera

Features

The 4-channel Frame Grabber Board includes the USB3.0 chips on each channel.

Adopting PCI Express Gen 3 × 4 lane connections, operation with greater stability than Gen 2 × 4 lane models can be ensured when using multiple high resolution, high-speed cameras.

Product Line-up

| | |
|------------------------|---|
| Model | USB3-4ch |
| No. of ports | USB3.0 Standard A × 4 ports |
| Host I/F | PCI Express Gen3 × 4 lane |
| Operating power supply | On-board 5 VDC |
| Host controller | FL1100-1Q0-EX (FRESCO) |
| Supported OS | Windows7/8/10 and Linux |
| Motion camera | Omron Sentech USB3.0 Camera |
| Dimensions | 167 (W) × 111.15 (H) mm (excluding protrusions) |

Note. Confirm operation with your PC in advance.

Note. Use the latest USB driver version provided by FRESCO Logic.

Spectral Characteristics Chart

This is the Spectral Characteristics Chart of the image sensor (Area Sensor) published in this catalog.

| | Model | Type | Page |
|----|---------------|------------|------|
| 1 | IMX287 | Monochrome | 53 |
| 2 | IMX433 | Monochrome | 53 |
| 3 | IMX273 | Monochrome | 53 |
| 4 | IMX174 | Monochrome | 54 |
| 5 | IMX430 | Monochrome | 54 |
| 6 | IMX249 | Monochrome | 54 |
| 7 | IMX265 | Monochrome | 54 |
| 8 | IMX252 | Monochrome | 54 |
| 9 | IMX264 | Monochrome | 55 |
| 10 | IMX250 | Monochrome | 55 |
| 11 | IMX267 | Monochrome | 55 |
| 12 | IMX255 | Monochrome | 55 |
| 13 | IMX304 | Monochrome | 55 |
| 14 | IMX253 | Monochrome | 55 |
| 15 | IMX382-0ABR-C | Monochrome | 56 |
| 16 | IMX178 | Monochrome | 56 |
| 17 | IMX428 | Monochrome | 56 |
| 18 | IMX226 | Monochrome | 57 |
| 19 | IMX183 | Monochrome | 57 |
| 20 | CMV300 | Monochrome | 58 |
| 21 | CMV2000 | Monochrome | 58 |
| 22 | CMV4000 | Monochrome | 58 |
| 23 | CMV12000 | Monochrome | 59 |
| 24 | MT9P031 | Monochrome | 60 |
| 25 | MT9J003 | Monochrome | 60 |
| 26 | EV76C560ACT | Monochrome | 59 |
| 27 | PYTHON 25K | Monochrome | 59 |
| 28 | RJ33B4AAODT | Monochrome | 60 |
| 29 | CMV2000 | NIR | 59 |
| 30 | CMV4000 | NIR | 59 |

| | Model | Type | Page |
|----|---------------|-------|------|
| 31 | IMX287 | Color | 53 |
| 32 | IMX433 | Color | 53 |
| 33 | IMX273 | Color | 53 |
| 34 | IMX174 | Color | 54 |
| 35 | IMX430 | Color | 54 |
| 36 | IMX249 | Color | 54 |
| 37 | IMX265 | Color | 54 |
| 38 | IMX252 | Color | 54 |
| 39 | IMX264 | Color | 55 |
| 40 | IMX250 | Color | 55 |
| 41 | IMX267 | Color | 55 |
| 42 | IMX255 | Color | 55 |
| 43 | IMX304 | Color | 55 |
| 44 | IMX253 | Color | 55 |
| 45 | IMX382-0AQR-C | Color | 56 |
| 46 | IMX178 | Color | 56 |
| 47 | IMX274 | Color | 57 |
| 48 | IMX226 | Color | 57 |
| 49 | IMX183 | Color | 57 |
| 50 | ISX017 | Color | 58 |
| 51 | IMX136 | Color | 58 |
| 52 | IMX291 | Color | 58 |
| 53 | CMV300 | Color | 58 |
| 54 | CMV2000 | Color | 58 |
| 55 | CMV4000 | Color | 58 |
| 56 | CMV12000 | Color | 59 |
| 57 | MT9P031 | Color | 60 |
| 58 | EV76C560ACT | Color | 59 |

This is the Spectral Characteristics Chart of the image sensor (Line Scan Camera) published in this catalog.

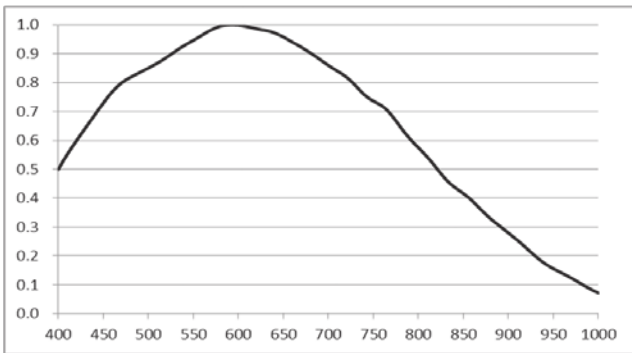
| | Model | Type | Page |
|---|-----------------|------------|------|
| 1 | DR-2K-7 | Monochrome | 61 |
| 2 | DR-4K-7 | Monochrome | 61 |
| 3 | DR-4K-3.5 | Monochrome | 61 |
| 4 | DR-8K-7 | Monochrome | 61 |
| 5 | DR-8K-3.5 | Monochrome | 61 |
| 6 | DR-16K-3.5 | Monochrome | 61 |
| 7 | DR-2X2K-7-inver | Monochrome | 61 |
| 8 | DR-2X4K-7-inver | Monochrome | 61 |
| 9 | DR-2X8K-7 | Monochrome | 61 |

| | Model | Type | Page |
|---|---------------------|-------|------|
| 1 | DR-2X2K-7-inver-RGB | Color | 61 |
| 2 | DR-2X4K-7-inver-RGB | Color | 61 |
| 3 | DR-2X8K-7-RGB | Color | 61 |

Area Sensor Spectral Characteristics Chart

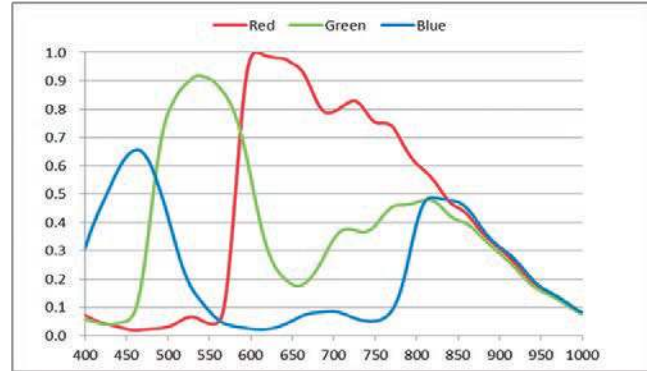
IMX287

1/2.9" CMOS 0.4M Monochrome



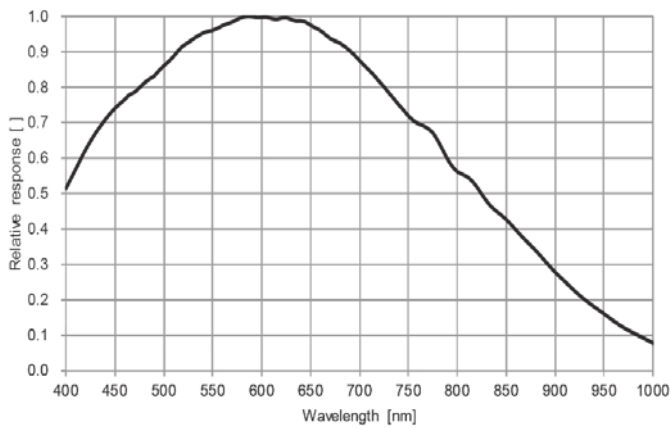
IMX287

1/2.9" CMOS 0.4M Color



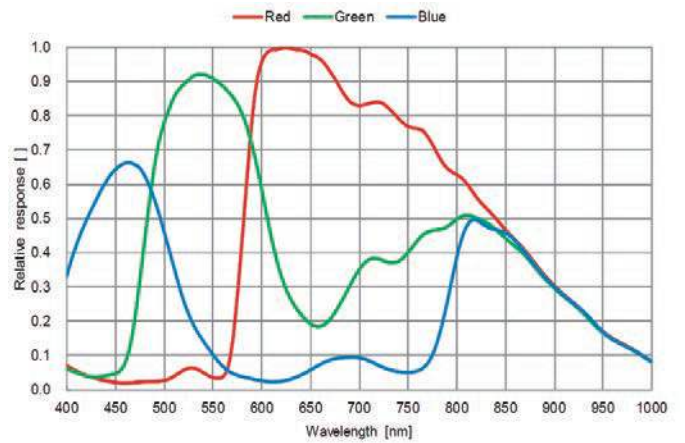
IMX433

1/1.7" CMOS 0.5M Monochrome



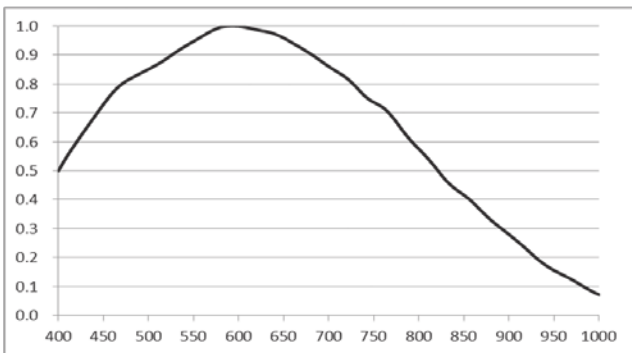
IMX433

1/1.7" CMOS 0.5M Color



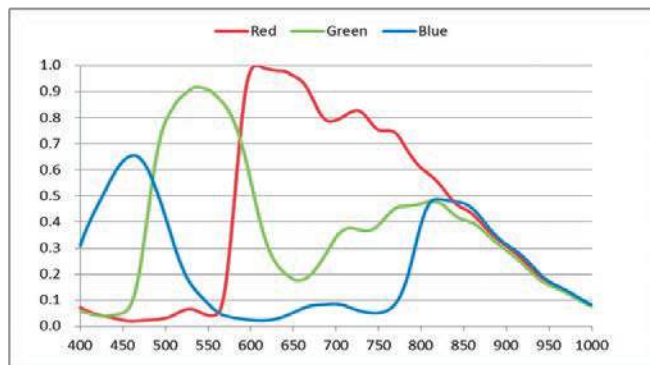
IMX273

1/2.9" CMOS 1.6M Monochrome



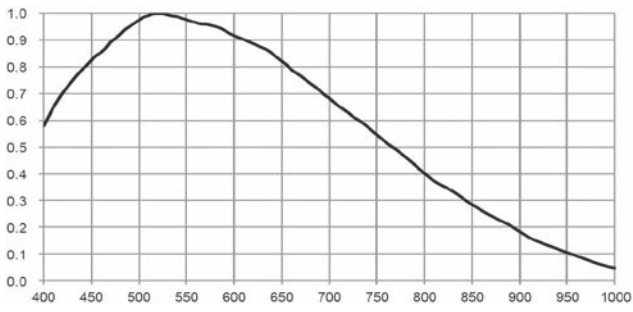
IMX273

1/2.9" CMOS 1.6M Color



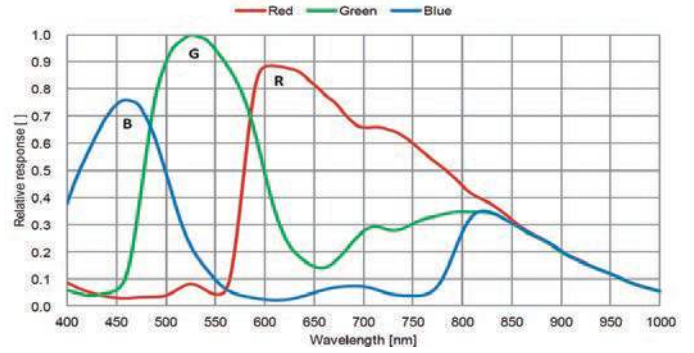
IMX174, IMX249

1/1.2" CMOS 2.3M Monochrome



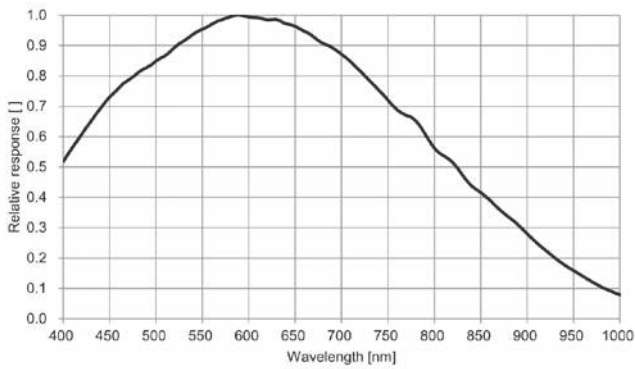
IMX174, IMX249

1/1.2" CMOS 2.3M Color



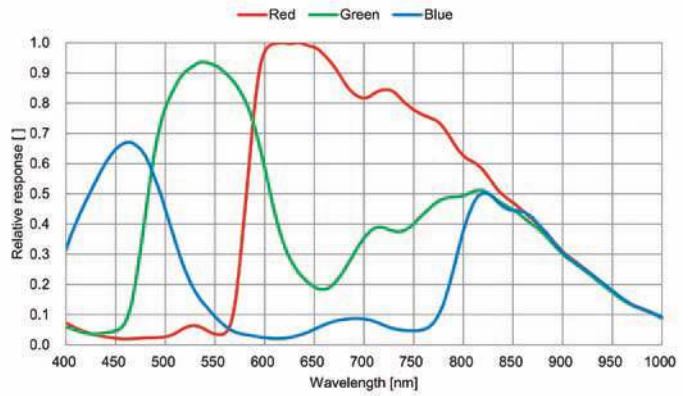
IMX430

1/1.7" CMOS 2M Monochrome



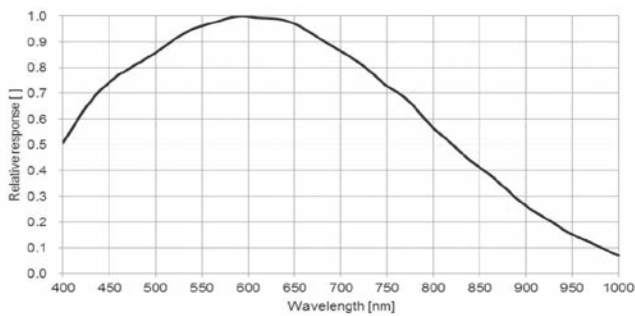
IMX430

1/1.7" CMOS 2M Color



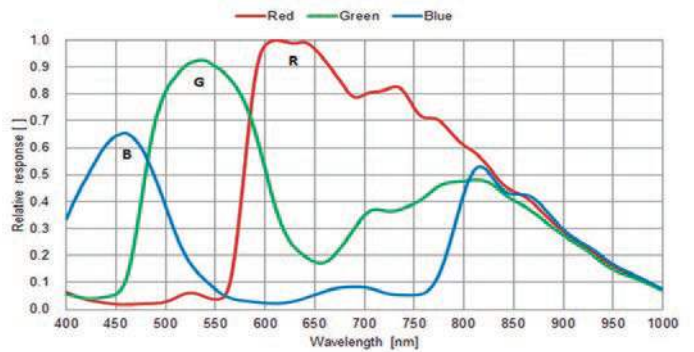
IMX265, IMX252

1/1.8" CMOS 3.2M Monochrome



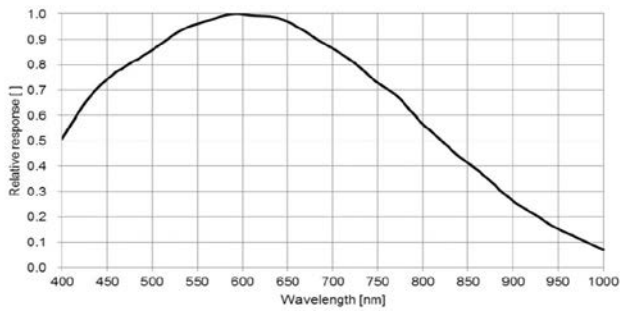
IMX265, IMX252

1/1.8" CMOS 3.2M Color



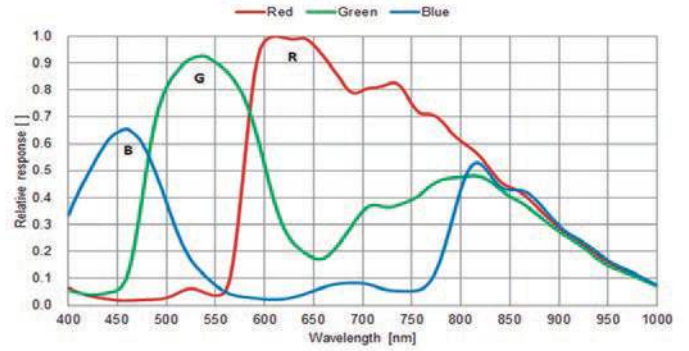
IMX264, IMX250

2/3" CMOS 5M Monochrome



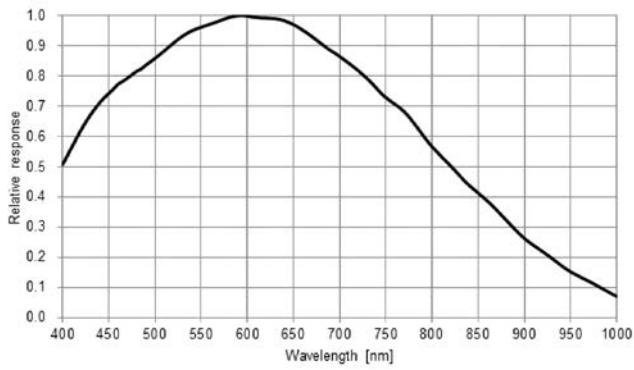
IMX264, IMX250

2/3" CMOS 5M Color



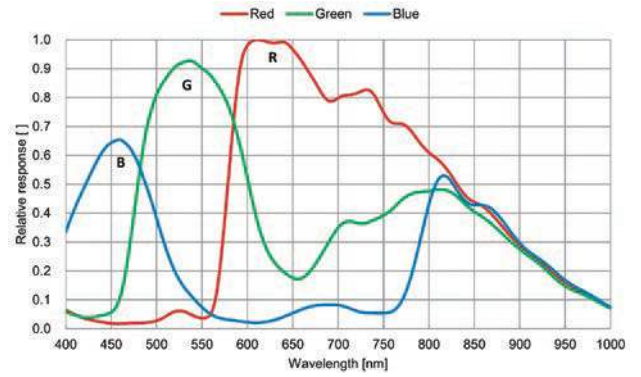
IMX267/IMX255

1" CMOS 8.9M Monochrome



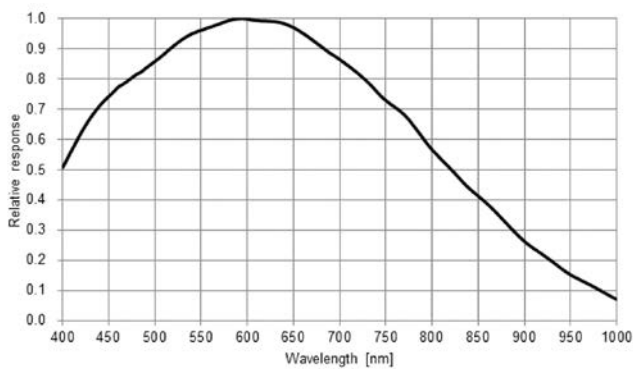
IMX267/IMX255

1" CMOS 8.9M Color



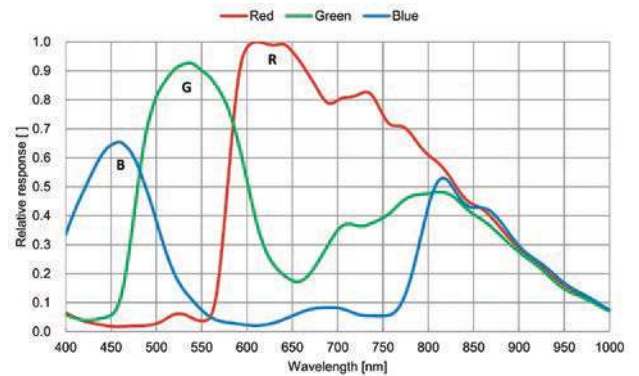
IMX304/IMX253

1.1" CMOS 12M Monochrome



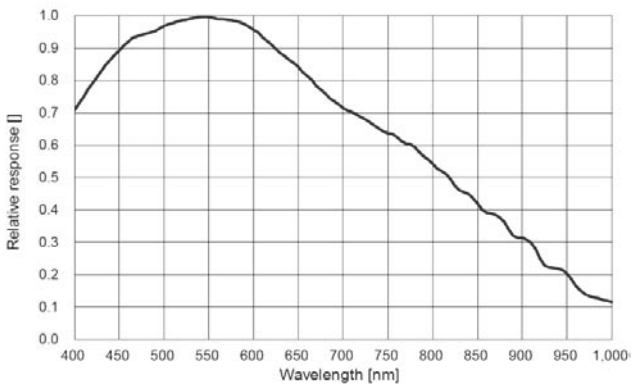
IMX304/IMX253

1.1" CMOS 12M Color



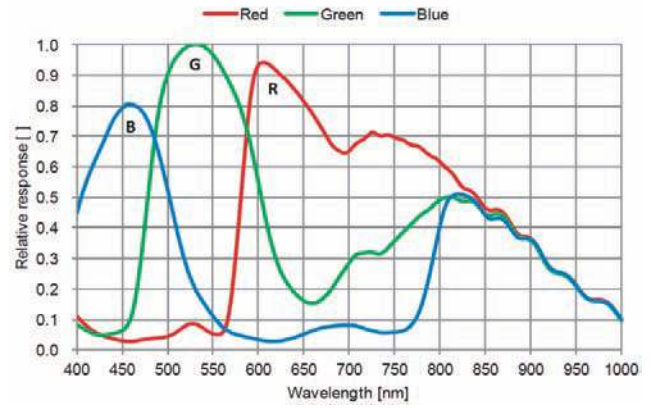
IMX382-0ABR-C

1/3.2" CMOS 1.3M Monochrome



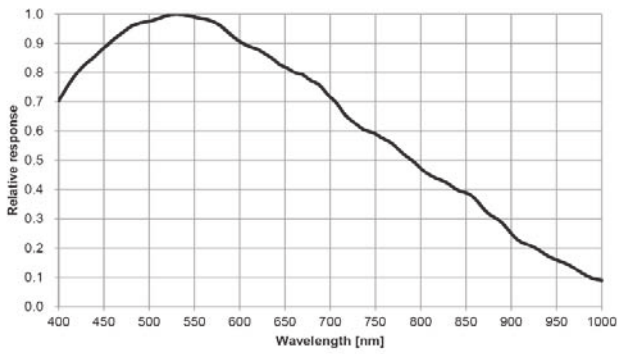
IMX382-0AQR-C

1/3.2" CMOS 1.3M Color



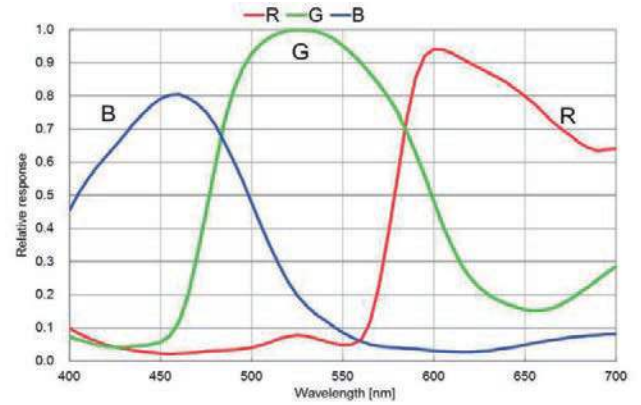
IMX178

1/1.8" CMOS 6.4M Monochrome



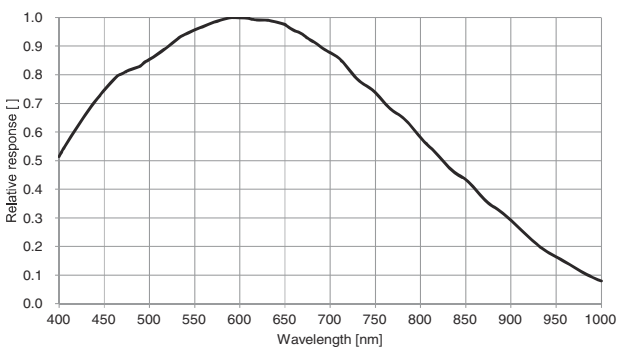
IMX178

1/1.8" CMOS 6.4M Color



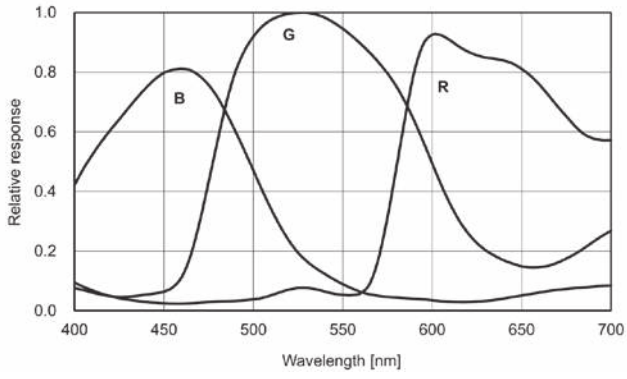
IMX428

1.1" CMOS 7.1M Monochrome



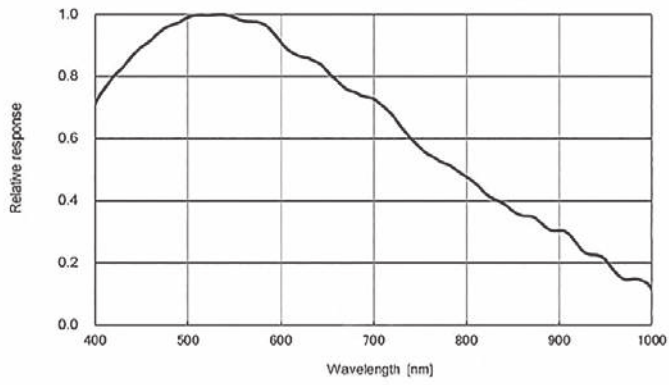
IMX274

1/2.5" CMOS 8.3M Color



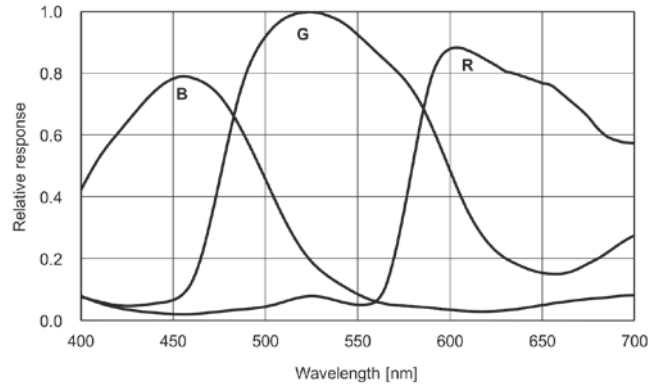
IMX226

1/1.7" CMOS 12M Monochrome



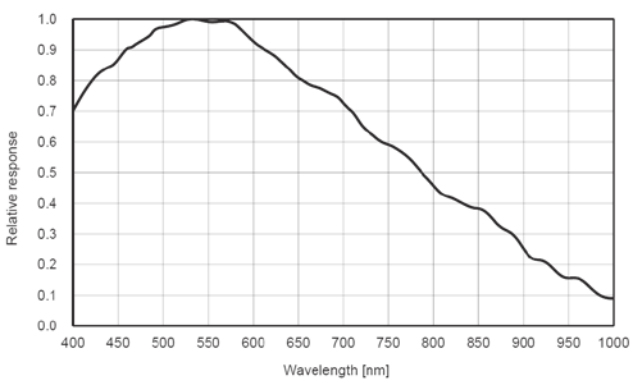
IMX226

1/1.7" CMOS 12M Color



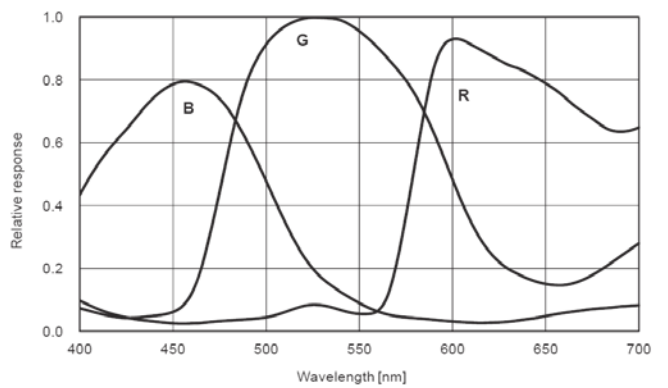
IMX183

1" CMOS 20M Monochrome



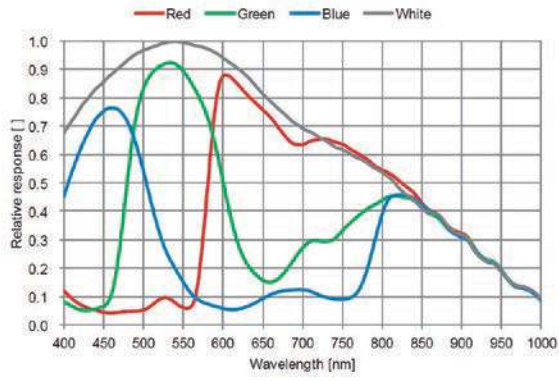
IMX183

1" CMOS 20M Color



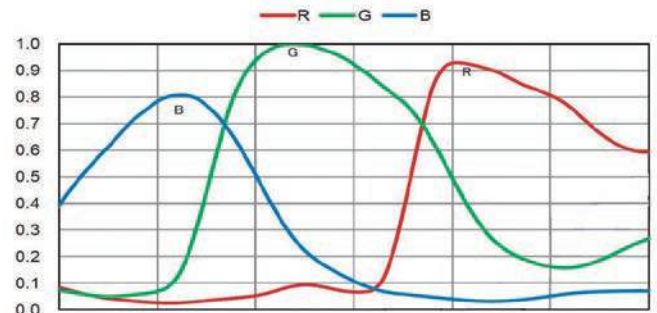
ISX017

1/3.2" CMOS 0.6M Color



IMX136

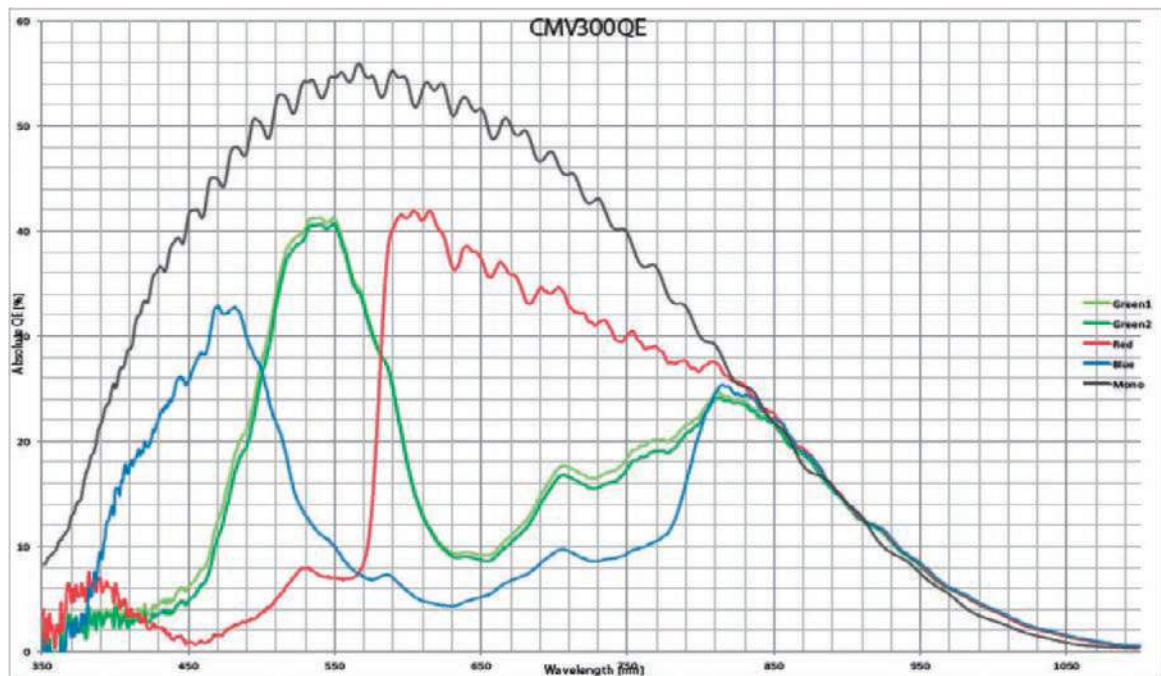
1/2.8" CMOS 1080P FULL High-definition Color



CMV300

CMV300

1/3" CMOS VGA Monochrome, Color

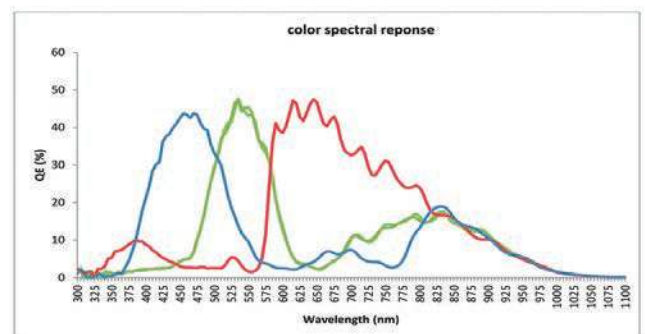
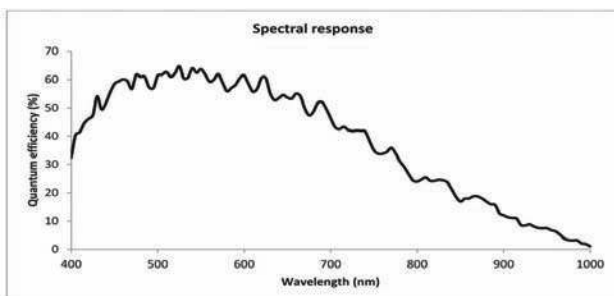


CMV2000/CMV4000

CMV2000/CMV4000

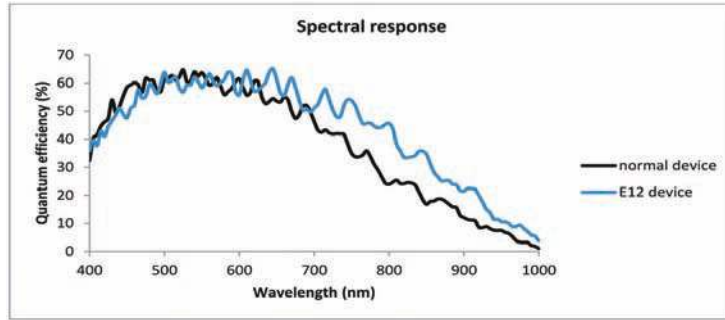
2/3" CMOS 2M Monochrome / 1" CMOS 4M Monochrome

2/3" CMOS 2M Color / 1" CMOS 4M Color



CMV2000/CMV4000

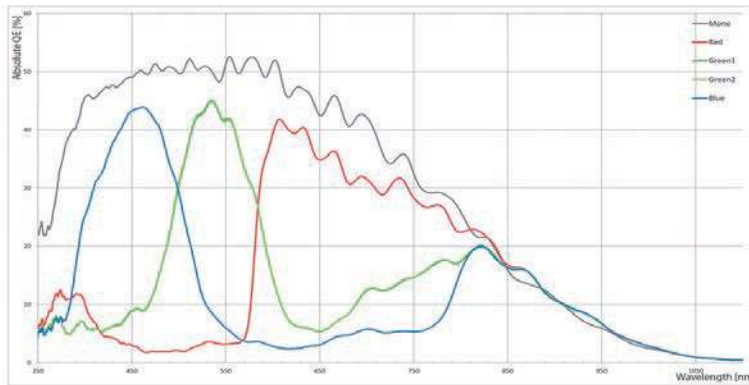
2/3" CMOS 2M NIR / 1" CMOS 4M NIR



CMV12000

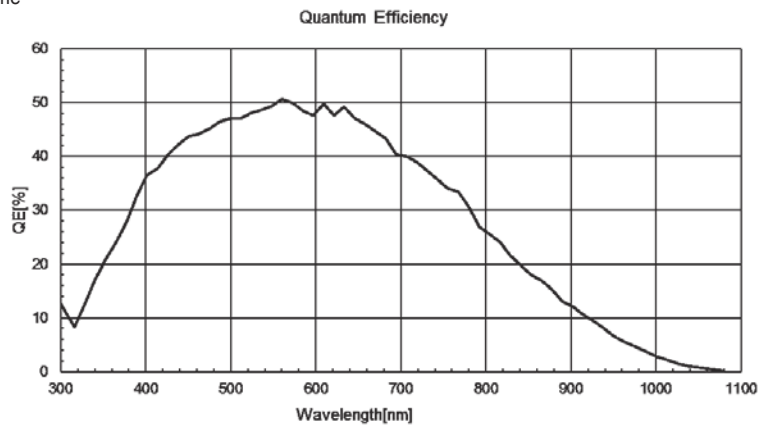
CMV12000

1.76" CMOS 12M Monochrome, Color



PYTHON 25K

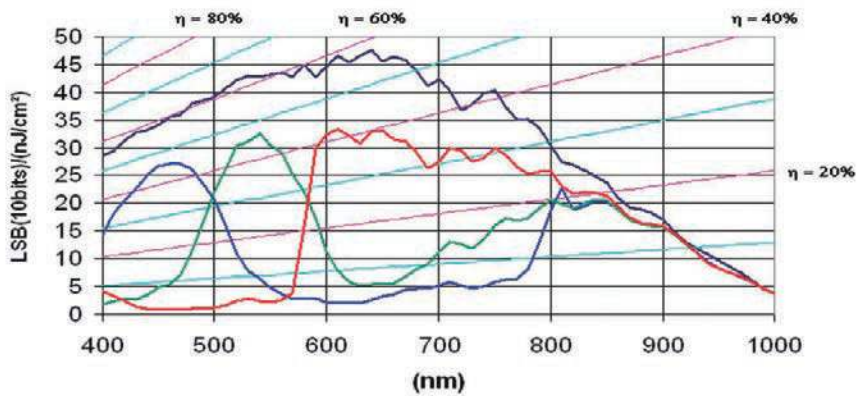
APS-H CMOS 25M, Monochrome



EV76C560ACT

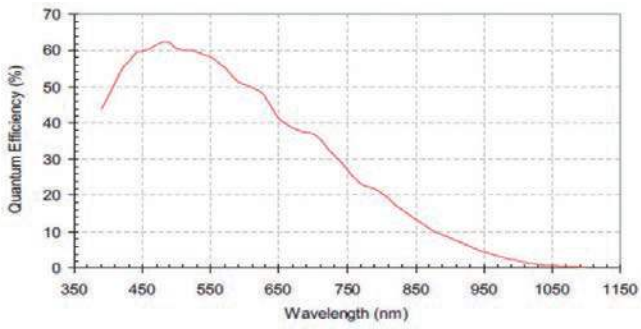
EV76C560ACT

1/1.8" CMOS 1.3M Monochrome, Color



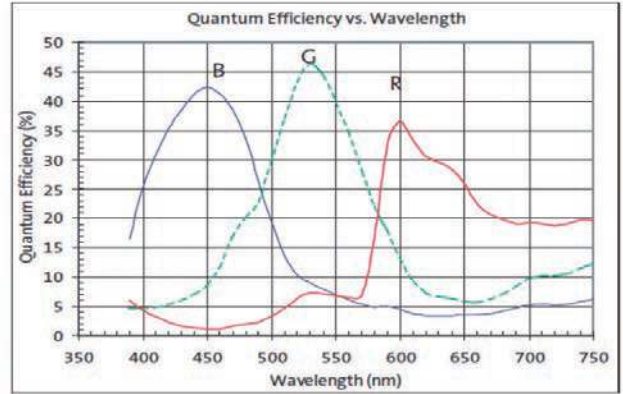
MT9P031

1/2.5" CMOS 5M Monochrome



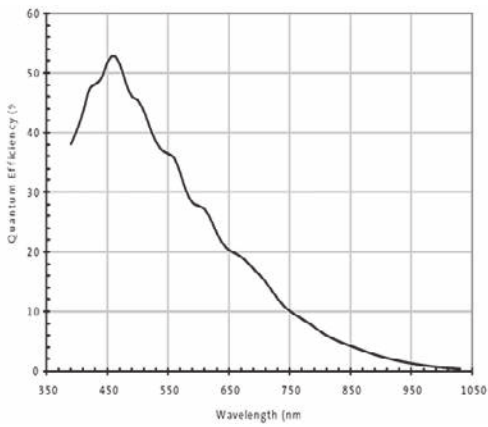
MT9P031

1/2.5" CMOS 5M Color



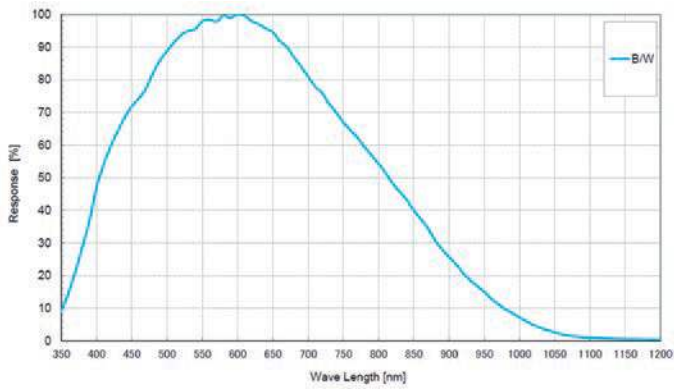
MT9J003

1/2.3" CMOS 10M Monochrome



RJ33B4AA0DT

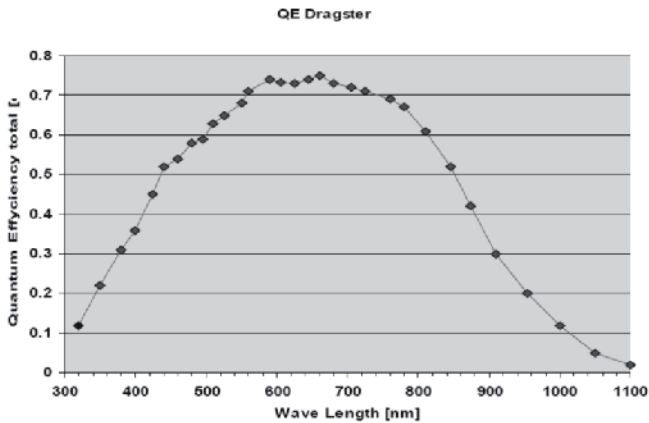
1/3" CCD VGA Monochrome



Line Scan Camera Spectral Characteristics Chart

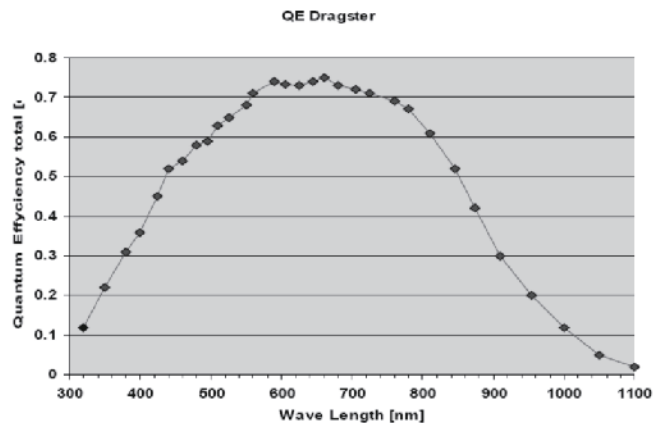
DR-2K-7, DR-4K-7, DR-4K-3.5

2K7 μm Single
 4K7 μm Single
 4K3.5 μm Single



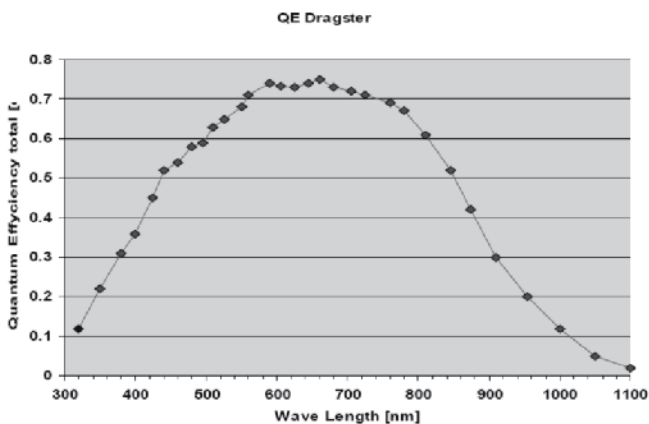
DR-8K-7, DR-8K-3.5, DR-16K-3.5

8K7 μm Single
 8K3.5 μm Single
 16K3.5 μm Single



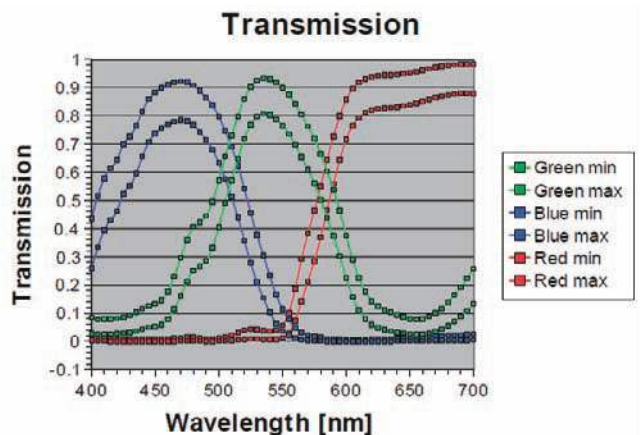
DR-2X2K-7-inver, DR-2X4K-7-inver, DR-2X8K-7

2K7 μm Dual
 4K7 μm Dual
 8K7 μm Dual



DR-2X2K-7-inver-RGB, DR-2X4K-7-inver-RGB, DR-2X8K-7-RGB

2K7 μm Dual
 4K7 μm Dual
 8K7 μm Dual



Trademarks

- * Camera Link, GigE Vision, USB3Vision, and PoCL are trademarks of AIA (Automated Imaging Association).
- * CoaXPress is a trademark of JIIA (Japan Industrial Imaging Association).
- * Opt-C:Link is a registered trademark of AVAL DATA CORPORATION.
- * Windows and Microsoft Visual Studio are either registered trademarks or trademarks of Microsoft Corporation in the United States and/or other countries.
- * The terms HDMI, HDMI High-Definition Multimedia Interface, and the HDMI Logo are trademarks or registered trademarks of HDMI Licensing Administrator, Inc.
- * Other company names and product names in this document are the trademarks or registered trademarks of their respective companies.

Terms and Conditions Agreement

Read and understand this catalog.

Please read and understand this catalog before purchasing the products. Please consult your OMRON representative if you have any questions or comments.

Warranties.

- (a) Exclusive Warranty. Omron's exclusive warranty is that the Products will be free from defects in materials and workmanship for a period of twelve months from the date of sale by Omron (or such other period expressed in writing by Omron). Omron disclaims all other warranties, express or implied.
- (b) Limitations. OMRON MAKES NO WARRANTY OR REPRESENTATION, EXPRESS OR IMPLIED, ABOUT NON-INFRINGEMENT, MERCHANTABILITY OR FITNESS FOR A PARTICULAR PURPOSE OF THE PRODUCTS. BUYER ACKNOWLEDGES THAT IT ALONE HAS DETERMINED THAT THE PRODUCTS WILL SUITABLY MEET THE REQUIREMENTS OF THEIR INTENDED USE.

Omron further disclaims all warranties and responsibility of any type for claims or expenses based on infringement by the Products or otherwise of any intellectual property right. (c) Buyer Remedy. Omron's sole obligation hereunder shall be, at Omron's election, to (i) replace (in the form originally shipped with Buyer responsible for labor charges for removal or replacement thereof) the non-complying Product, (ii) repair the non-complying Product, or (iii) repay or credit Buyer an amount equal to the purchase price of the non-complying Product; provided that in no event shall Omron be responsible for warranty, repair, indemnity or any other claims or expenses regarding the Products unless Omron's analysis confirms that the Products were properly handled, stored, installed and maintained and not subject to contamination, abuse, misuse or inappropriate modification. Return of any Products by Buyer must be approved in writing by Omron before shipment. Omron Companies shall not be liable for the suitability or unsuitability or the results from the use of Products in combination with any electrical or electronic components, circuits, system assemblies or any other materials or substances or environments. Any advice, recommendations or information given orally or in writing, are not to be construed as an amendment or addition to the above warranty.

See <http://www.omron.com/global/> or contact your Omron representative for published information.

Limitation on Liability; Etc.

OMRON COMPANIES SHALL NOT BE LIABLE FOR SPECIAL, INDIRECT, INCIDENTAL, OR CONSEQUENTIAL DAMAGES, LOSS OF PROFITS OR PRODUCTION OR COMMERCIAL LOSS IN ANY WAY CONNECTED WITH THE PRODUCTS, WHETHER SUCH CLAIM IS BASED IN CONTRACT, WARRANTY, NEGLIGENCE OR STRICT LIABILITY.

Further, in no event shall liability of Omron Companies exceed the individual price of the Product on which liability is asserted.

Suitability of Use.

Omron Companies shall not be responsible for conformity with any standards, codes or regulations which apply to the combination of the Product in the Buyer's application or use of the Product. At Buyer's request, Omron will provide applicable third party certification documents identifying ratings and limitations of use which apply to the Product. This information by itself is not sufficient for a complete determination of the suitability of the Product in combination with the end product, machine, system, or other application or use. Buyer shall be solely responsible for determining appropriateness of the particular Product with respect to Buyer's application, product or system. Buyer shall take application responsibility in all cases.

NEVER USE THE PRODUCT FOR AN APPLICATION INVOLVING SERIOUS RISK TO LIFE OR PROPERTY OR IN LARGE QUANTITIES WITHOUT ENSURING THAT THE SYSTEM AS A WHOLE HAS BEEN DESIGNED TO ADDRESS THE RISKS, AND THAT THE OMRON PRODUCT(S) IS PROPERLY RATED AND INSTALLED FOR THE INTENDED USE WITHIN THE OVERALL EQUIPMENT OR SYSTEM.

Programmable Products.

Omron Companies shall not be responsible for the user's programming of a programmable Product, or any consequence thereof.

Performance Data.

Data presented in Omron Company websites, catalogs and other materials is provided as a guide for the user in determining suitability and does not constitute a warranty. It may represent the result of Omron's test conditions, and the user must correlate it to actual application requirements. Actual performance is subject to the Omron's Warranty and Limitations of Liability.

Change in Specifications.

Product specifications and accessories may be changed at any time based on improvements and other reasons. It is our practice to change part numbers when published ratings or features are changed, or when significant construction changes are made. However, some specifications of the Product may be changed without any notice. When in doubt, special part numbers may be assigned to fix or establish key specifications for your application. Please consult with your Omron's representative at any time to confirm actual specifications of purchased Product.

Errors and Omissions.

Information presented by Omron Companies has been checked and is believed to be accurate; however, no responsibility is assumed for clerical, typographical or proofreading errors or omissions.

Note: Do not use this document to operate the Unit.

OMRON Corporation Industrial Automation Company
Kyoto, JAPAN

Contact: www.ia.omron.com

Regional Headquarters

OMRON EUROPE B.V.

Wegalaan 67-69, 2132 JD Hoofddorp
The Netherlands
Tel: (31)2356-81-300/Fax: (31)2356-81-388

OMRON ELECTRONICS LLC

2895 Greenspoint Parkway, Suite 200
Hoffman Estates, IL 60169 U.S.A.
Tel: (1) 847-843-7900/Fax: (1) 847-843-7787

OMRON ASIA PACIFIC PTE. LTD.

No. 438A Alexandra Road # 05-05/08 (Lobby 2),
Alexandra Technopark,
Singapore 119967
Tel: (65) 6835-3011/Fax: (65) 6835-2711

OMRON (CHINA) CO., LTD.

Room 2211, Bank of China Tower,
200 Yin Cheng Zhong Road,
PuDong New Area, Shanghai, 200120, China
Tel: (86) 21-5037-2222/Fax: (86) 21-5037-2200

Authorized Distributor:

© OMRON Corporation 2017-2020 All Rights Reserved.
In the interest of product improvement,
specifications are subject to change without notice.

CSM_4_1

Cat. No. Q259-E1-05

0720(1117)