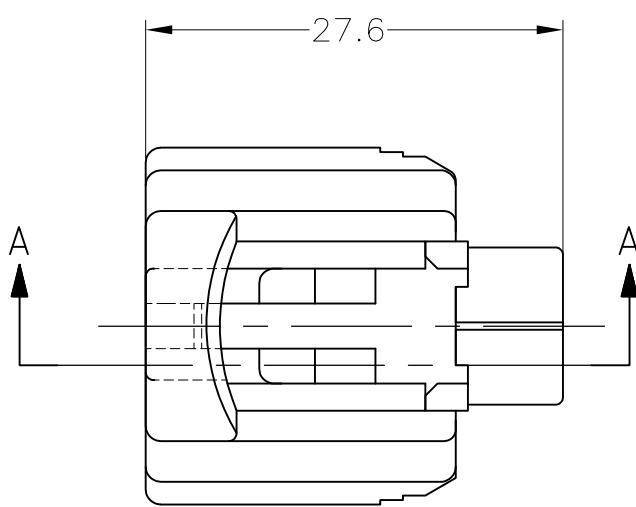
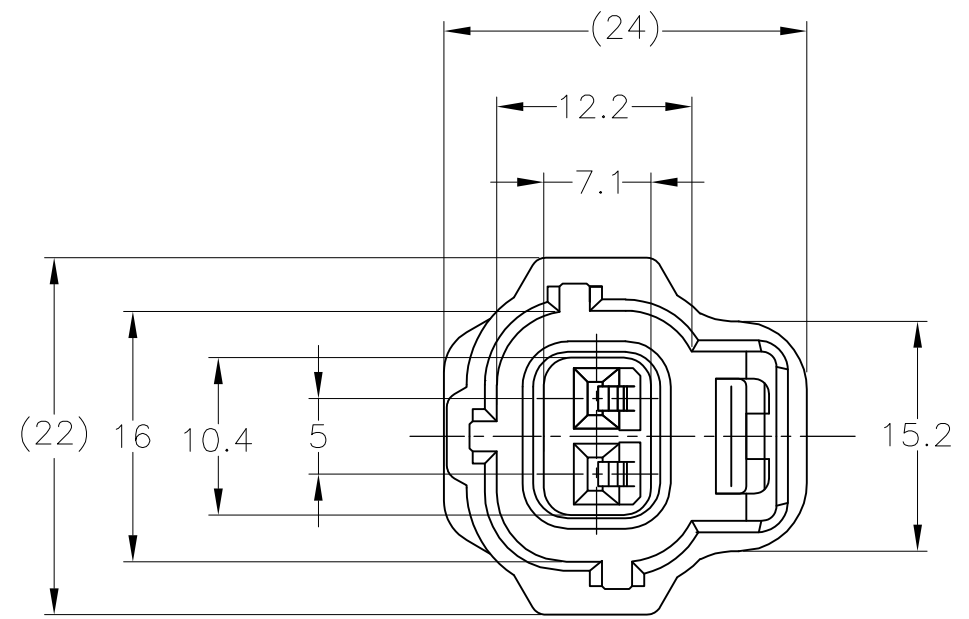


THIS DRAWING IS UNPUBLISHED. RELEASED FOR PUBLICATION  
 © COPYRIGHT 2014 ] ALL RIGHTS RESERVED.

LOC	DIST	REVISIONS					
J	—	P	LTR	DESCRIPTION	DATE	DWN	APVD
		A		RELEASED	06AUG14	DM	TK

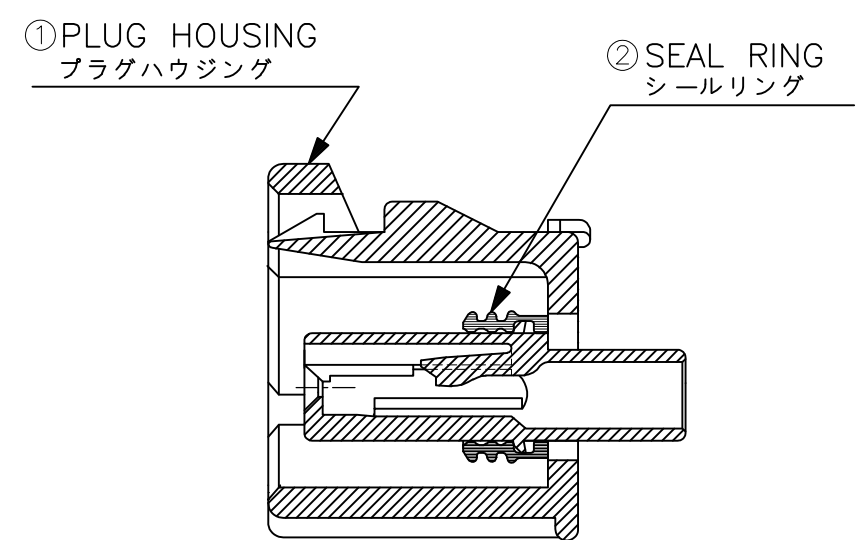


注;

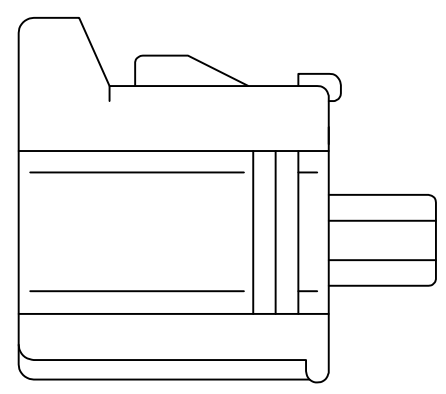
- 1 本品はプラグハウジング単体とNBR製シールリングから構成されている。
- 2 適用端子番：下表による。

コンタクト型番	適用電線	被覆外径
171630	AVS 0.2~AV 0.5	φ1.4~φ2.4
171662	AVS 0.5~1.25	φ2~φ2.6

③ シールリングはフタル酸フリー品である。



A-A



NOTE;

- 1 THIS PRODUCT CONSISTS OF A PLUG HOUSING AND A SEAL RING WHICH IS MADE OF NBR
- 2 APPLIED CONTACT ;

CONTACT PN	WIRE RANGE	INSULATION DIA
171630	AVS 0.2~AV 0.5	φ1.4~φ2.4
171662	AVS 0.5~1.25	φ2~φ2.6

③ SEAL RING IS NON-BIS TYPE

NBR/BLACK	PBT/DARK GREEN	2822362-4
NBR/BLACK	PBT/GRAY	2822362-3
NBR/BLACK	PBT/GREEN	2822362-2
NBR/BLACK	PBT/BROWN	2822362-1
② SEAL RING	① PLUG HOUSING	PART NUMBER
MATERIAL / COLOR		

TOLERANCE UNLESS OTHERWISE SPECIFIED:  
一般公差

0 < x ≤ 10	: ±0.2
10 < x ≤ 30	: ±0.25
30 < x ≤ 100	: ±0.3
ANGLE : 角度	: ±3°

THIS DRAWING IS A CONTROLLED DOCUMENT.		DWN D.MATSUURA 06AUG2014	TE Connectivity				
DIMENSIONS: mm		CHK S.IWATANI 06AUG2014					
TOLERANCES UNLESS OTHERWISE SPECIFIED:		APVD T.KOHNO 06AUG2014	NAME				
		PRODUCT SPEC 108-5262	070 SERIES EJ-2 CONNECTOR 2 POSITION PLUG HOUSING KEY D				
MATERIAL SEE TABLE		FINISH -	APPLICATION SPEC -	SIZE A3	CAGE CODE 00779	DRAWING NO C-2822362	RESTRICTED TO -
CUSTOMER DRAWING			WEIGHT 5.3 g	SCALE 2:1	SHEET 1 OF 1	REV A	