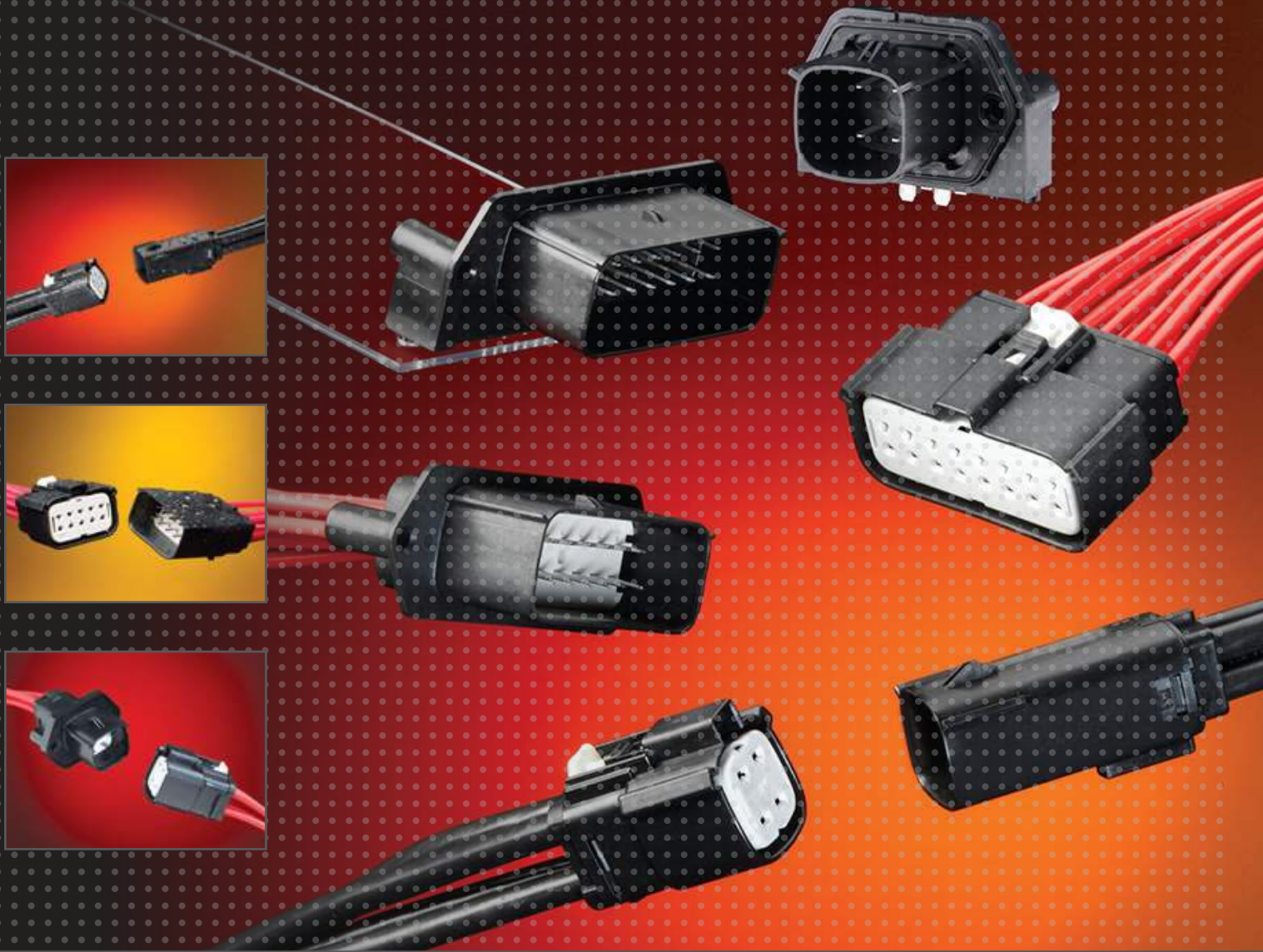


MX150L™ INDUSTRIAL > SEALED CONNECTOR SYSTEM



molex®

The MX150L™ Industrial Sealed Connector System is IP67 rated and conforms to UL 1977, but it is NOT suitable for automotive applications with requirements such as USCAR-2, USCAR-25, GMW3191, AK Testing, J2030, Volvo Technology Requirements, and Toyota Connector Spec (TCS)

The MX150L sealed connector system is designed to meet the need for a rugged, environmentally sealed connector system supporting both low-level signal applications as well as power applications up to 40.0A, from marine applications to off-road construction equipment applications. The system is comprised of wire-to-wire, wire-to-panel and wire-to-board configurations.

These innovative mat-sealed connectors are based upon the 1.50 and 2.50mm (.059 and .098") blade-type terminals. This design eliminates the need to purchase, handle and crimp individual wire seals to lower applied cost. The mat-seal design is a single silicone-based seal with individual wire openings and a seal cap to protect, securely retain, and provide strain relief to the seal. The cost-effective connector design features all-in-one plug and receptacle housings with pre-assembled mat-wire and interfacial connector seals. Integral Terminal Position Assurance (TPA) and optional Connector Position Assurance (CPA) components eliminate time-consuming and costly assembly operations. Completing the application is as simple as crimping the appropriate terminal, inserting the crimped terminal lead and seating the TPA to its final locked position. No additional components are required.

Tooling solutions include FineAdjust™ crimp press applicators for high-volume production, as well as hand tools for low-volume production and field repairs.

Features and Benefits

Pre-assembled connector housings, seals, TPA components and mat-seal cap shipped in one piece to provide applied labor and cost savings

Integral TPA assures that crimped terminal leads are properly locked into connector (TPA will not seat into final lock position and connector system will not latch if terminal is not locked properly into position)

Conforms to UL 1977, which allows for a UL recognized sealed connector system for use in data, signal, control and power applications

Superior electrical and mechanical performance capabilities surpass performance of most mature competitive products in market

Audible and tactile clicks on insertion, extraction and mating feedback facilitates reliable mating and terminal loading and removal

Unused circuits can be blocked using plastic seal plugs, which facilitates flexibility of sealing unused circuits without adding complexity to part numbers and customer inventory

Integral locking latch with secondary, pre-loaded CPA option assures that connector system is properly latched. CPA will not move to final locked position if connector is not latched. Confirms positive mating of connector

Sealed panel mount plugs are equipped with a blind hole boss feature which reduces extra hardware while improving the sealing process during assembly by eliminating a leak path

MX150L™ Industrial Sealed Connector System

Integral, 2-way mat and interface seals designed and tested to IEC IP 67 standards exceeds "waterproof" demands as a true sealed connector system tested under submersed conditions in various fluids

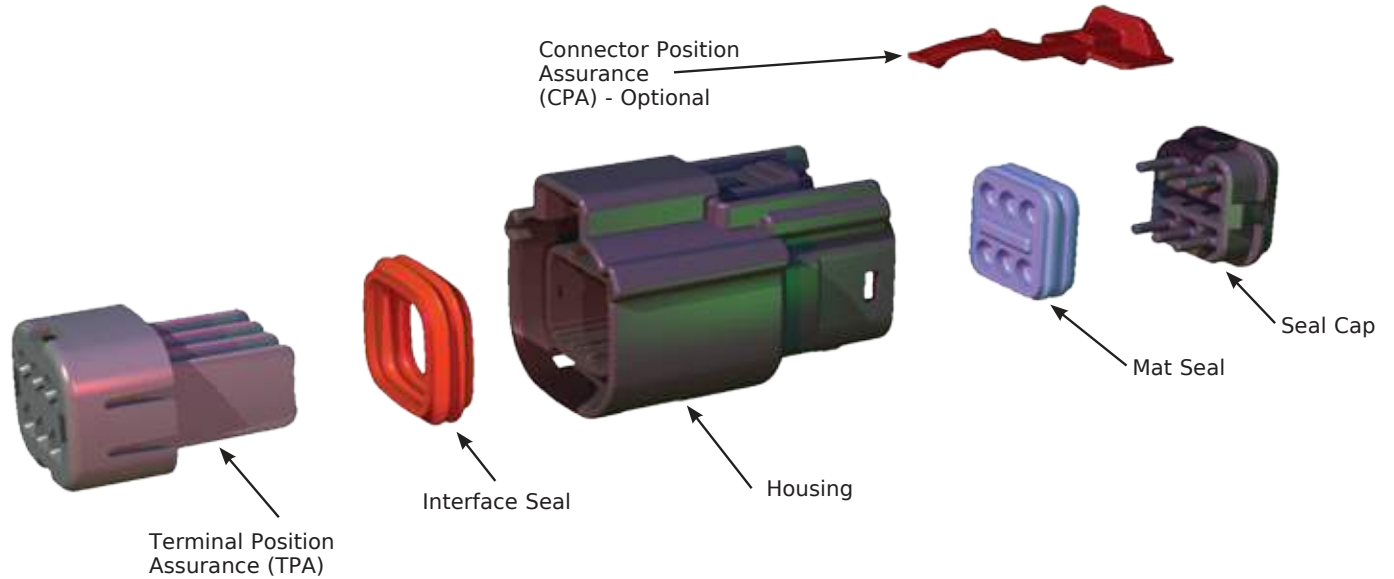
Easy terminal insertion and extraction provides quick, low-cost field repairs using common screw driver, needle nose pliers and terminal extraction tool

Protective mat-seal cap protects, securely retains, and provides strain relief to wire seal interface

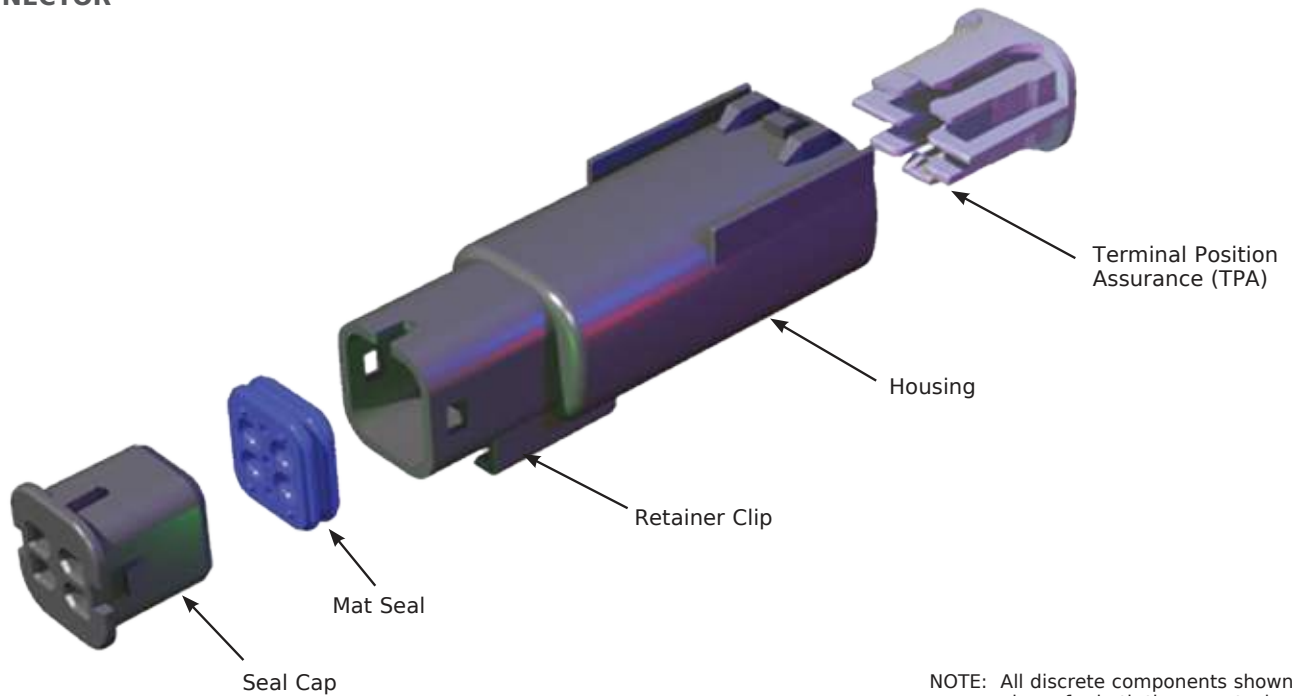
Simple crimp, poke and plug application eliminates need to crimp individual wire seals

MX150L™ Industrial Sealed Connector System - Exploded View

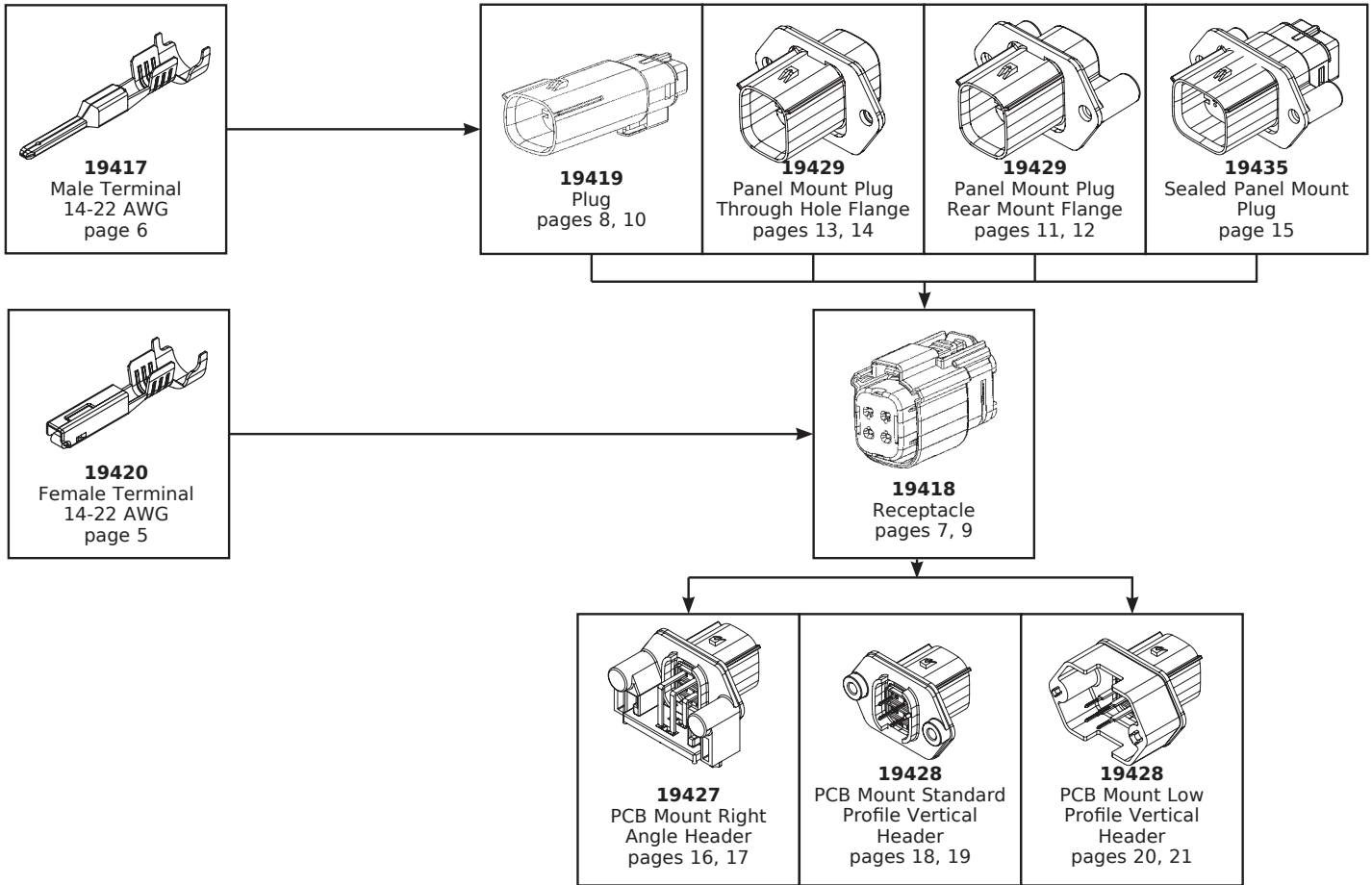
RECEPTACLE CONNECTOR



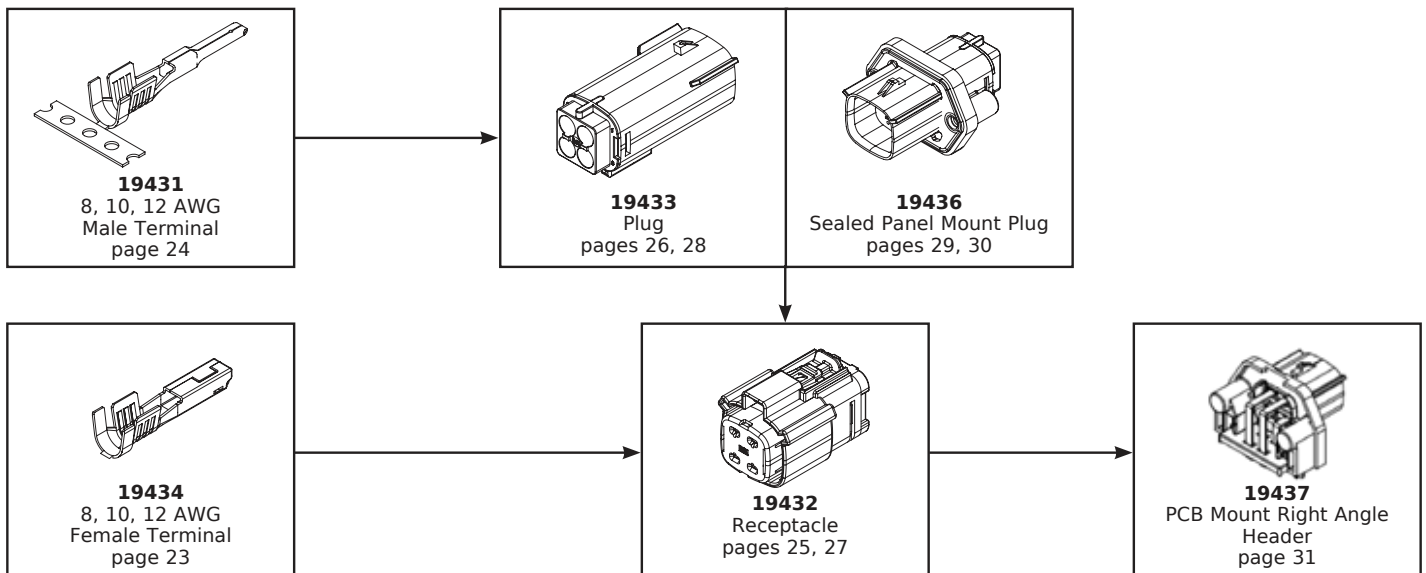
PLUG CONNECTOR



NOTE: All discrete components shown above for both the receptacle and plug housings are pre-assembled. Terminals are simply crimped and poked into the housings. No additional wire seals, wedge locks or CPA locks are required.



8, 10 and 12 AWG Wire-to-Wire, Panel-Mount and Wire-to-Board (PCB Mount) Applications



Specifications

Features and Benefits

Mat seal friendly design features
center seam and coined edges
Anti-over stress beam
geometry feature
Low insertion force

Reference Information

UL File No.: E152602
Designed In: Inches
Used With: 19418

Electrical

Current: 18.0A

Physical

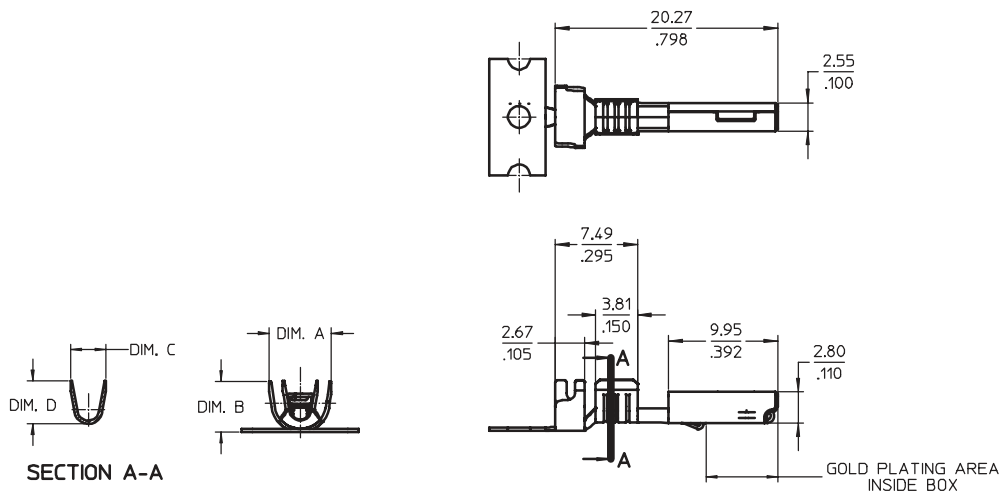
Contact: Copper Alloy
Plating: Tin or Gold

Mechanical

Contact Insertion Force: 1.0 lb. max.
Durability:
Tin Plating—25 cycles
Gold Plating—100 cycles



Catalog Drawing (For Reference only)



Ordering Information

Wire Range (AWG)	Insulation Diameter mm (In)	Order No.			Dimension			
		Pre-Tin		Gold	A	B	C	D
		Strip	Loose	Strip				
18-22	2.36-2.74 (.093-.108)	19420-0002	19420-0010	19420-0004	4.60 (.181)	3.63 (.143)	2.50 (.098)	2.70 (.106)
14-16	2.87-3.53 (.113-.139)	19420-0001	19420-0009	19420-0003	5.66 (.223)	4.62 (.182)	3.58 (.141)	3.94 (.155)

Features and Specifications

Features and Benefits

Mat seal friendly design features
center seam and coined Electrical
Low insertion force

Reference Information

UL File No.: E152602
Designed In: Inches
Used With: 19419, 19429 and 19435

Electrical

Current: 18.0A

Physical

Contact: Copper Alloy
Plating: Tin or Gold

Mechanical

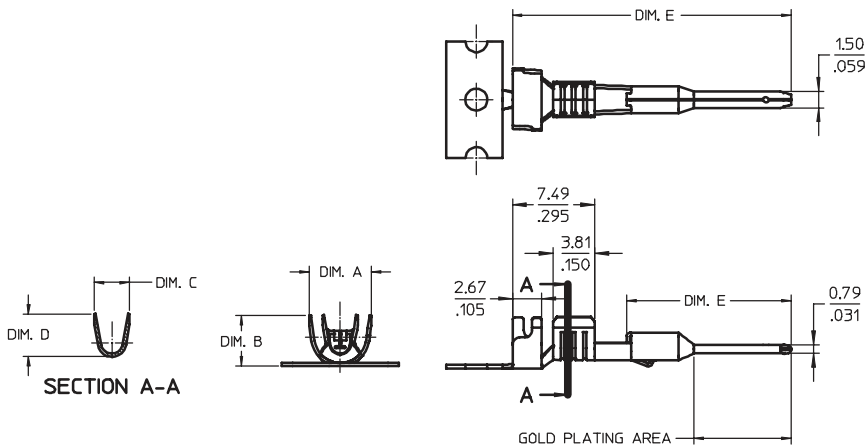
Contact Insertion Force: 1.0 lb. max.
Durability:
Tin Plating—25 cycles
Gold Plating—100 cycles

**5.84mm (.230")
Pitch MX150L™
Industrial Terminal**

19417 Male



Catalog Drawing (For Reference only)



Ordering Information

Wire Range (AWG)	Insulation Diameter mm (In)	Order No.			Pin Length	Dimension				
		Pre-Tin		Gold		A	B	C	D	E
		Strip	Loose	Strip						
18-22	2.36-2.74 (.093-.108)	19417-0024	19417-0048	19417-0026	Standard	4.60 (.181)	3.63 (.143)	2.50 (.098)	2.70 (.106)	25.40 (1.00)
14-16	2.87-3.53 (.113-.139)	19417-0011	19417-0047	19417-0025	Standard	5.66 (.223)	4.62 (.182)	3.58 (.141)	3.94 (.155)	25.40 (1.00)
18-22	2.36-2.74 (.093-.108)	19417-0028	-	19417-0030	Long	4.60 (.181)	3.63 (.143)	2.50 (.098)	2.70 (.106)	26.16 (1.03)
14-16	2.87-3.53 (.113-.139)	19417-0027	-	19417-0029	Long	5.66 (.223)	4.62 (.182)	3.58 (.141)	3.94 (.155)	26.16 (1.03)

Features and Specifications

Features and Benefits

Environmentally sealed to IP67
Integrated mat wire seal
Integrated interface seal and terminal position assurance (TPA)
Optional connector position assurance (CPA)
Simple crimp-and-poke application
Field serviceable contact removal system
Tactile and audible mating feedback

Reference Information

UL File No.: E152602
Designed In: Inches
Mates With: 19419, 19429

Electrical

Dielectric Withstanding Voltage: 2200V AC min.
Insulation Resistance: 1000 Megohms
Voltage: 600V

Mechanical

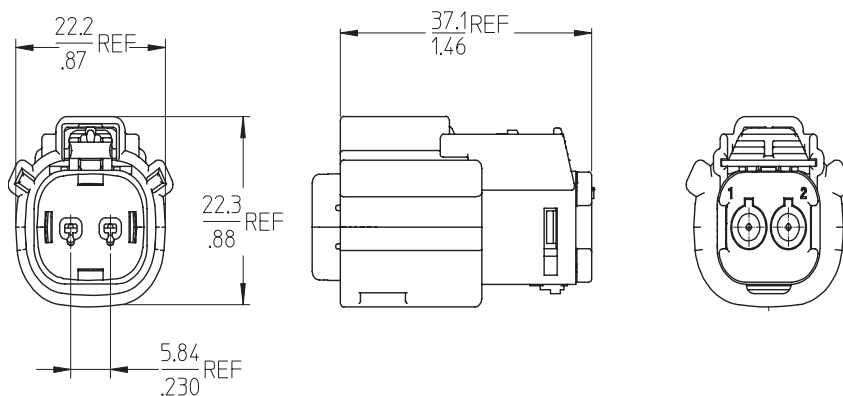
Mating force: 75N max.
Unmating force: 75N max.

Physical

Housing: SPS Glass-Filled Crystalline Polymer
Operating Temperature: -40 to +125°C



Catalog Drawing (For Reference only)



Ordering Information

Circuits	Wire Range (AWG)	Mat Seal Color	Order No.	
			with CPA	without CPA
2	18-22	Red	19418-0008	19418-0016
	14-16	Blue	19418-0007	19418-0017

Features and Specifications

Features and Benefits

Environmentally sealed to IP67
 Integrated mat wire seal and terminal position assurance (TPA)
 Simple crimp-and-poke application
 Field serviceable contact removal system
 Tactile and audible mating feedback

Reference Information

UL File No.: E152602
 Designed In: Inches
 Mates With: 19418

Electrical

Dielectric Withstanding Voltage: 2200V AC min.
 Insulation Resistance: 1000 Megohms
 Voltage: 600V

Mechanical

Mating force: 75N max.
 Unmating force: 75N max.

Physical

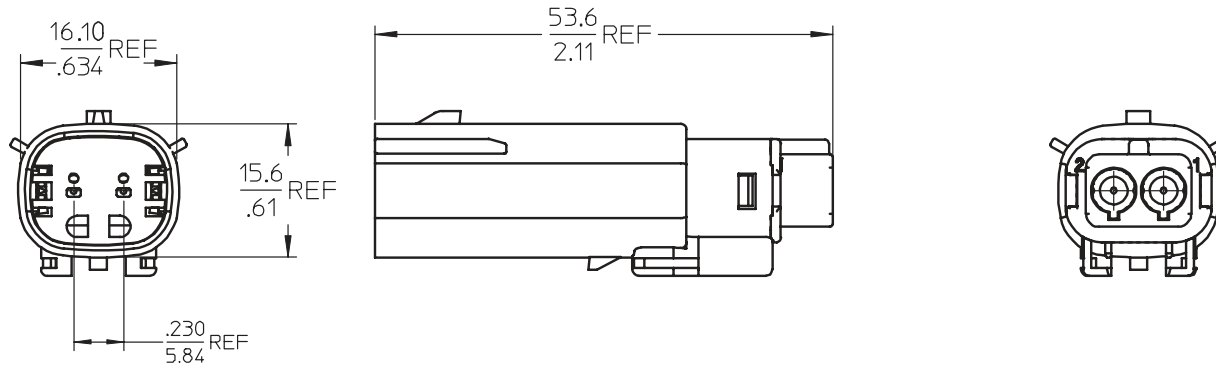
Housing: SPS Glass-Filled Crystalline Polymer
 Operating Temperature: -40 to +125°C

**5.84mm (.230")
 Pitch MX150L™
 Industrial Plug**

19419 Single Row



Catalog Drawing (For Reference only)



Ordering Information

Circuits	Wire Range (AWG)	Mat Seal Color	Order No.
2	18-22	Red	19419-0008
	14-16	Blue	19419-0007

Features and Specifications

Features and Benefits

Environmentally sealed to IP67
Integrated mat wire seal and terminal position assurance (TPA)
Optional connector position assurance (CPA)
Simple crimp-and-poke application
Field serviceable contact removal system
Tactile and audible mating feedback

Reference Information

UL File No.: E152602
Designed In: Inches
Mates With: 19419, 19429 and 19435

Electrical

Dielectric Withstanding Voltage: 2200V AC min.
Insulation Resistance: 1000 Megohms
Voltage: 600V

Mechanical

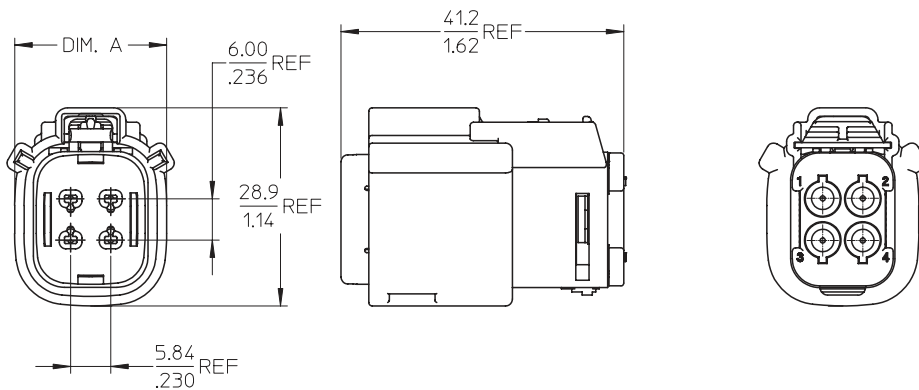
Mating force: 75N max.
Unmating force: 75N max.

Physical

Housing: SPS Glass-Filled Crystalline Polymer
Operating Temperature: -40 to +125°C



Catalog Drawing (For Reference only)



Ordering Information

Circuits	Wire Range (AWG)	Mat Seal Color	Order No.		Dimension A
			With CPA	Without CPA	
4	18-22	Red	19418-0005	19418-0018	22.15 (.872)
	14-16	Blue	19418-0004	19418-0019	
6	18-22	Red	19418-0011	19418-0020	27.99 (1.102)
	14-16	Blue	19418-0010	19418-0021	
8	18-22	Red	19418-0001	19418-0022	33.83 (1.332)
	14-16	Blue	19418-0002	19418-0023	
10	18-22	Red	19418-0014	19418-0024	39.67 (1.562)
	14-16	Blue	19418-0013	19418-0025	
12	18-22	Red	19418-0026	19418-0038	45.51 (1.792)
	14-16	Blue	19418-0027	19418-0037	
16	18-22	Red	19418-0029	19418-0040	57.19 (2.252)
	14-16	Blue	19418-0030	19418-0039	

Features and Specifications

Features and Benefits

Environmentally sealed to IP67
 Integrated mat wire seal and terminal position assurance (TPA)
 Simple crimp-and-poke application
 Field serviceable contact removal system
 Tactile and audible mating feedback

Reference Information

UL File No.: E152602
 Designed In: Inches
 Mates With: 19418

Electrical

Dielectric Withstanding Voltage: 2200V AC min.
 Insulation Resistance: 1000 Megohms
 Voltage: 600V

Mechanical

Mating force: 75N max.
 Unmating force: 75N max.

Physical

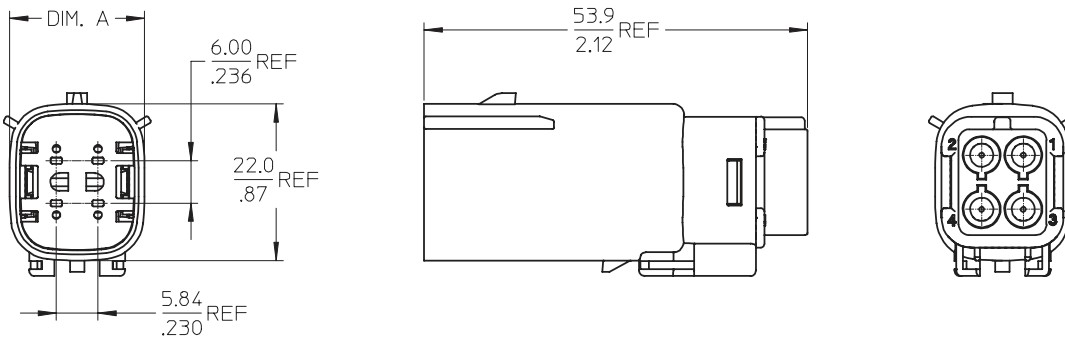
Housing: SPS Glass-Filled Crystalline Polymer
 Operating Temperature: -40 to +125°C

**5.84mm (.230")
 Pitch MX150L™
 Industrial Plug**

19419 Dual Row



Catalog Drawing (For Reference only)



Ordering Information

Circuits	Wire Range (AWG)	Mat Seal Color	Order No.	Dimension A
4	18-22	Red	19419-0005	16.10 (.634)
	14-16	Blue	19419-0004	
6	18-22	Red	19419-0012	24.78 (.976)
	14-16	Blue	19419-0011	
8	18-22	Red	19419-0001	30.62 (1.206)
	14-16	Blue	19419-0002	
10	18-22	Red	19419-0015	36.47 (1.436)
	14-16	Blue	19419-0014	
12	18-22	Red	19419-0017	42.31 (1.666)
	14-16	Blue	19419-0018	
16	18-22	Red	19419-0020	53.99 (2.126)
	14-16	Blue	19419-0021	

Features and Specifications

Features and Benefits

- Environmentally sealed to IP67 when mated
- Integrated terminal position assurance (TPA)
- Simple crimp-and-poke application
- Field serviceable contact removal system
- Tactile and audible mating feedback
- For outside or inside panel mount applications with sufficient sealing area
- Use with molded silicone panel gasket
- Blind hole boss feature eliminates leak path and reduces extra sealing process during assembly

Reference Information

- UL File No.: E152602
- Designed In: Inches
- Mates With: 19418

Electrical

- Dielectric Withstanding Voltage: 2200V AC min.
- Insulation Resistance: 1000 Megohms
- Voltage: 600V

Mechanical

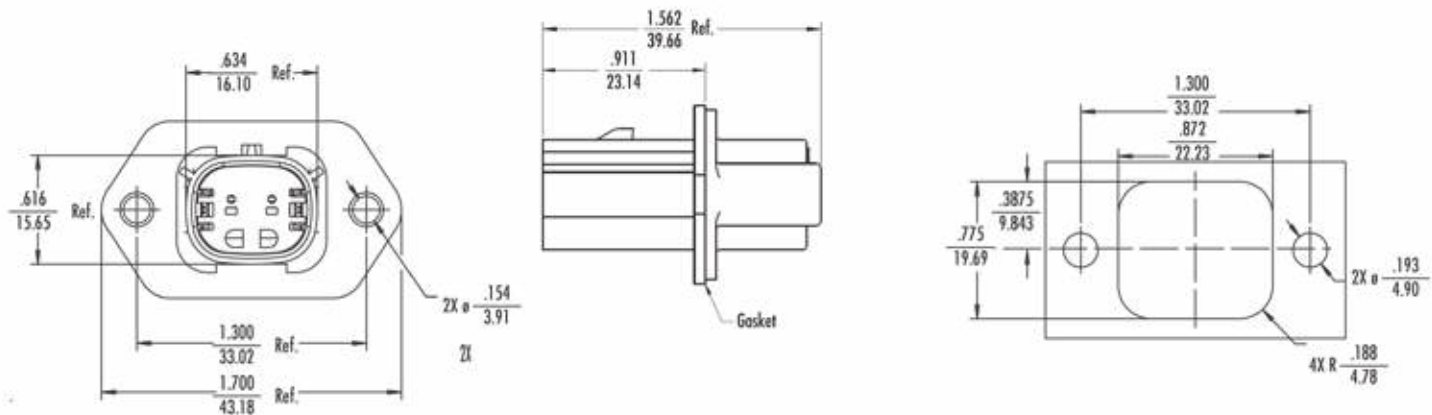
- Mating force: 75N max.
- Unmating force: 75N max.

Physical

- Housing: SPS Glass-Filled Crystalline Polymer
- Operating Temperature: -40 to +125°C



Catalog Drawing (For Reference only)



Ordering Information

Circuits	Wire Range (AWG)	Order No.		
		With Gasket	Without Gasket	Gasket
2	14-22	19429-0033	19429-0005	19427-0025

Note: Recommended Mounting Hardware: (2) #10 x .62/18.9 long, plastic thread cutting screws
Suggested Source: ITW Shakeproof BosScrew™ or equivalent

Features and Specifications

Features and Benefits

- Environmentally sealed to IP67
- Integrated terminal position assurance (TPA)
- Simple crimp-and-poke application
- Field serviceable contact removal system
- Tactile and audible mating feedback
- For outside or inside panel mount applications with sufficient sealing area
- Use with molded silicone panel gasket
- Blind hole boss feature eliminates leak path and reduces extra sealing process during assembly

Reference Information

- UL File No.: E152602
- Designed In: Inches
- Mates With: 19418

Electrical

- Dielectric Withstanding Voltage: 2200V AC min.
- Insulation Resistance: 1000 Megohms
- Voltage: 600V

Mechanical

- Mating force: 75N max.
- Unmating force: 75N max.

Physical

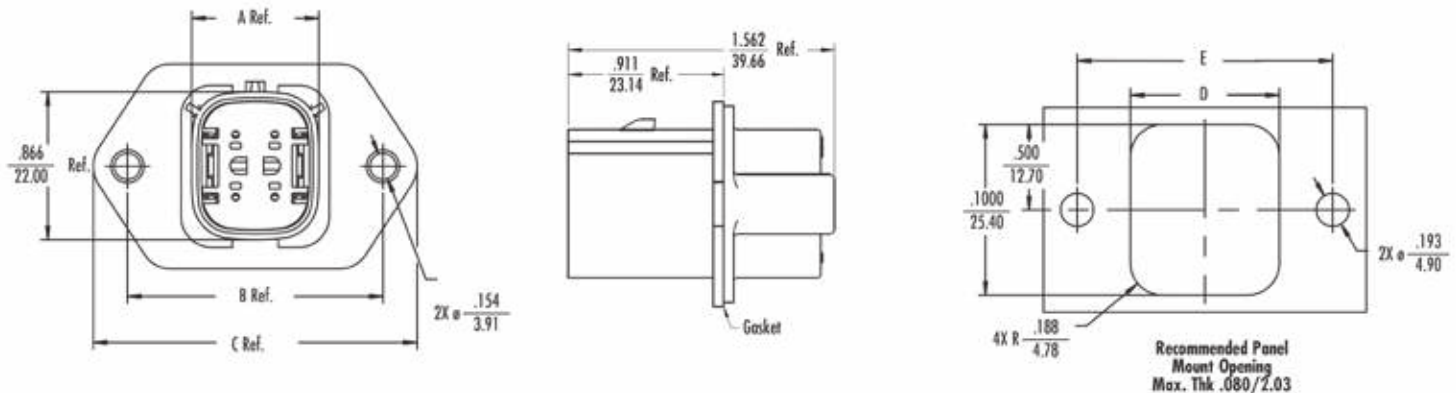
- Housing: SPS Glass-Filled Crystalline Polymer
- Operating Temperature: -40 to +125°C

5.84mm (.230") Pitch MX150L™ Industrial Panel Mount Plug

19429 Rear Mount Flange Dual Row



Catalog Drawing (For Reference only)



Ordering Information

Circuits	Wire Range (AWG)				Dimensions				
		With Gasket	Without Gasket	Gasket	A	B	C	D	E
4	14-22	19429-0035	19429-0009	19427-0024	18.94 (.746)	38.10 (1.500)	48.26 (1.900)	22.23 (.875)	38.10 (1.500)
6		19429-0036	19429-0010	19427-0021	24.78 (.976)	41.92 (1.650)	52.08 (2.050)	28.07 (1.105)	41.92 (1.650)
8		19429-0037	19429-0011	19427-0022	30.62 (1.206)	48.26 (1.900)	58.42 (2.300)	33.88 (1.334)	48.26 (1.900)
10		19429-0038	19429-0014	19427-0029	36.47 (1.436)	54.61 (2.150)	64.75 (2.549)	39.75 (1.565)	54.61 (2.150)
12		19429-0039	19429-0015	19427-0030	42.31 (2.400)	60.96 (2.400)	70.97 (2.794)	45.59 (1.795)	60.96 (2.400)
16		19429-0040	19429-0016	19427-0023	53.99 (2.126)	73.67 (2.900)	83.83 (3.300)	57.28 (2.255)	73.67 (2.900)

Note: Recommended Mounting Hardware: (2) #10 x .62/18.9 long, plastic thread cutting screws
Suggested Source: ITW Shakeproof BosScrew™ or equivalent

Features and Specifications

Features and Benefits

- Environmentally sealed to IP67 when mated
- Integrated terminal position assurance (TPA)
- Simple crimp-and-poke application
- Field serviceable contact removal system
- Tactile and audible mating feedback
- For outside or inside panel mount applications with sufficient sealing area
- Use with molded silicone panel gasket

Reference Information

- UL File No.: E152602
- Designed In: Inches
- Mates With: 19418

Electrical

- Dielectric Withstanding Voltage: 2200V AC min.
- Insulation Resistance: 1000 Megohms Voltage: 600V

Mechanical

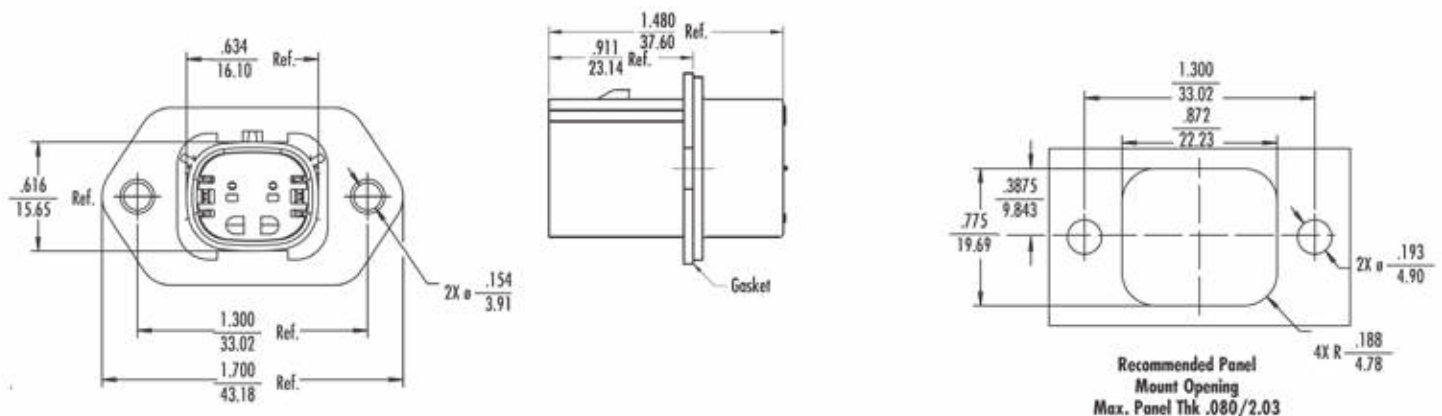
- Mating force: 75N max.
- Unmating force: 75N max.

Physical

- Housing: SPS Glass-Filled Crystalline Polymer
- Operating Temperature: -40 to +125°C



Catalog Drawing (For Reference only)



Ordering Information

Circuits	Wire Range (AWG)	Order No.		
		With Gasket	Without Gasket	Gasket
2	14-22	19429-0041	19429-0026	19427-0025

Features and Specifications

Features and Benefits

- Environmentally sealed to IP67
- Integrated terminal position assurance (TPA)
- Simple crimp-and-poke application
- Field serviceable contact removal system
- Tactile and audible mating feedback
- For outside or inside panel mount applications with sufficient sealing area
- Use with molded silicone panel gasket

Reference Information

- UL File No.: E152602
- Designed In: Inches
- Mates With: 19418

Electrical

- Dielectric Withstanding Voltage: 2200V AC min.
- Insulation Resistance: 1000 Megohms
- Voltage: 600V

Mechanical

- Mating force: 75N max.
- Unmating force: 75N max.

Physical

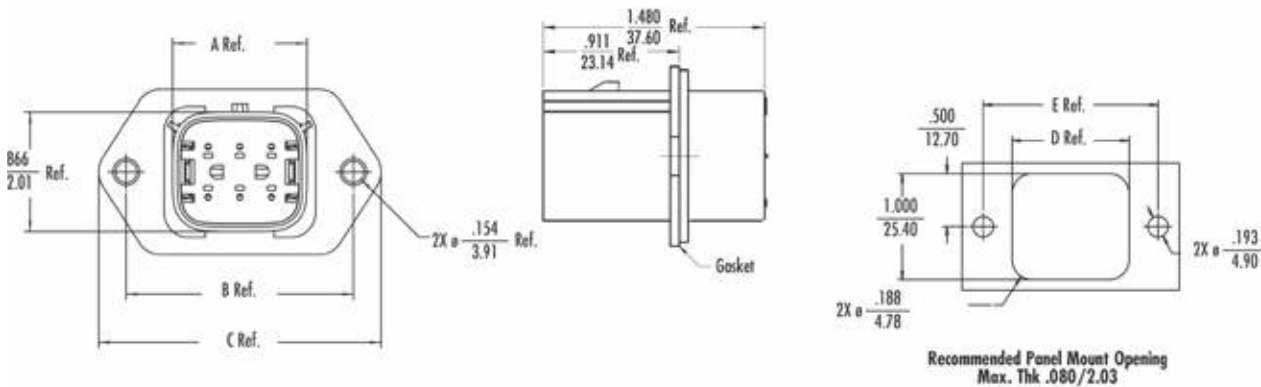
- Housing: SPS Glass-Filled Crystalline Polymer
- Operating Temperature: -40 to +125°C

**5.84mm (.230")
Pitch MX150L™
Industrial Panel
Mount Plug**

19429 Through Hole Flange
Dual Row



Catalog Drawing (For Reference only)



Ordering Information

Circuits	Wire Range (AWG)	Order No.			Dimension				
		With Gasket	Without Gasket	Gasket	A	B	C	D	E
4	14-22	19429-0043	19429-0025	19427-0024	16.10 (.634)	38.10 (1.500)	48.26 (1.900)	22.23 (.875)	38.10 (1.500)
6		19429-0044	19429-0028	19427-0021	24.78 (.976)	41.92 (1.650)	52.08 (2.050)	28.07 (1.105)	41.92 (1.650)
8		19429-0045	19429-0029	19427-0022	30.62 (1.206)	48.26 (1.900)	58.42 (2.300)	33.88 (1.334)	48.26 (1.900)
10		19429-0046	19429-0030	19427-0029	36.47 (1.436)	54.61 (2.150)	64.75 (2.549)	39.75 (1.565)	54.61 (2.150)
12		19429-0047	19429-0031	19427-0030	42.31 (2.400)	60.96 (2.400)	70.97 (2.794)	45.59 (1.795)	60.96 (2.400)
16		19429-0048	19429-0032	19427-0023	53.99 (2.126)	73.67 (2.900)	83.83 (3.300)	57.28 (2.255)	73.67 (2.900)

Note: Recommended Mounting Hardware: (2) #10 x .62/18.9 long, plastic thread cutting screws
Suggested Source: ITW Shakeproof BosScrew™ or equivalent

5.84mm (.230") Pitch MX150L™ Industrial Sealed Panel Mount Plug

19435 Rear Mount Flange
Dual Row

Specifications

Features and Benefits

- Environmentally sealed to IP67
- Mates with existing MX150L receptacles
- Supports non-closed in panels
- Field serviceable contact removal system
- Tactile and audible mating feedback
- Blind hole boss feature eliminates leak path and reduces extra sealing process during assembly

Reference Information

- UL File No.: E152602
- Designed in: Inches
- Mates with: 19418

Electrical

- Dielectric Withstanding Voltage: 2200V AC min
- Insulation Resistance: 1000 Megohms min.
- Voltage: 600v

Mechanical

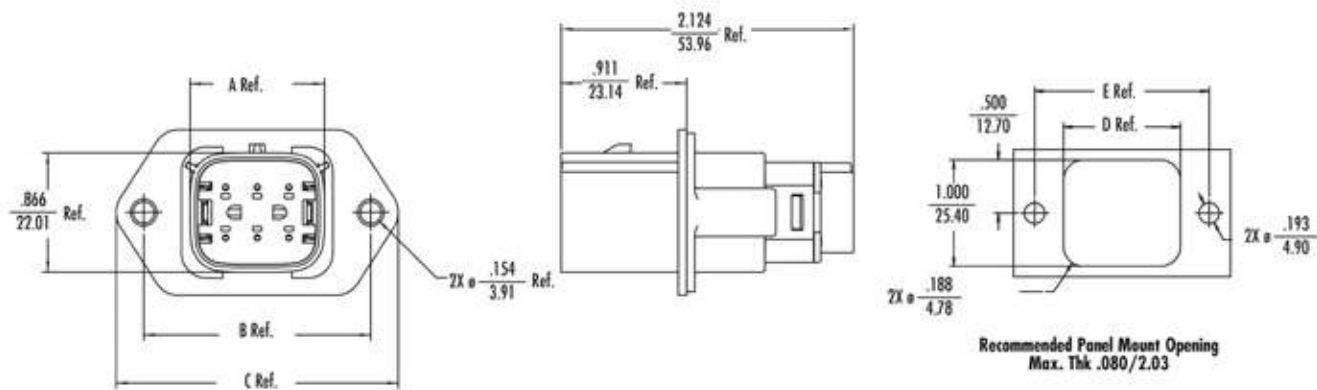
- Mating Force: 75N max
- Unmating Force: 75N max

Physical

- Housing: Glass-Filled PBT
- Operating Temperature: -40 to +125°C



Catalog Drawing (For Reference only)



Ordering Information

Circuits	Wire Range (AWG)	Mat Seal Color	Order No.		Dimension				
			With Gasket	Without Gasket	A	B	C	D	E
6	18-22	Red	19435-0612	19435-0614	24.78 (.976)	41.92 (1.650)	52.08 (2.050)	28.07 (1.105)	41.92 (1.650)
	14-16	Blue	19435-0611	19435-0613	24.78 (.976)	41.92 (1.650)	52.08 (2.050)	28.07 (1.105)	41.92 (1.650)
8	18-22	Red	19435-0812	19435-0814	30.62 (1.206)	48.26 (1.90)	58.42 (2.30)	33.88 (1.334)	48.26 (1.90)
	14-16	Blue	19435-0811	19435-0813	30.62 (1.206)	48.26 (1.90)	58.42 (2.30)	33.88 (1.334)	48.26 (1.90)
10	18-22	Red	19435-1012	19435-1014	36.47 (1.436)	54.61 (2.150)	64.75 (2.549)	39.75 (1.565)	54.61 (2.150)
	14-16	Blue	19435-1011	-	36.47 (1.436)	54.61 (2.150)	64.75 (2.549)	39.75 (1.565)	54.61 (2.150)
12	18-22	Red	19435-1212	19435-1214	42.31 (1.67)	60.96 (2.40)	70.97 (2.794)	45.59 (1.795)	60.96 (2.40)
	14-16	Blue	19435-1211	19435-1213	42.31 (1.67)	60.96 (2.40)	70.97 (2.794)	45.59 (1.795)	60.96 (2.40)
8	18-22	-	19435-1219	-	-	-	-	-	-
12		-	-	19435-1219	-	-	-	-	-

Note: Recommended Mounting Hardware: (2) #10 x .62/18.9 long, plastic thread cutting screws
Suggested Source: ITW Shakeproof BosScrew™ or equivalent

Features and Specifications

Features and Benefits

Environmentally sealed to IP67
 Mates with existing MX150L receptacles
 Molded silicone panel gasket included
 Available in tin or gold plating
 Supports 14-22 AWG receptacle
 Tactile and audible mating feedback
 Blind hole boss feature eliminates
 leak path and reduces extra
 sealing process during assembly

Reference Information

Packaging: Tray
 UL File No.: E152602
 Designed in: Inches
 Mates with: 19418

Electrical

Dielectric Withstanding Voltage:
 2200V AC min
 Insulation Resistance:
 1000 Megohms min.
 Voltage: 600v

Mechanical

Durability:
 Tin Plating—25 cycles
 Gold Plating—100 cycles

Physical

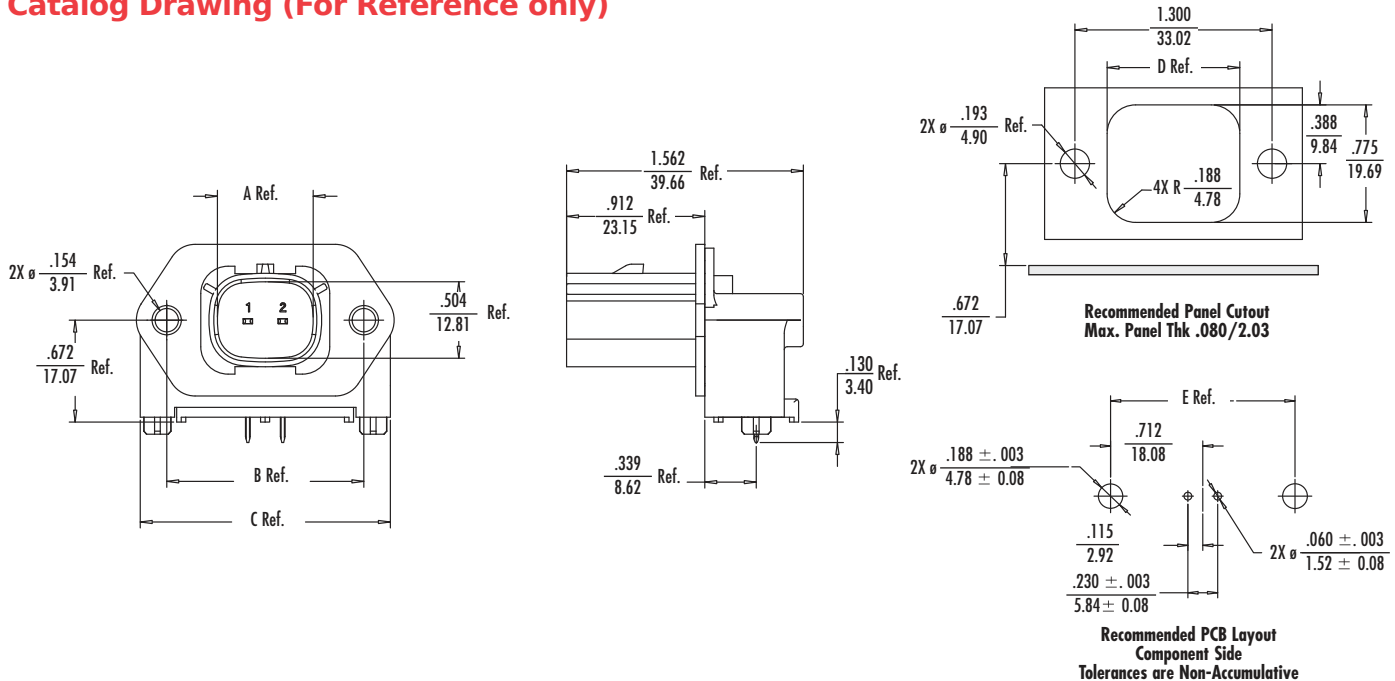
Housing: Glass-Filled PBT
 Contact: Copper Alloy
 Plating:
 Contact Area – Tin or Gold
 Solder Tail Area – Tin
 PCB Thickness: 1.60mm (.062") max.
 Operating Temperature:
 -40 to +125°C

5.84mm (.230") Pitch MX150L™ Industrial PCB Header

19427 Right Angle Without
 PCB Flange Single Row



Catalog Drawing (For Reference only)



Ordering Information

Circuits	Order No.		Dimension				
	Tin	Select Gold/Tin	A	B	C	D	E
2	19427-0040	19427-0109	16.04 (.632)	33.02 (1.300)	41.90 (1.649)	22.23 (.875)	36.14 (1.423)

Note: Recommended Mounting Hardware: (2) #10 x .62/15.9 long, plastic thread cutting screws
 Suggested Source: ITW Shakeproof BosScrew™ or equivalent

Features and Specifications

Features and Benefits

- Environmentally sealed to IP67
- Mates with existing MX150L receptacles
- Molded silicone panel gasket included
- Available in tin or gold plating
- Supports 14-22 AWG
- Tactile and audible mating feedback
- Blind hole boss feature eliminates leak path and reduces extra sealing process during assembly

Reference Information

- Packaging: Tray
- UL File No.: E152602
- Designed in: Inches
- Mates with: 19418

Electrical

- Dielectric Withstanding Voltage: 2200V AC min
- Insulation Resistance: 1000 Megohms min.
- Voltage: 600v

Mechanical

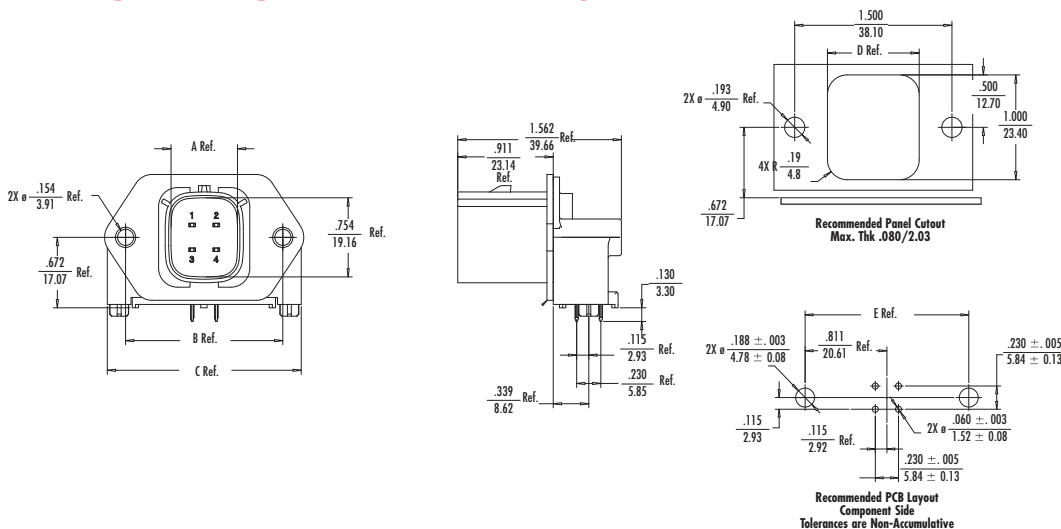
- Durability: Tin Plating—25 cycles
Gold Plating—100 cycles

Physical

- Housing: Glass-Filled PBT
- Contact: Copper Alloy
- Plating: Contact Area – Tin or Gold
Solder Tail Area – Tin
- PCB Thickness: 1.60mm (.062") max.
- Operating Temperature: -40 to +125°C



Catalog Drawing (For Reference only)



Ordering Information

Circuits	Order No.		Dimension				
	Tin	Select Gold/Tin	A	B	C	D	E
4	19427-0032	19427-0107	16.10 (.634)	38.10 (1.50)	46.99 (1.850)	22.23 (.875)	41.24 (1.624)
6	19427-0018	19427-0106	21.94 (.864)	41.92 (1.65)	50.81 (2.0)	28.07 (1.105)	45.06 (1.774)
8	19427-0017	19427-0105	27.74 (1.092)	48.26 (1.90)	57.15 (2.250)	33.88 (1.334)	51.41 (2.024)
10	19427-0031	19427-0104	33.62 (1.324)	54.61 (2.150)	63.50 (2.50)	39.75 (1.565)	57.75 (2.274)
12	19427-0012	19427-0103	39.46 (1.554)	60.96 (2.40)	69.85 (2.750)	45.59 (1.795)	64.1 (2.524)
16	19427-0049	19427-0102	51.14 (2.014)	73.67 (2.90)	82.55 (3.250)	57.28 (2.255)	76.8 (3.024)

Note: Recommended Mounting Hardware: (2) #10 x .62/18.9 long, plastic thread cutting screws
Suggested Source: ITW Shakeproof BosScrew™ or equivalent

Features and Specifications

Features and Benefits

Environmentally sealed to IP67
 Mates with existing MX150L receptacles
 Molded silicone panel gasket included
 Available in tin or gold plating
 Supports 14-22 AWG receptacle
 Tactile and audible mating feedback
 Blind hole boss feature eliminates
 leak path and reduces extra
 sealing process during assembly

Reference Information

Packaging: Tray
 UL File No.: E152602
 Designed in: Inches
 Mates with: 19418

Electrical

Dielectric Withstanding Voltage:
 2200V AC min
 Insulation Resistance:
 1000 Megohms min.
 Voltage: 600v

Mechanical

Durability:
 Tin Plating—25 cycles
 Gold Plating—100 cycles

Physical

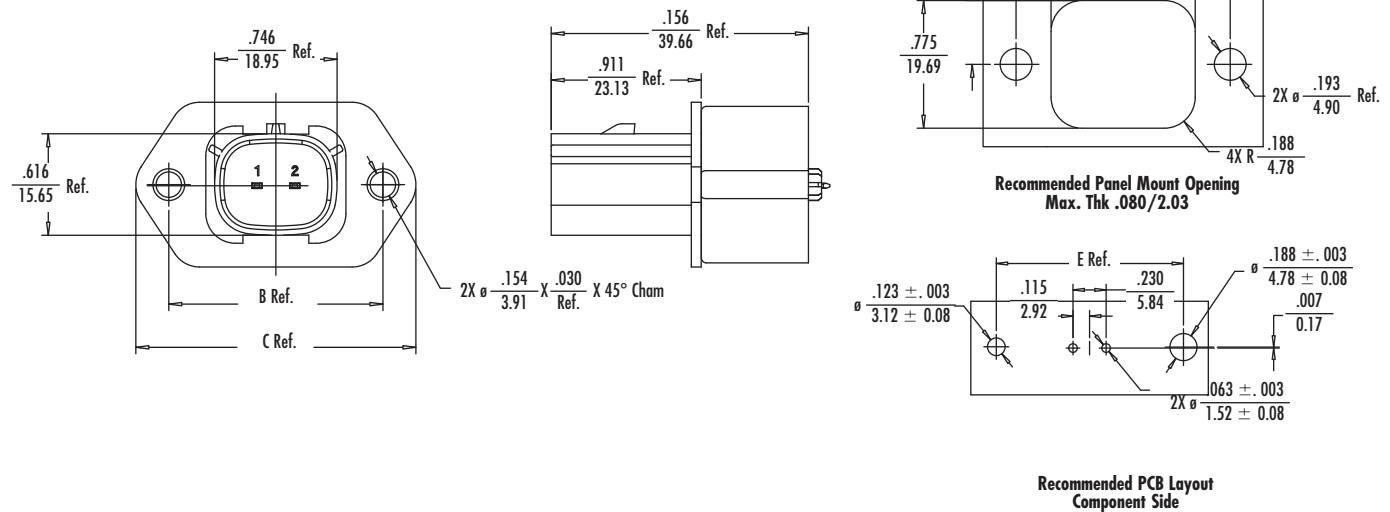
Housing: Glass-Filled PBT
 Contact: Copper Alloy
 Plating:
 Contact Area – Tin or Gold
 Solder Tail Area – Tin
 PCB Thickness: 1.60mm (.062") max.
 Operating Temperature:
 -40 to +125°C

5.84mm (.230") Pitch MX150L™ Industrial PCB Header

19428 Vertical Standard
 Profile Single Row



Catalog Drawing (For Reference only)



Ordering Information

Circuits	Order No.		Dimension			
	Tin	Select Gold/Tin	B	C	D	E
2	19428-0007	19428-0017	33.01 (1.300)	43.18 (1.70)	22.23 (.875)	33.02 (1.30)

Note: Recommended Mounting Hardware: (2) #10 x .62/18.9 long, plastic thread cutting screws
 Suggested Source: ITW Shakeproof BosScrew™ or equivalent

Features and Specifications

Features and Benefits

Environmentally sealed to IP67
Mates with existing MX150L receptacles
Molded silicone panel gasket included
Available in tin or gold plating
Supports 14-22 AWG receptacle
Tactile and audible mating feedback
Blind hole boss feature eliminates
leak path and reduces extra
sealing process during assembly

Reference Information

Packaging: Tray
UL File No.: E152602
Designed in: Inches
Mates with: 19418

Electrical

Contact Resistance: milliohms max.
Dielectric Withstanding Voltage:
2200V AC min
Insulation Resistance:
1000 Megohms min.
Voltage: 600v

Mechanical

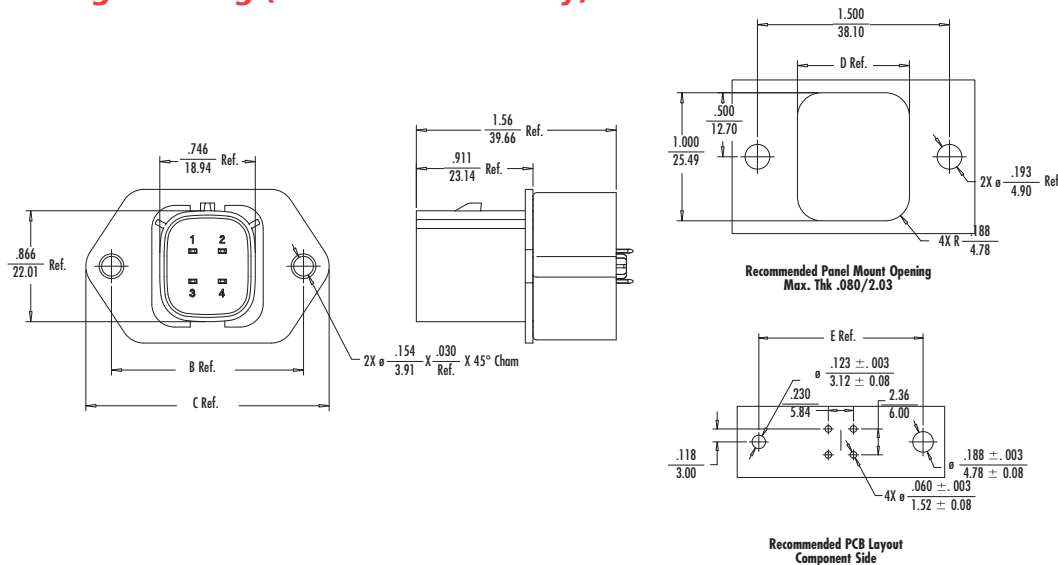
Durability:
Tin Plating—25 cycles
Gold Plating—100 cycles

Physical

Housing: Glass-Filled PBT
Contact: Copper Alloy
Plating:
Contact Area – Tin or Gold
Solder Tail Area – Tin
PCB Thickness: 1.60mm (.062") max.
Operating Temperature:
-40 to +125°C



Catalog Drawing (For Reference only)



Ordering Information

Circuits	Order No.		Dimension			
	Tin	Select Gold/Tin	B	C	D	E
4	19428-0006	19428-0019	38.10 (1.50)	48.26 (1.90)	22.23 (.875)	38.10 (1.50)
6	19428-0004	19428-0020	41.92 (1.65)	52.08 (2.050)	28.07 (1.105)	41.91 (1.65)
8	19428-0003	19428-0021	48.26 (1.90)	58.42 (2.30)	33.88 (1.334)	48.26 (1.90)
10	19428-0005	19428-0022	54.61 (2.150)	64.75 (2.54)	39.75 (1.565)	54.61 (2.15)
12	19428-0001	19428-0023	60.96 (2.40)	71.12 (2.80)	45.59 (1.795)	60.96 (2.40)
16	19428-0002	19428-0024	73.67 (2.90)	83.83 (3.30)	57.28 (2.255)	73.66 (2.90)

Note: Recommended Mounting Hardware: (2) #10 x .62/18.9 long, plastic thread cutting screws
Suggested Source: ITW Shakeproof BosScrew™ or equivalent

Features and Specifications

Features and Benefits

Environmentally sealed to IP67
 Mates with existing MX150L receptacles
 Molded silicone panel gasket included
 Available in tin or gold plating
 Supports 14-22 AWG
 Tactile and audible mating feedback

Reference Information

Packaging: Tray
 UL File No.: E152602
 Designed in: Inches
 Mates with: 19418

Electrical

Dielectric Withstanding Voltage:
 2200V AC min
 Insulation Resistance:
 1000 Megohms min.
 Voltage: 600V

Mechanical

Durability:
 Tin Plating—25 cycles
 Gold Plating—100 cycles

Physical

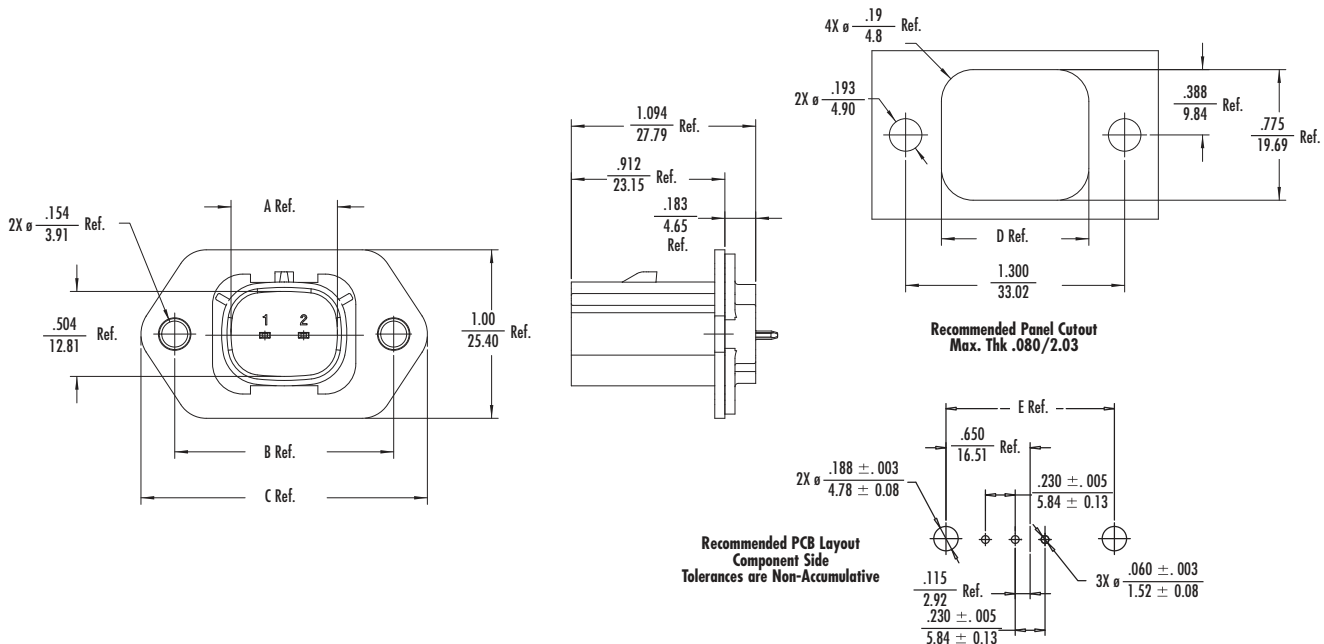
Housing: Glass-Filled PBT
 Contact: Copper Alloy
 Plating:
 Contact Area – Tin or Gold
 Solder Tail Area – Tin
 PCB Thickness: 1.60mm (.062") max.
 Operating Temperature:
 -40 to +125°C

5.84mm (.230") Pitch MX150L™ Industrial PCB Header

19428 Vertical Low Profile
Single Row



Catalog Drawing (For Reference only)



Ordering Information

Circuits	Order No.		Dimension				
	Tin	Select Gold/ Tin	A	B	C	D	E
2	19428-0009	19428-0025	16.10 (.634)	33.01 (1.300)	43.18 (1.70)	22.23 (.875)	33.02 (1.30)

Features and Specifications

Features and Benefits

Environmentally sealed to IP67
Mates with existing MX150L receptacles
Molded silicone panel gasket included
Available in tin or gold plating
Supports 14-22 AWG receptacle
Tactile and audible mating feedback

Reference Information

Packaging: Tray
UL File No.: E152602
Designed in: Inches
Mates with: 19418

Electrical

Dielectric Withstanding Voltage:
2200V AC min
Insulation Resistance:
1000 Megohms min.
Voltage: 600v

Mechanical

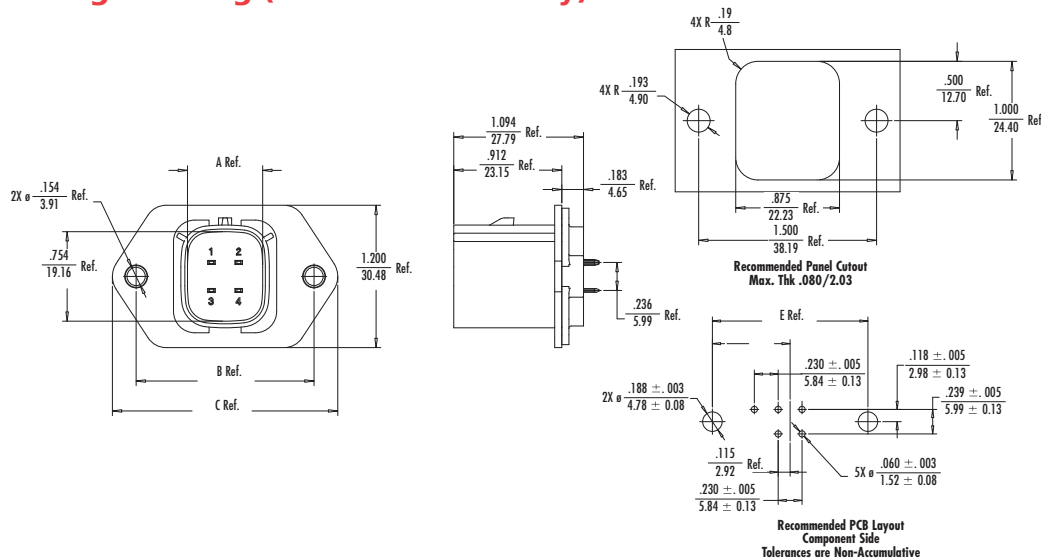
Durability:
Tin Plating—25 cycles
Gold Plating—100 cycles

Physical

Housing: Glass-Filled PBT
Contact: Copper Alloy
Plating:
Contact Area – Tin or Gold
Solder Tail Area – Tin
PCB Thickness: 1.60mm (.062") max.
Operating Temperature:
-40 to +125°C



Catalog Drawing (For Reference only)



Ordering Information

Circuits	Order No.		Dimension			
	Tin	Select Gold/Tin	A	B	C	E
4	19428-0011	19428-0027	16.10 (.634)	38.10 (1.50)	48.26 (1.90)	38.10 (1.50)
6	19428-0012	19428-0028	21.94 (.864)	41.92 (1.65)	52.08 (2.050)	41.91 (1.65)
8	19428-0013	19428-0029	27.74 (1.092)	48.26 (1.90)	58.42 (2.30)	48.26 (1.90)
10	19428-0014	19428-0030	33.62 (1.324)	54.61 (2.150)	64.75 (2.54)	54.61 (2.15)
12	19428-0015	19428-0031	39.46 (1.554)	60.96 (2.40)	71.12 (2.80)	60.96 (2.40)
16	19428-0016	19428-0032	53.99 (2.126)	73.67 (2.90)	83.83 (3.30)	73.66 (2.90)

Features and Specifications

With the application of optional circuit plugs, the MX150L system supports the ability to implement sealed blank cavities in both plug and receptacle housings. The circuit plugs occupy and fully seal the unused cavity and can be extracted and replaced with a standard male blade or female receptacle terminal. This feature provides the ability to plan for possible future circuit additions while maintaining the sealing integrity of the mated pair.

Reference Information

Use With: 19418, 19419 and 19435

Physical

Material:

SPS Glass-Filled Crystalline Polymer

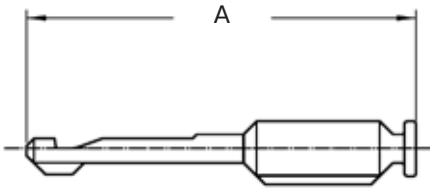
Operating Temperature:

-40 to +125°C

**5.84mm (.230")
Pitch MX150L™
Industrial Unused
Cavity Circuit Plug**

19417 14 to 22 AWG

Catalog Drawing (For Reference only)



Ordering Information

Order No.	Housing Series	Dimension A
19417-0119	19418	38.3 (1.51)
	19419	
19417-0263	19418*	33.97 (1.34)
	19435	

*For use with 19418 receptacles when mating to PCB headers or plugs with all contacts populated.

Specifications

Features and Benefits

Mat seal friendly design features
center seam and coined edges
High current
Low insertion force

Reference Information

UL File No.: E152602
Designed in: Inches
Use with: 19432

Electrical

Current:
10-12 AWG—30.0A
8 AWG—40.0A

Physical

Contact: Copper Alloy
Plating: Tin

Mechanical

Contact Insertion Force: 1lb
Durability: 25 cycles

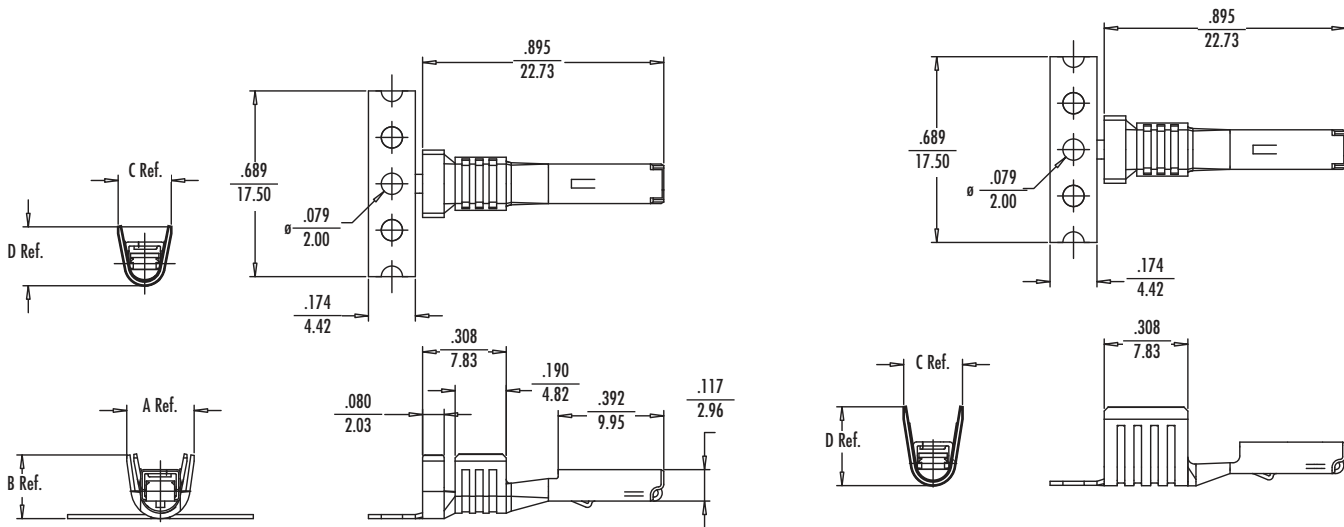


10-12 AWG



8 AWG

Catalog Drawing (For Reference only)



10-12 AWG

8 AWG

Ordering Information

Wire Range (AWG)	Insulation Diameter mm (In)	Order No.		Dimension			
		Loose	Strip	A	B	C	D
10-12	3.94-4.45 (.155-.175)	19434-0003	19434-0001	6.35 (.250)	6.00 (.236)	5.00 (.197)	5.60 (.220)
8	6.02 (.237)	19434-0004	19434-0002	n/a	n/a	6.10 (.240)	7.0 (.276)

Features and Specifications

Features and Benefits

Mat seal friendly design features
 center seam and coined edges
 High current
 Low insertion force
 Mates With: 19433 and 19436

Reference Information

UL File No.: E152602
 Designed in: Inches
 Use with: 19433 and 19436

Electrical

Current:
 10-12 AWG—30.0A
 8 AWG—40.0A

Physical

Contact: Copper Alloy
 Plating: Tin

Mechanical

Contact Insertion Force: 1lb
 Durability: 25 cycles

**7.62mm (.300")
 Pitch MX150L™
 Industrial Terminal
 19431 8, 10, 12 AWG Male**

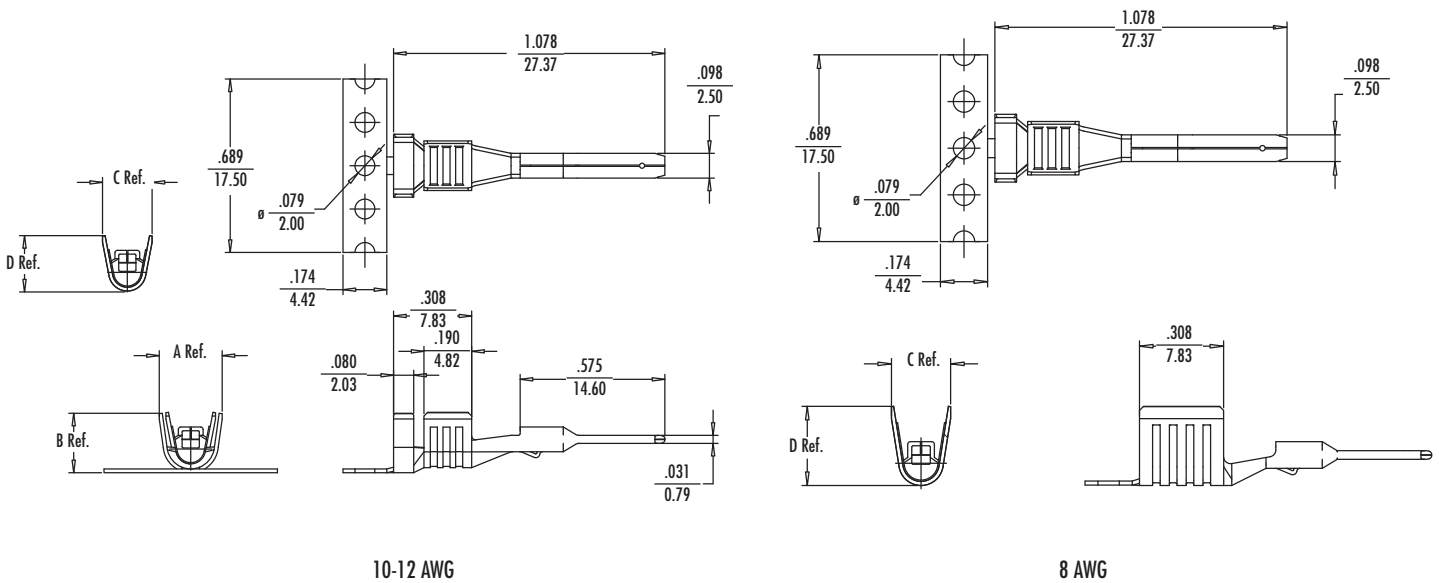


10-12 AWG



8 AWG

Catalog Drawing (For Reference only)



Ordering Information

Wire Range (AWG)	Insulation Diameter mm (In)	Order No.		Dimension			
		Loose	Strip	A	B	C	D
10-12	3.94-4.45 (.155-.175)	19431-0016	19431-0001	6.35 (.250)	6.00 (.236)	5.00 (.197)	5.60 (.220)
8	6.02 (.237)	19431-0017	19431-0015	n/a	n/a	6.10 (.240)	7.0 (.276)

Features and Specifications

Features and Benefits

- Environmentally sealed to IP67
- Integrated mat wire seal and terminal position assurance
- High current
- Field serviceable contact removal system
- Simple crimp-and-poke application
- Tactile and audible mating feedback
- CPA connector position assurance included

Reference Information

- UL File No.: E152602
- Designed in: Inches
- Mates with: 19433 and 19436
- Use with: 19434

Electrical

- Dielectric Withstanding Voltage: 2200V AC min
- Insulation Resistance: 1000 Megohms min.
- Voltage: 600V

Mechanical

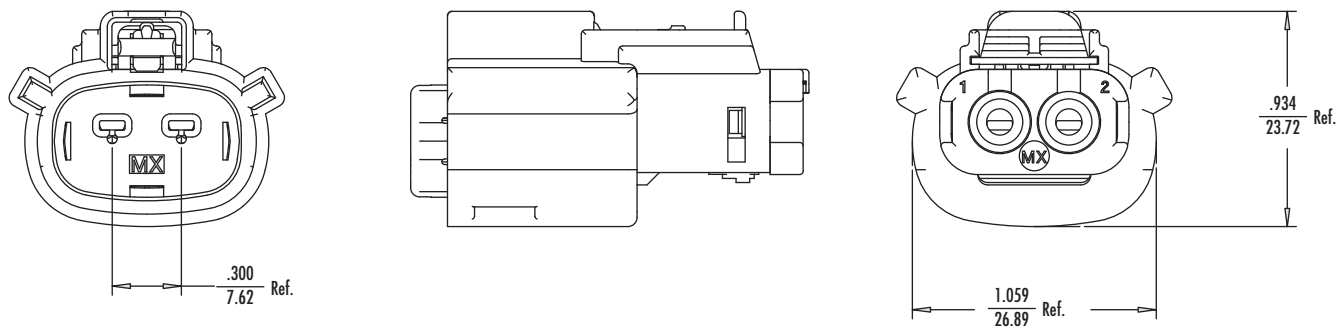
- Mating Force: 75N max
- Unmating Force: 75N max

Physical

- Housing: Glass-Filled PBT
- Operating Temperature: -40 to +125°C



Catalog Drawing (For Reference only)



Ordering Information

Circuits	Wire Range (AWG)	Mat Seal Color	Order No. with CPA	Order No. without CPA
2	10-12	Yellow	19432-0013	19432-0015
	8	Red	19432-0014	19432-0020

Features and Specifications

Features and Benefits

Environmentally sealed to IP67
 Integrated mat wire seal and terminal position assurance
 High current
 Field serviceable contact removal system
 Simple crimp-and-poke application
 Tactile and audible mating feedback
 Mates With: 19433 and 19436

Reference Information

UL File No.: E152602
 Designed in: Inches
 Mates with: 19432
 Use with: 19431

Electrical

Dielectric Withstanding Voltage: 2200V AC min
 Insulation Resistance: 1000 Megohms min.
 Voltage: 600V

Mechanical

Mating Force: 75N max
 Unmating Force: 75N max

Physical

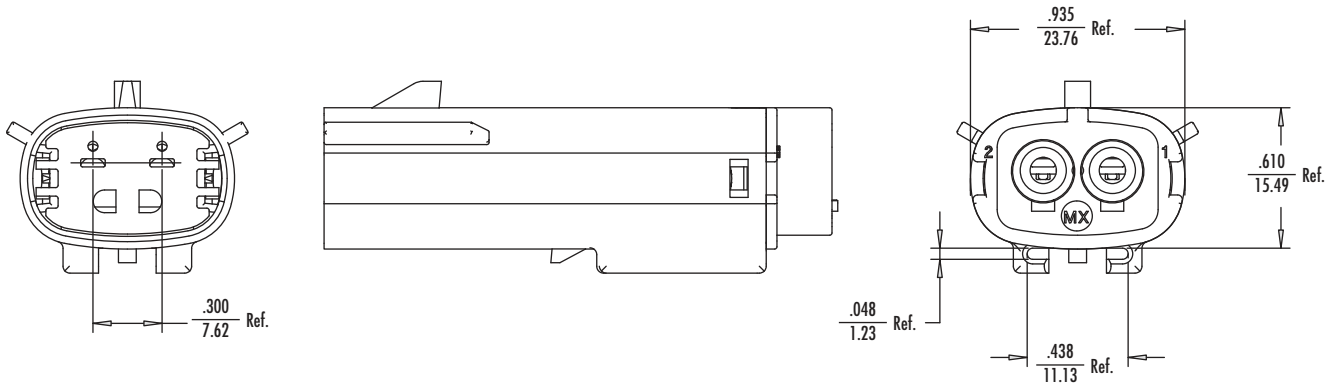
Housing: Glass-Filled PBT
 Operating Temperature: -40 to +125°C

7.62mm (.300") Pitch MX150L™ Industrial Plug

19433 8,10,12 AWG
 Single Row



Catalog Drawing (For Reference only)



Ordering Information

Circuits	Wire Range (AWG)	Mat Seal Color	Order No.
2	10-12	Yellow	19433-0013
	8	Red	19433-0014

Features and Specifications

Features and Benefits

- Environmentally sealed to IP67
- Integrated mat wire seal and terminal position assurance
- High current
- Field serviceable contact removal system
- Simple crimp-and-poke application
- Tactile and audible mating feedback

Reference Information

- UL File No.: E152602
- Designed in: Inches
- Mates with: 19433 and 19436
- Use with: 19434

Electrical

- Dielectric Withstanding Voltage: 2200V AC min
- Insulation Resistance: 1000 Megohms min.
- Voltage: 600V

Mechanical

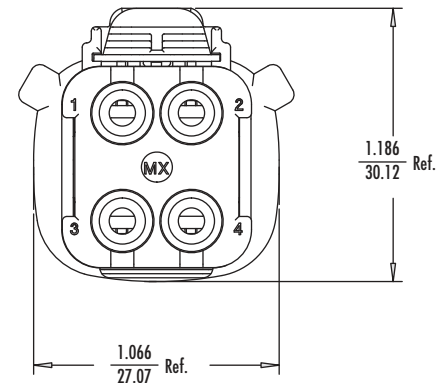
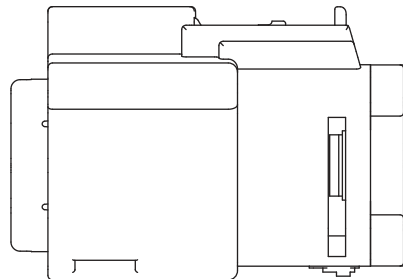
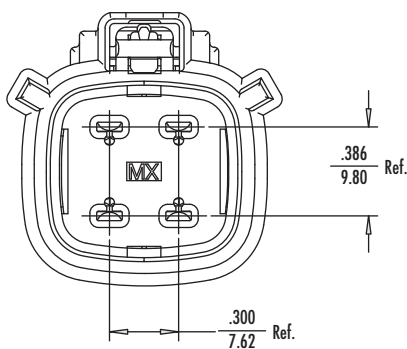
- Mating Force: 75N max
- Unmating Force: 75N max

Physical

- Housing: Glass-Filled PBT
- Operating Temperature: -40 to +125°C



Catalog Drawing (For Reference only)



Ordering Information

Circuits	Wire Range (AWG)	Mat Seal Color	Order No. with CPA	Order No. without CPA
4	10-12	Yellow	19432-0001	194320003
	8	Red	19432-0002	194320004

Features and Specifications

Features and Benefits

Environmentally sealed to IP67
 Integrated mat wire seal and terminal position assurance
 High current
 Field serviceable contact removal system
 Simple crimp-and-poke application
 Tactile and audible mating feedback
 Mates With: 19432

Reference Information

UL File No.: E152602
 Designed in: Inches
 Mates with: 19432
 Use with: 19431

Electrical

Dielectric Withstanding Voltage:
 2200V AC min
 Insulation Resistance:
 1000 Megohms min.
 Voltage: 600V

Mechanical

Mating Force: 75N max
 Unmating Force: 75N max

Physical

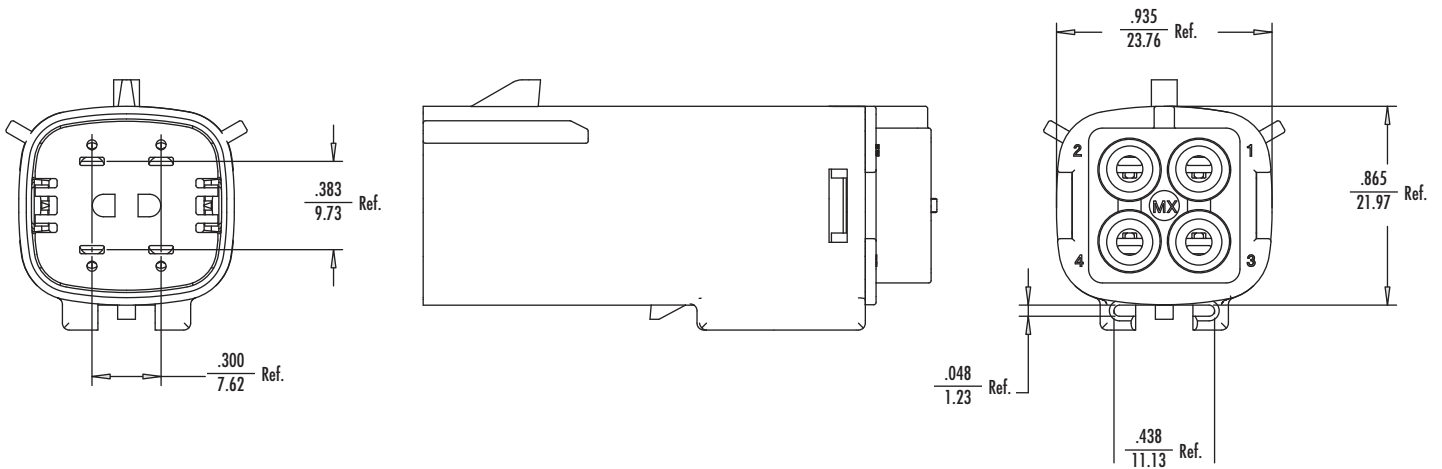
Housing: Glass-Filled PBT
 Operating Temperature:
 -40 to +125°C

7.62mm (.300") Pitch MX150L™ Industrial Plug

19433 8, 10, 12 AWG
 Dual Row



Catalog Drawing (For Reference only)



Ordering Information

Circuits	Wire Range (AWG)	Mat Seal Color	Order No.
4	10-12	Yellow	19433-0001
	8	Red	19433-0002

7.62mm (.300") Pitch MX150L™ Industrial Sealed Panel Mount Plug

19436 Rear Mount Flange
Single Row

Features and Specifications

Features and Benefits

Environmentally sealed to IP67
Mates with existing MX150L receptacles
Supports non-closed in panels
Field serviceable contact
removal system
Tactile and audible mating feedback
Blind hole boss feature eliminates
leak path and reduces extra
sealing process during assembly
Mates With: 19432

Reference Information

UL File No.: E152602
Designed in: Inches
Mates with: 19432
Use with: 19431

Electrical

Dielectric Withstanding Voltage:
2200V AC min
Insulation Resistance:
1000 Megohms min.
Voltage: 600v

Mechanical

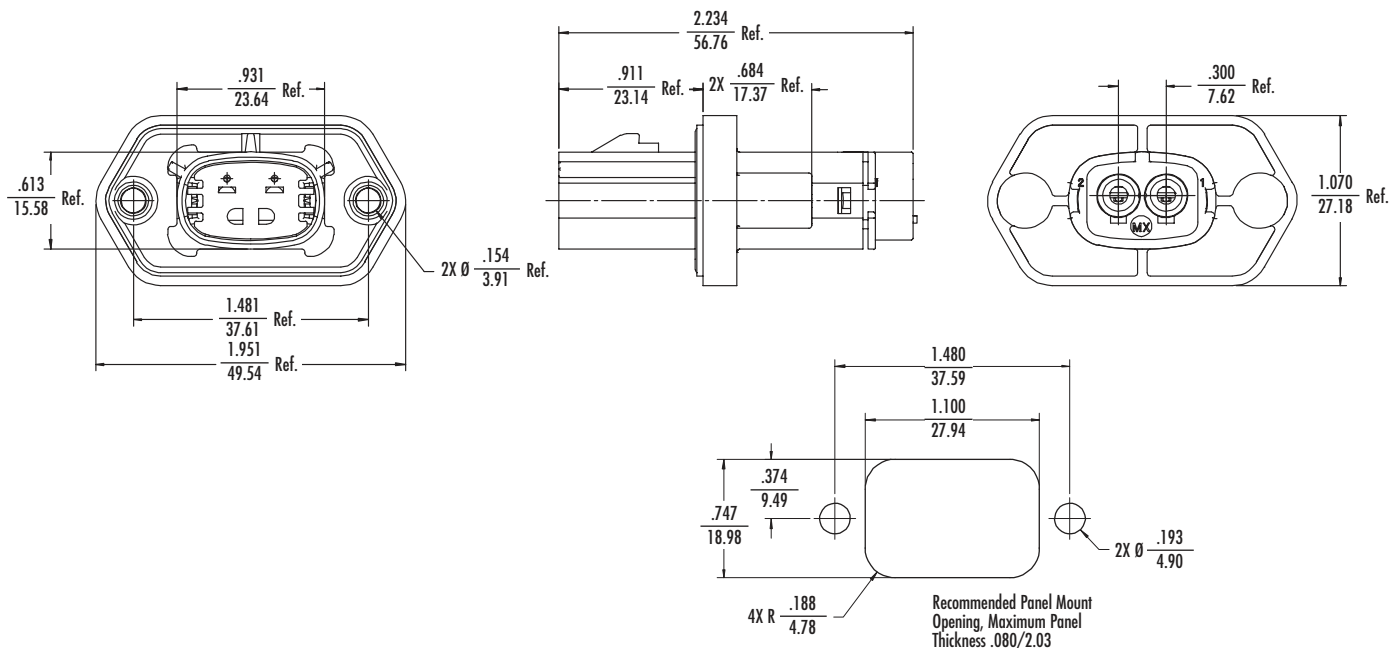
Mating Force: 75N max
Unmating Force: 75N max

Physical

Housing: Glass-Filled PBT
Operating Temperature:
-40 to +125°C



Catalog Drawing (For Reference only)



Ordering Information

Circuits	Wire Range (AWG)	Order No.		
		With Gasket	Without Gasket	Gasket
2	10-12	19436-0213	19436-0211	19436-0001
	8	19436-0214	19436-0212	

Note: Recommended Mounting Hardware: (2) #10 x .62/18.9 long, plastic thread cutting screws
Suggested Source: ITW Shakeproof BosScrew™ or equivalent

Features and Specifications

Features and Benefits

Environmentally sealed to IP67
 Mates with existing MX150L receptacles
 Supports non-closed in panels
 Field serviceable contact removal system
 Tactile and audible mating feedback
 Blind hole boss feature eliminates leak path and reduces extra sealing process during assembly

Reference Information

UL File No.: E152602
 Designed in: Inches
 Mates with: 19432
 Use with: 19431

Electrical

Dielectric Withstanding Voltage: 2200V AC min
 Insulation Resistance: 1000 Megohms min.
 Voltage: 600v

Mechanical

Mating Force: 75N max
 Unmating Force: 75N max

Physical

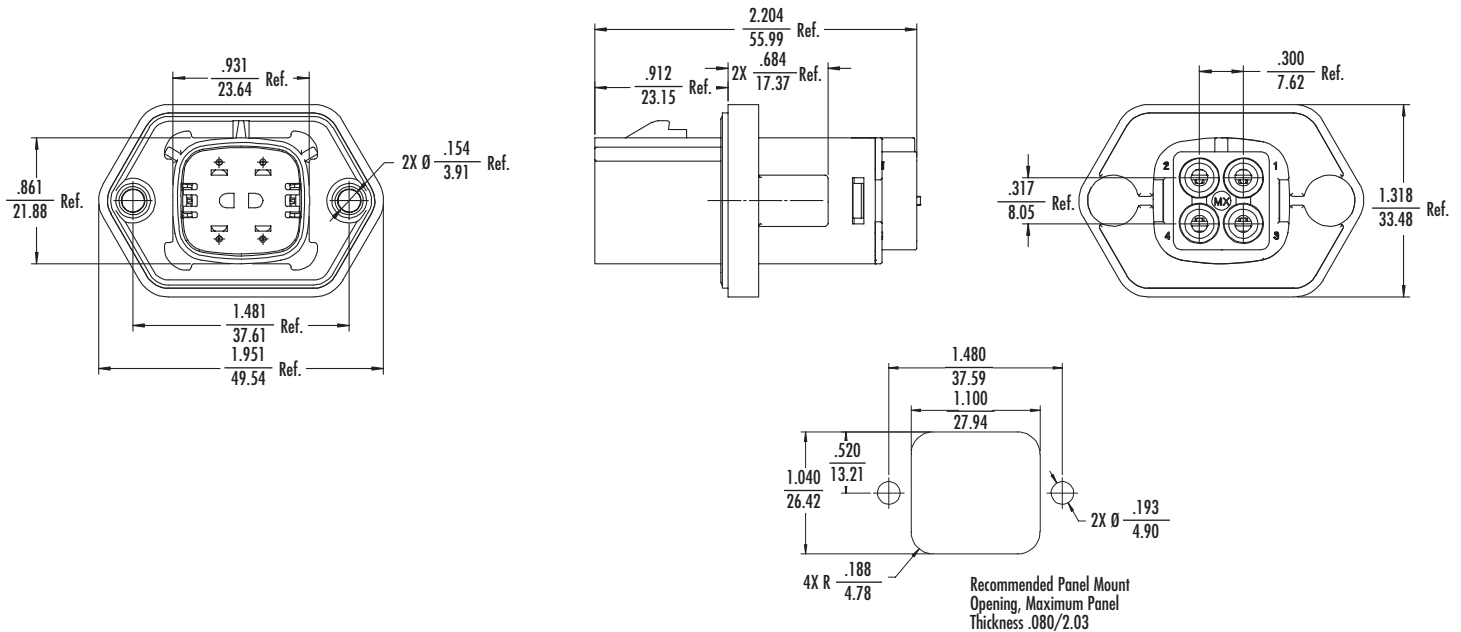
Housing: Glass-Filled PBT
 Operating Temperature: -40 to +125°C

7.62mm (.300") Pitch MX150L™ Industrial Sealed Panel Mount Plug

19436 Rear Mount Flange Dual Row



Catalog Drawing (For Reference only)



Ordering Information

Circuits	Wire Range (AWG)	Order No.		
		Without Gasket	With Gasket	Gasket
4	10-12	19436-0413	19436-0411	19436-0002
	8	19436-0414	19436-0412	

Note: Recommended Mounting Hardware: (2) #10 x .62/18.9 long, plastic thread cutting screws
 Suggested Source: ITW Shakeproof BosScrew™ or equivalent

Product

19437 Right Angle Header with Panel Gasket Dual Row

Features and Specifications

Features and Benefits

- Environmentally sealed to IP67
- Mates with existing MX150L receptacles
- Molded silicone panel gasket included
- Available in tin or gold plating
- Supports 8-12 AWG receptacle
- Tactile and audible mating feedback
- Blind hole boss feature eliminates leak path and reduces extra sealing process during assembly

Mechanical

- Mating Force: 75N max.
- Unmating Force: 75N max.
- Sealing: IEC 529 — IP67 standard
- Durability: 100 cycles

Electrical

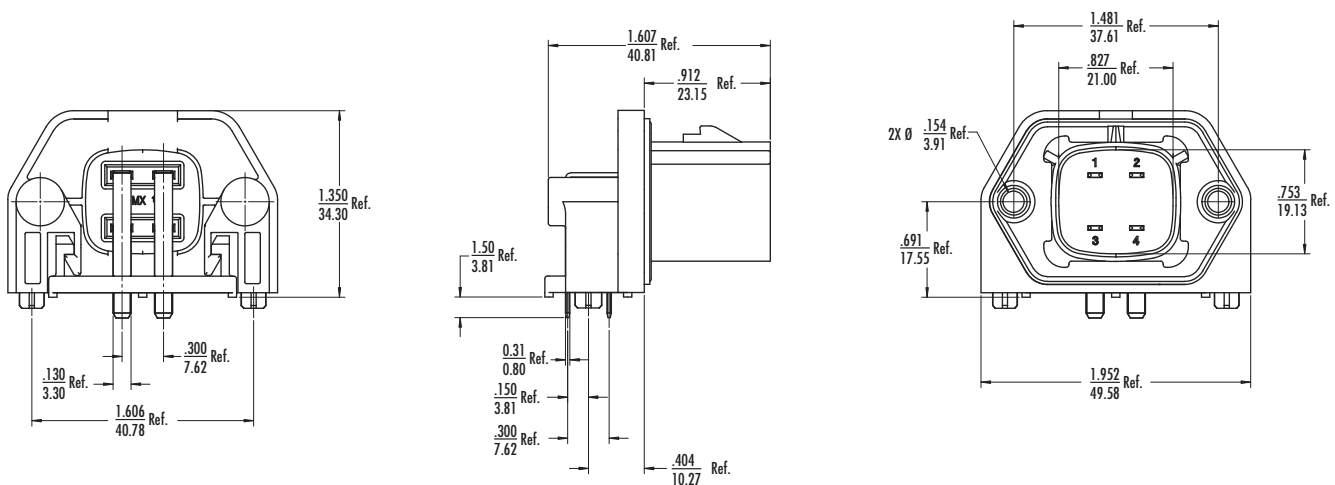
- Voltage: 600V AC
- Current:
 - 8 AWG — 40.0A
 - 10 to 12 AWG — 30.0A
- Dielectric Withstanding Voltage: 2200V AC min.
- Insulation Resistance: 1000 Megohms

Physical

- Housing: Glass-filled PBT, Black
- Contact: Copper (Cu) Alloy
- Plating: Tin (Sn)
- Operating Temperature: -40 to +125°C
- Flammability: UL 94V-0



Catalog Drawing (For Reference only)



Ordering Information

PCB Header

Order No.	Circuits	Wire Range (AWG)	Panel Gasket
19437-0029	4	8, 10 and 12	Yes

Features and Specifications

With the application of optional circuit plugs, the MX150L system supports the ability to implement sealed blank cavities in both plug and receptacle housings. The circuit plugs occupy and fully seal the unused cavity and can be extracted and replaced with a standard male blade or female receptacle terminal. This feature provides the ability to plan for possible future circuit additions while maintaining the sealing integrity of the mated pair.

Reference Information

Use With: 19433 and 19432

Physical

Material: Glass-Filled PBT

Operating Temperature:

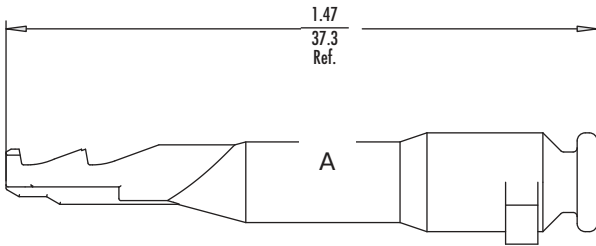
-40 to +125°C

**7.62mm (.300")
Pitch MX150L™
Industrial
Unused Cavity
Circuit Plug**

19431 8, 10, 12 AWG



Catalog Drawing (For Reference only)



Ordering Information

Housing Series	Order No.
19433	19431-0013
19432	19431-0013

Features and Specifications

FINEADJUST

Features and Benefits

FineAdjust allows users to achieve target with little effort by adjusting on increments of 0.15mm (.0006") for conductor crimp height and .063mm (.0025") for insulation height

Independent adjustment rings allow users to quickly adjust the conductor or insulation crimp height without affecting each other

Quick tooling removal with the push of a button for fast and easy tooling change

Track adjustment for bellmouth and cut-off tab is adjusted while the

applicator is in the press for fast and easy setup

Compatible with the Molex TM-2000™ Universal Press and most industry standard presses, however, it does not fit into Molex TM-40™/TM-42™ press

Directly adapts to most automatic wire processing machines

Quick set-up time; plus the crimp height, track and feed adjustments can be preset in applicator

Applicator designed to industry standard mounting and shut height 135.80mm (5.346")

FineAdjust available for most Molex brand terminals

Semi-Automatic Bench Top Crimp Press Tooling

FineAdjust™ Applicator
Manual Hand Crimp Tool



MANUAL HAND CRIMP TOOL

Features and Benefits

Ergonomically designed soft handles

Precisely designed crimping profiles with simple contact positioning

Easy handling due to outstanding force ratio

This tool type reduces work related injuries

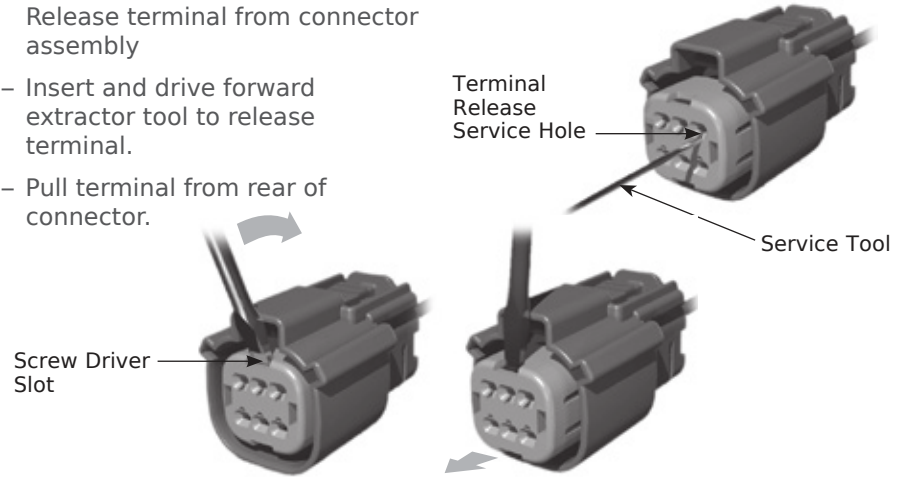


Ordering Information

Terminal Series No.	Terminal Type	Tool Type	Order No.	Wire Gauge AWG (mm)
19417/19420	MX150L™ Male and Female	FineAdjust Applicator	63900-8200	14-16 (2.00-1.30)
19417/19420	MX150L Male and Female	Perishable Tool Kit	63865-6070	14-16 (2.00-1.30)
19417/19420	MX150L Male and Female	T2 Terminator Die	63910-8200	14-16 (2.00-1.30)
19417	MX150L Male	FineAdjust Applicator	63900-8300	18-22 (0.80-0.35)
19417	MX150L Male	Perishable Tool Kit	63865-6170	18-22 (0.80-0.35)
19417	MX150L Male	T2 Terminator Die	63910-8300	18-22 (0.80-0.35)
19420	MX150L Female	FineAdjust Applicator	63900-8400	18-22 (0.80-0.35)
19420	MX150L Female	Perishable Tool Kit	63865-6270	18-22 (0.80-0.35)
19420	MX150L Female	T2 Terminator Die	63910-8400	18-22 (0.80-0.35)
19417/19420	MX150L Male and Female	OEM PremiumGrade™ Hand Tool	63811-4400	14-22 (2.00-0.35)
19417/19420	MX150L Male and Female	ServiceGrade™ Hand Tool	64016-0035	14-22 (2.00-0.35)
19434/19417/19420/19431	MX150L Male and Female	Terminal Extraction Tool	63813-1500	8-22 (.237-0.35)
19431/19434	MX150L Male and Female	FineAdjust Applicator	63895-8200	10-12 (3.94-4.45)
19431/19434	MX150L Male and Female	Perishable Tool Kit	63832-5070	10-12 (3.94-4.45)
19431/19434	MX150L Male and Female	OEM PremiumGrade Hand Tool	63811-5300	10-12 (3.94-4.45)
19431/19434	MX150L Male and Female	FineAdjust Applicator	63832-5100	8 (.237)
19431/19434	MX150L Male and Female	Perishable Tool Kit	63832-5170	8 (.237)
19431/19434	MX150L Male and Female	OEM PremiumGrade Hand Tool	63811-5400	8 (.237)
19431/19434	MX150L Male and Female	ServiceGrade Hand Tool	64016-0170	10-12 (3.94-4.45)
19431/19434	MX150L Male and Female	ServiceGrade Hand Tool	64016-0170	8 (.237)

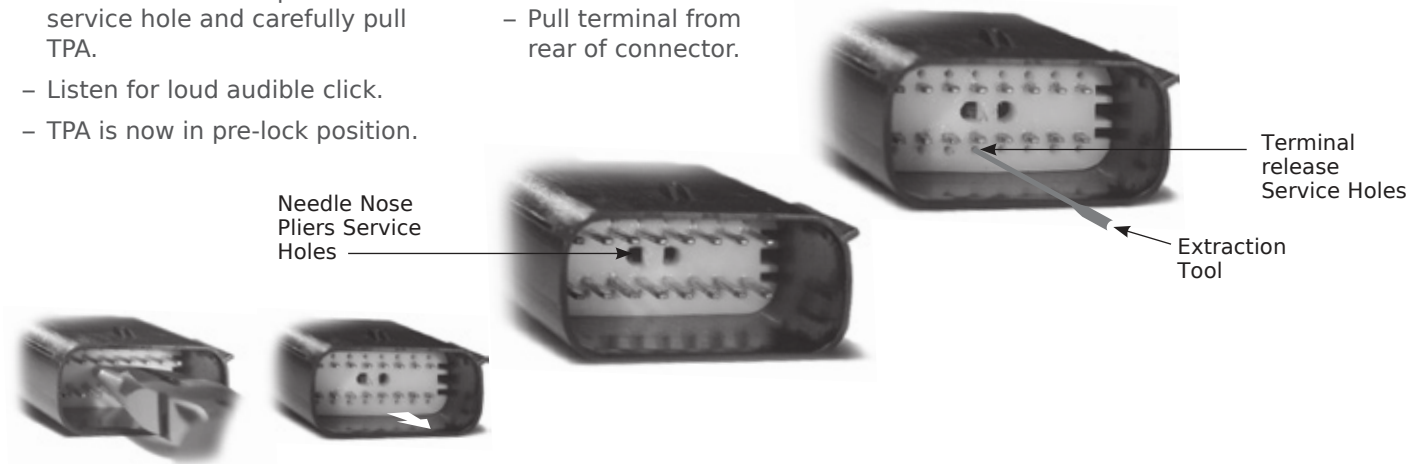
Sealed Receptacle Assembly - Servicability

- 1) Return TPA to pre-lock position
 - Carefully insert a standard screw driver into slot on top of TPA.
 - Carefully pry TPA forward and listen for audible click.
 - TPA is now in pre-lock position.
- 2) Release terminal from connector assembly
 - Insert and drive forward extractor tool to release terminal.
 - Pull terminal from rear of connector.



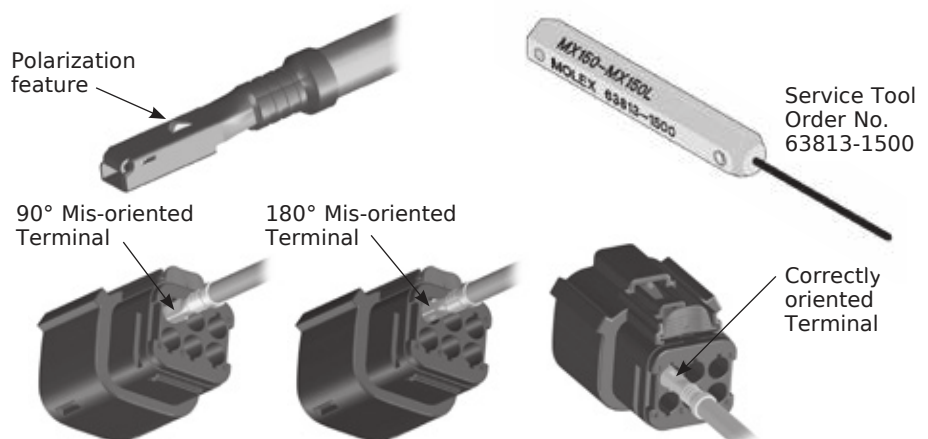
Sealed Blade Assembly - Servicability

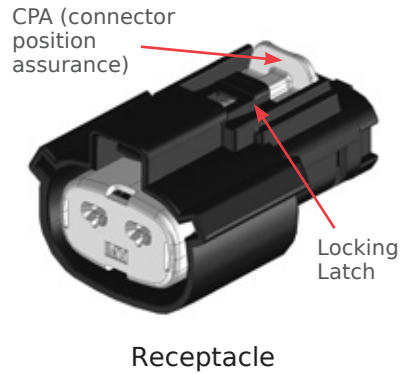
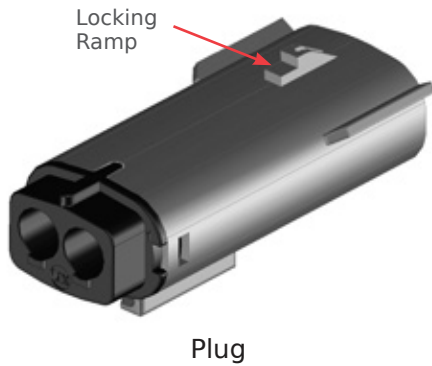
- 1) Return TPA to pre-lock position
 - Use standard needle nose pliers to return TPA to pre-lock position.
 - Insert needle nose pliers into service hole and carefully pull TPA.
 - Listen for loud audible click.
 - TPA is now in pre-lock position.
- 2) Release terminal from connector assembly
 - Insert and drive forward extractor tool to release terminal.
 - Pull terminal from rear of connector.



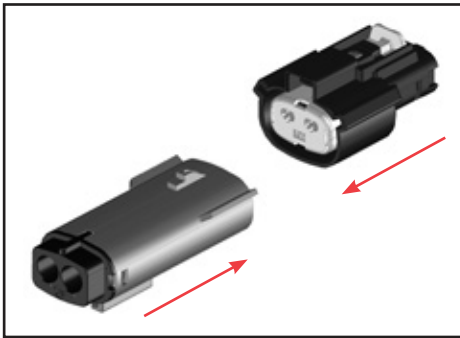
Terminal Installation

Assure housing TPA is in pre-lock position. Align polarization feature on terminal with keyway in seal cap. Insert terminal and push until seated. Push receptacle TPA back to locked position. Plug TPA will return to locked position when mated with receptacle housing.

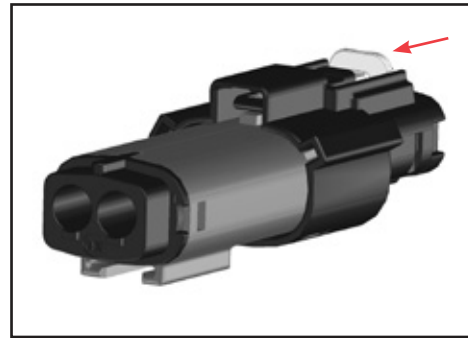




To Mate:

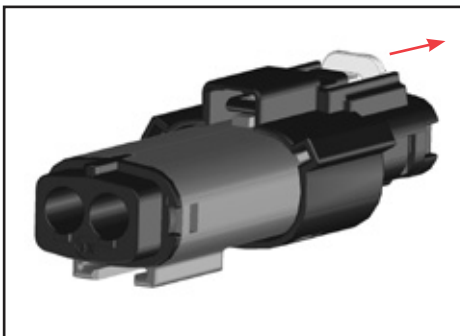


1. Firmly push connectors together until you feel them snap together, you should hear a click. This audible and tactile confirmation ensures the connectors are properly and fully mated.

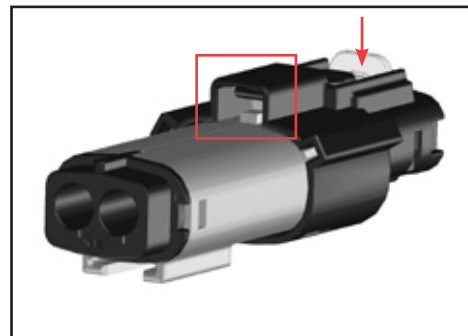


2. Press CPA towards plug to engage the secondary lock.

To Unmate:

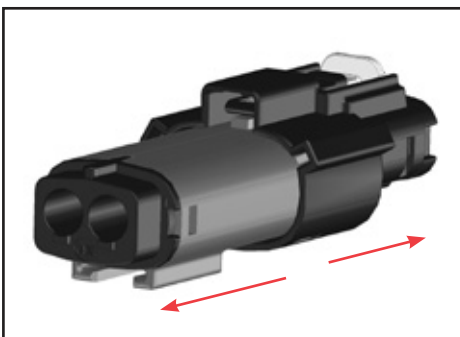


1. Pull back CPA

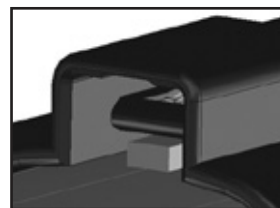


2. Fully depress locking latch

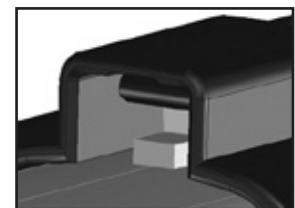
Locking latch must be fully depressed to release the locking ramp on the plug and allow the connectors to be separated!



3. Pull connectors apart



Locking latch shown down, cannot unmate connectors



Locking latch shown fully depressed, latch releases locking ramp

Get more insights at: molex.com/product/mx150industrial.html