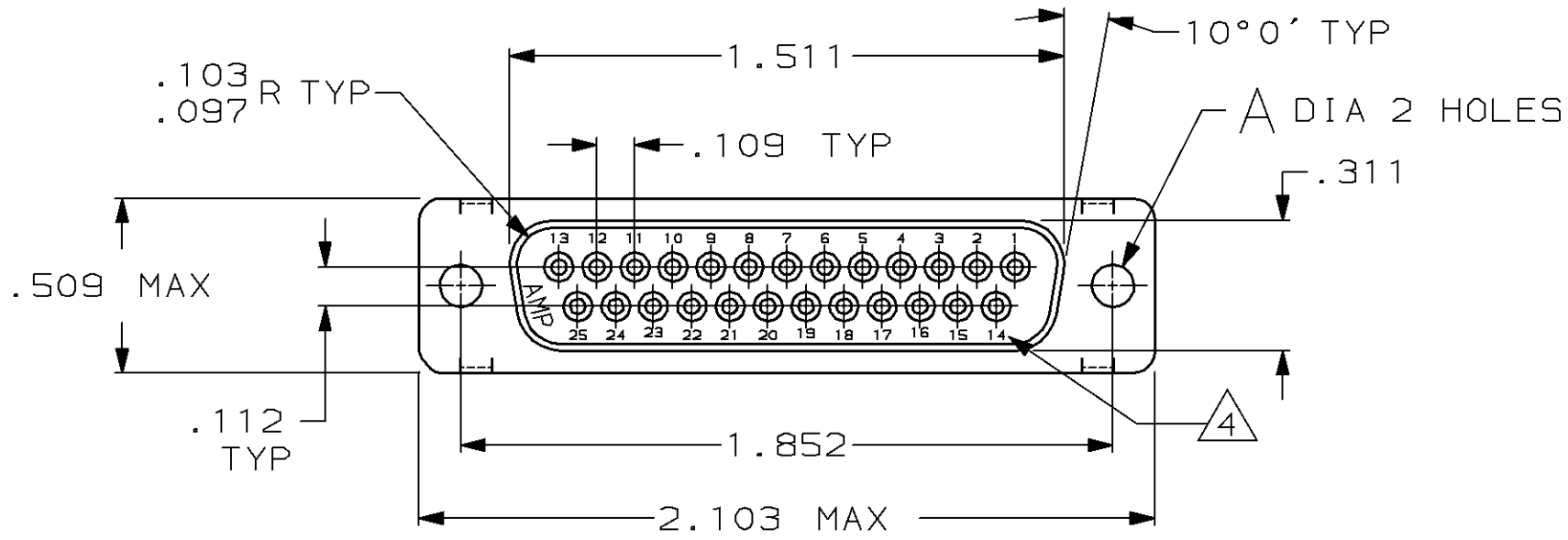
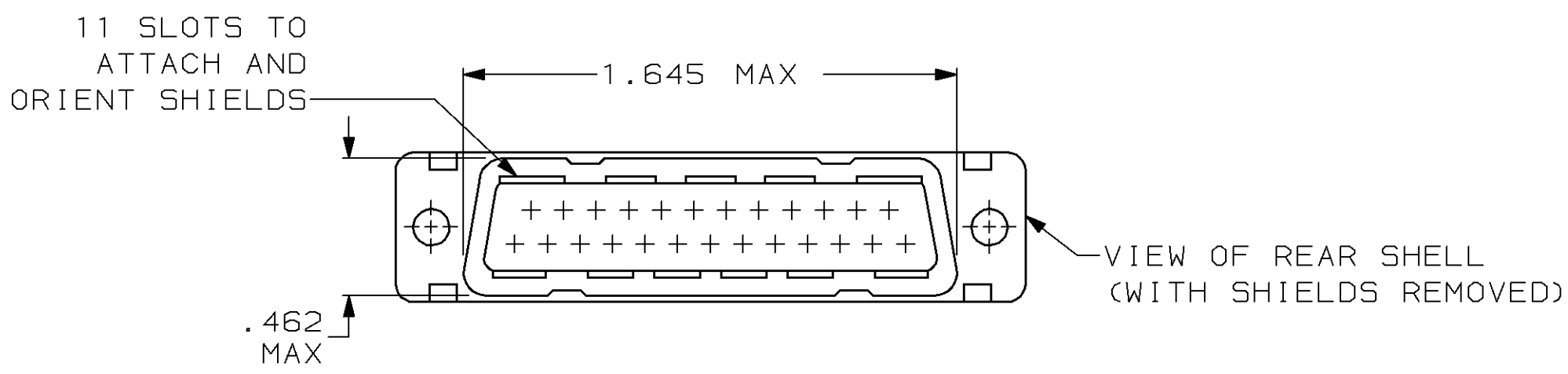
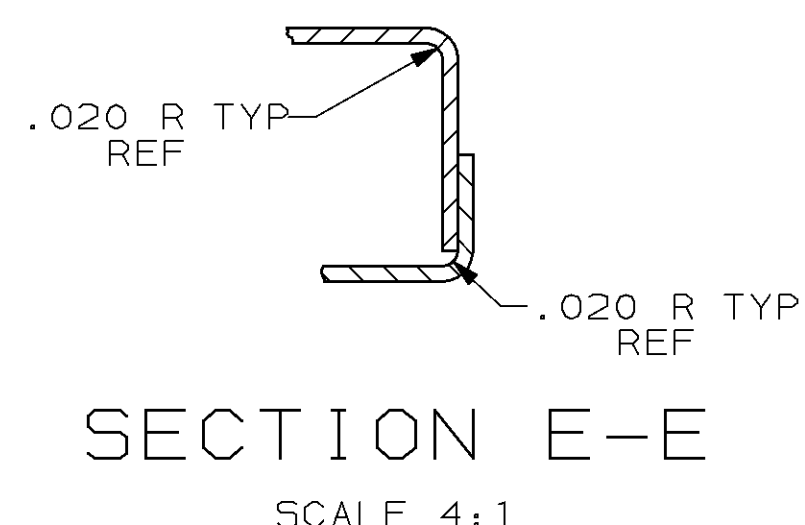
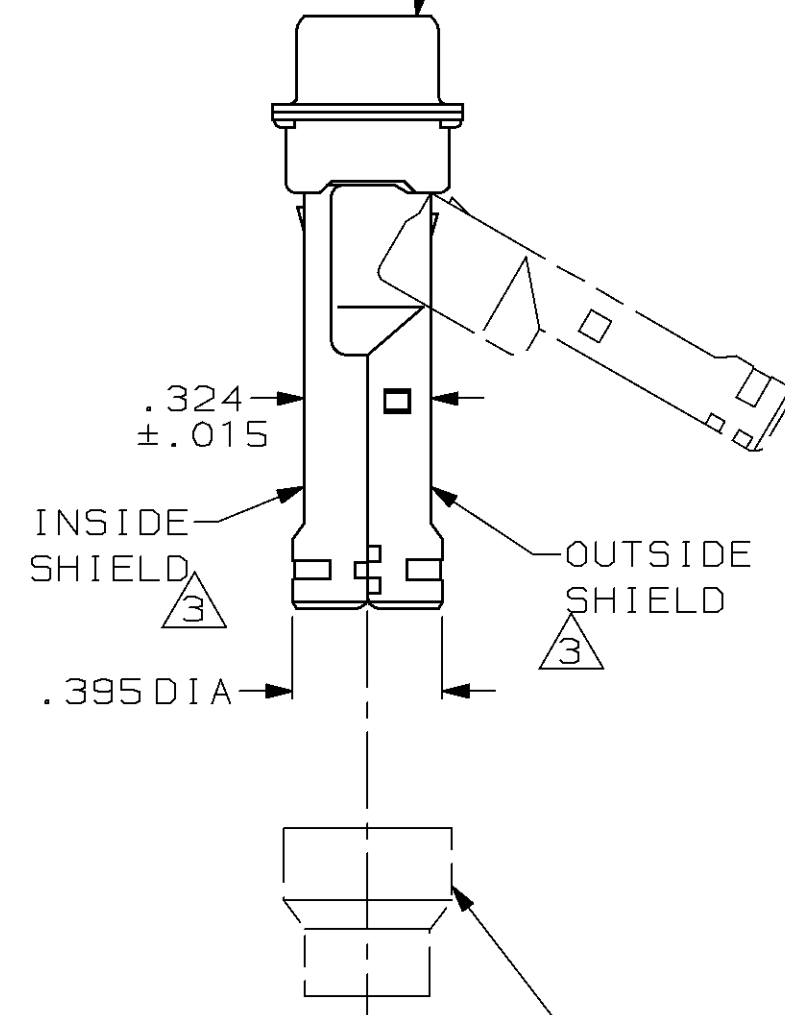
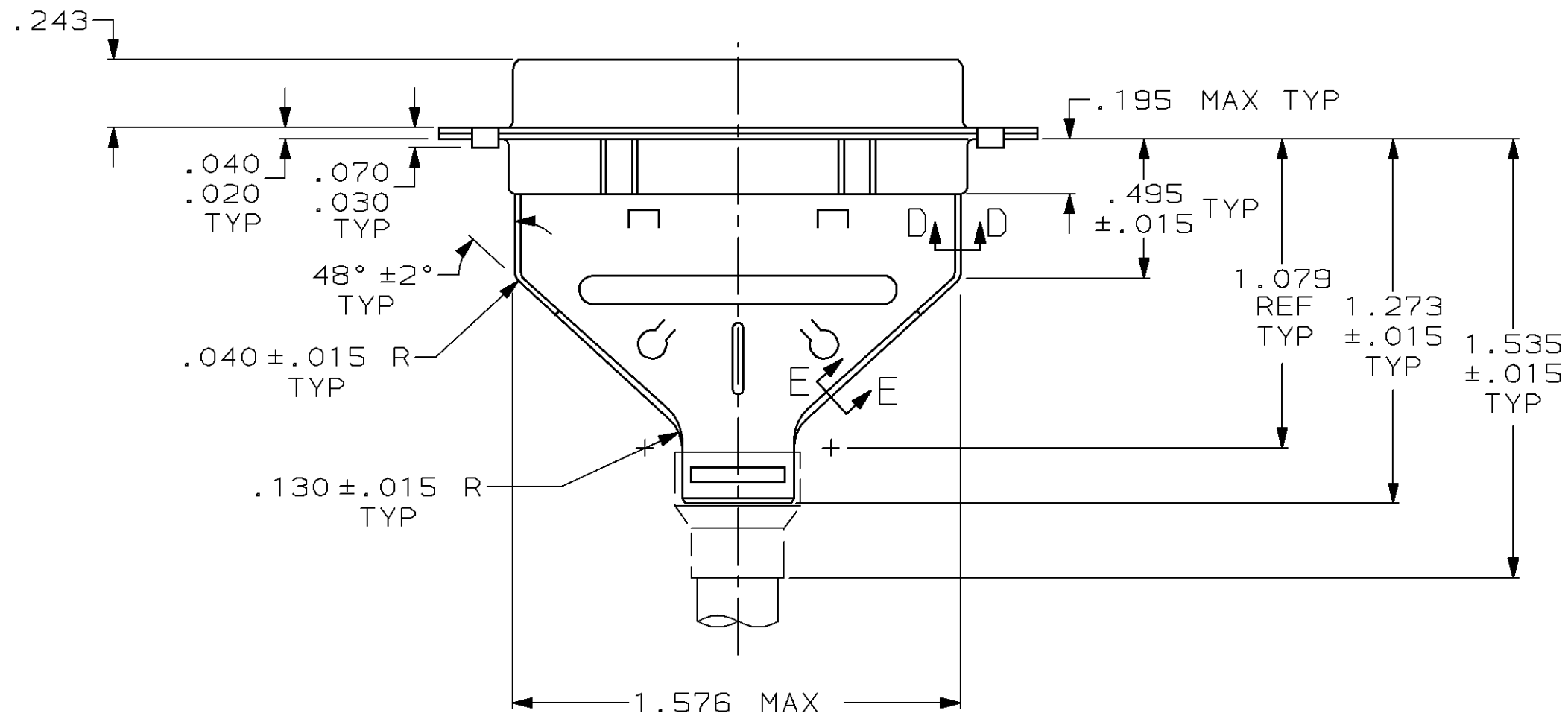
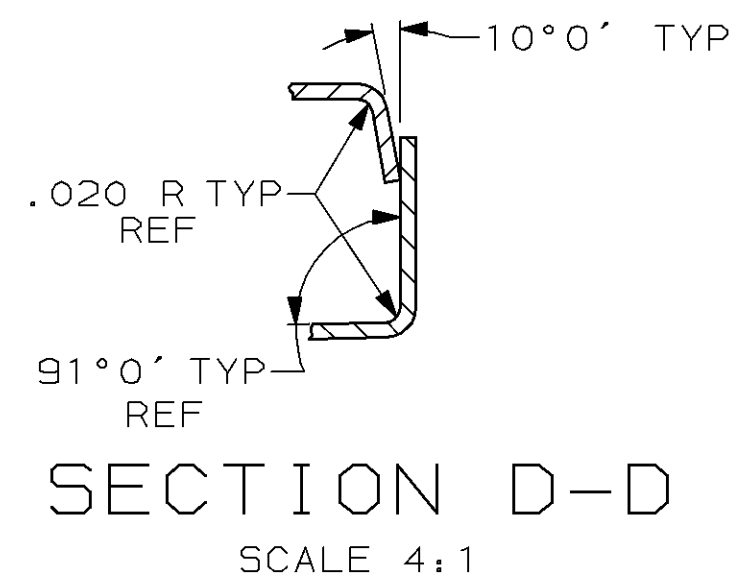


THIS DRAWING IS UNPUBLISHED. RELEASED FOR PUBLICATION  
 © COPYRIGHT 19 BY AMP INCORPORATED. ALL INTERNATIONAL RIGHTS RESERVED.

LOC	DIST	P	F	REVISIONS				
				ZONE	LTR	DESCRIPTION	DATE	APPD
BD	48				B	REDRAWN	5/30/90	-
					C	REV PER ECN BD4493	12/17/90	-
					D	ADDED -2 PER NPR 4125, WAS 92-5788-10-1	04/20/92	TS
					E	ADDED -3 PER NPR 4258	07/09/92	SB
					F	OBS -3 PER EC 0420-143-96	07 NOV 97	SB



RCPT CONNECTOR  
 INSERTS: BLACK GLASS-FILLED NYLON, 94V-0 RATED.  
 SHELLS: STEEL PER ASTM A109, BRIGHT TIN PLATED PER MIL-T-10727.



OBSOLETE		△5
	.150/.160	747555-2
	.115/.125	747555-1
A		PART NUMBER

- △1 RCPT ACCEPTS SIZE 20 SOCKET CONTACTS (CONTACTS MUST BE ORDERED SEPARATELY).
- 2. ALL PARTS SHIPPED UNASSEMBLED, EACH PART INDIVIDUALLY BULK PACKED.
- △3 SHIELDS: MATERIAL-.020 THICK STEEL, TIN PLATED PER MIL-T-10727.
- △4 RAISED CAVITY IDENTIFICATION AND AMP TRADEMARK.
- △5 SEE RESTRICTED CUSTOMER DRAWING 747555-3.

DO NOT SCALE PRINT. UNLESS SPECIFIED DIMENSIONS IN INCHES TOLERANCES ON: 2 PLC DEC ± - 3 PLC DEC ± .005 ANGLES ± 0°30'	DR 5/30/90 A.STAUB BG CHK 8-31-90 J.McCLINTON APPD 9-4-90 BOB TAYLOR APPD 9-4-90 J.ASSINI PRODUCT SPEC -	AMP INCORPORATED Harrisburg, Pa. 17105	
MATERIAL SEE CALL OUT △3	NAME KIT, RCPT, SHIELDING HARDWARE, SIZE 3, 25 POSN, HDP-20, AMPLIMITE™	SIZE C	FSCM NO 00779
FINISH SEE CALL OUT △3	APPLICATION SPEC -	DRAWING NO 747555	
	WEIGHT -	SCALE 4:1	SHEET 1 OF 1