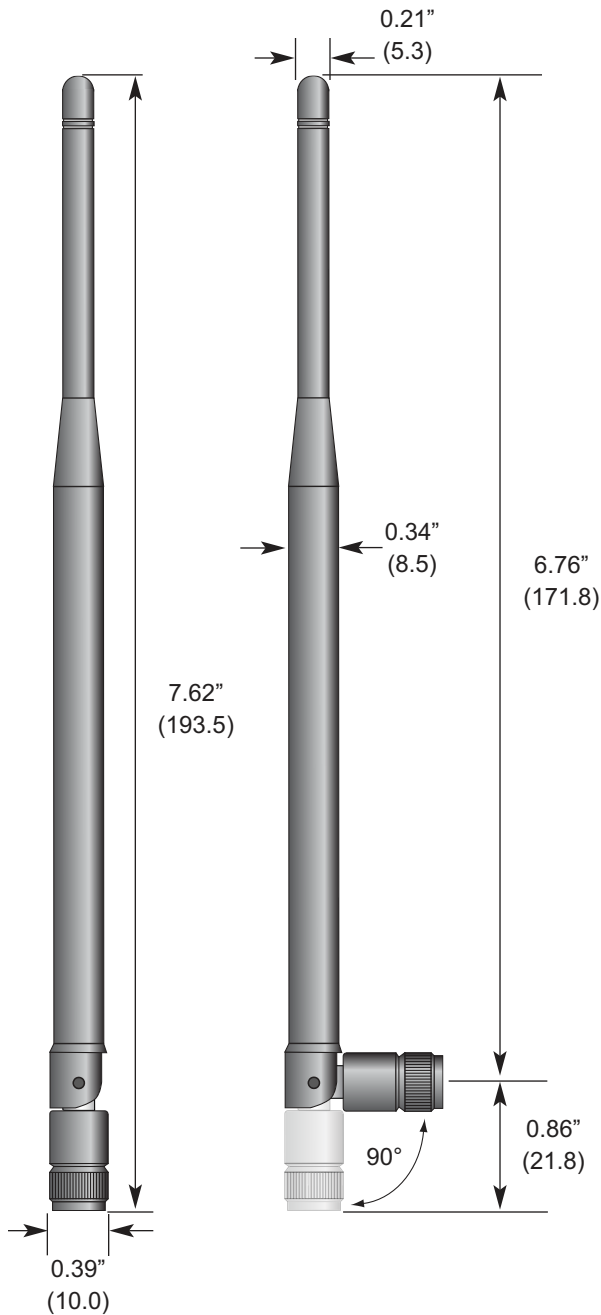


Product Dimensions



Description

The OC series 1/2-wave dipole antennas provide higher gain than a standard whip antenna for increased range and reliability of wireless links. Using loaded coil technology, the OC series antennas minimize the length that would typically be required to achieve omni-directional gain. The articulating base allows the antenna to tilt 90 degrees and rotate 360 degrees. The antenna's internal counterpoise eliminates external ground plane dependence and maximizes performance. OC series antennas attach via a standard SMA or Part 15 Compliant RP-SMA connector.

Features

- Low cost
- Compact size
- Tilts and rotates
- Internal counterpoise
- Omni-directional pattern
- Increased gain versus standard whip antennas
- Standard SMA or Part 15 compliant RP-SMA connector
- Custom colors and terminations for volume OEMs

Electrical Specifications

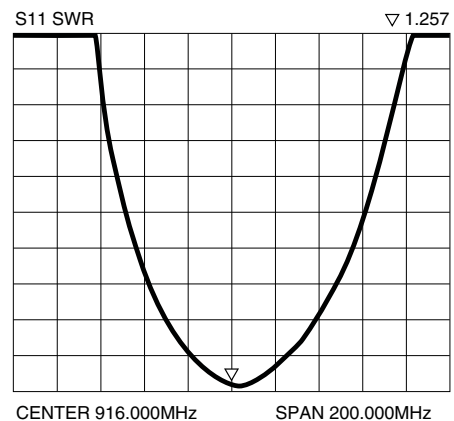
- Center Freq. 916MHz
- Recmd. Freq. Range 895-935MHz
- Wavelength 1/2-wave
- VSWR ≤2.0 typ. at center
- Impedance 50 ohms
- Connector RP-SMA or SMA

Electrical specifications and plots measured on 4.00" x 4.00" reference ground plane

Ordering Information

- ANT-916-OC-LG-RPS (with RP-SMA connector)
- ANT-916-OC-LG-SMA (with SMA connector)

Polar Plot & Gain Information



Typical VSWR