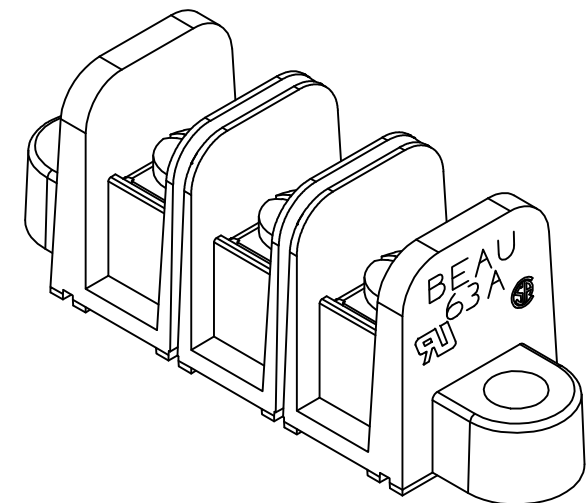
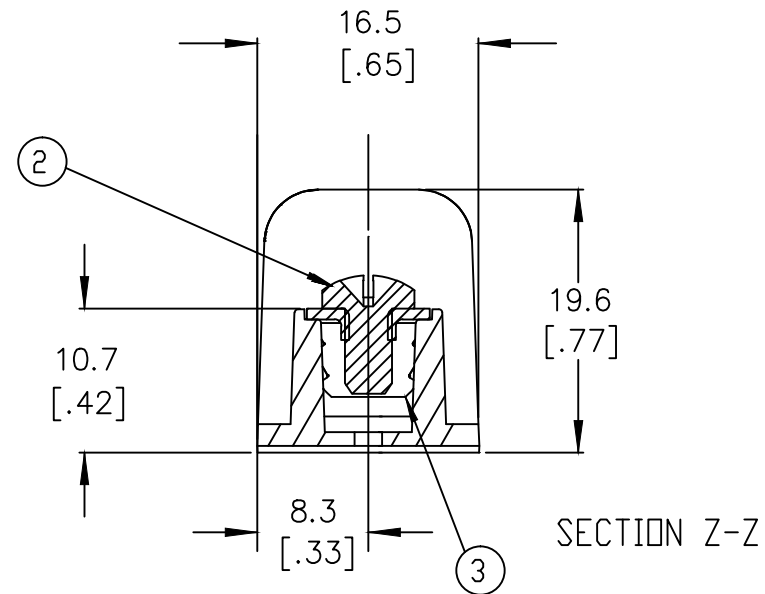
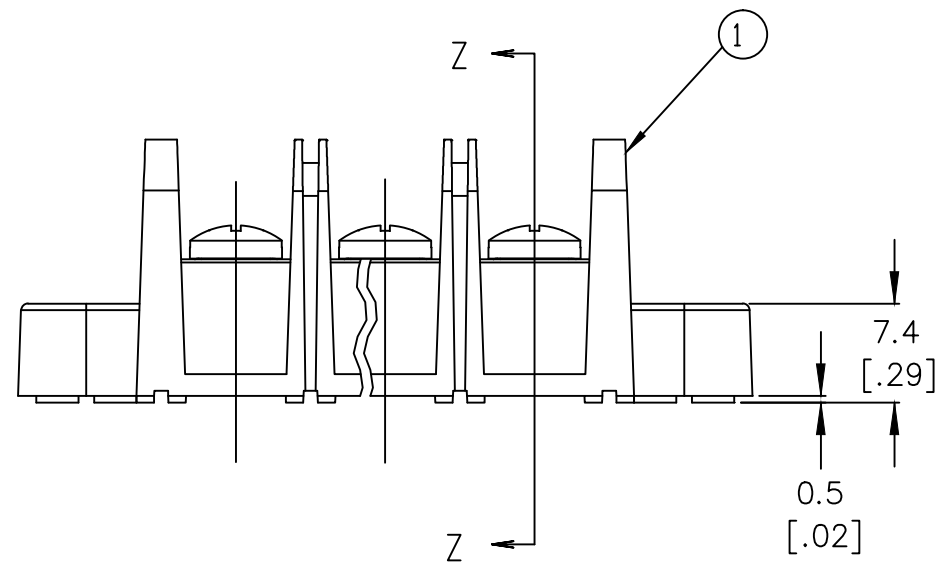


MATERIAL NUMBER (-49 OPT)	NO. OF CIRCUITS	A	B	C	D
386300802	2	43.4 (1.71)	11.13 (.438)	25.9 (1.02)	33.3 (1.31)
386300803	3	54.6 (2.15)	22.22 (.875)	37.1 (1.46)	44.5 (1.75)
386300804	4	65.7 (2.59)	33.35 (1.313)	48.3 (1.90)	55.6 (2.19)
386300805	5	76.7 (3.02)	44.45 (1.750)	59.2 (2.33)	66.5 (2.62)
386300806	6	87.9 (3.46)	55.57 (2.188)	70.4 (2.77)	77.7 (3.06)
386300807	7	99.1 (3.90)	66.67 (2.625)	81.5 (3.21)	88.9 (3.50)
386300808	8	110.2 (4.34)	77.80 (3.063)	92.7 (3.65)	100.0 (3.94)
386300809	9	121.2 (4.77)	88.90 (3.500)	103.6 (4.08)	111.0 (4.37)
386300810	10	132.3 (5.21)	100.03 (3.938)	114.8 (4.52)	122.2 (4.81)
386300811	11	143.5 (5.65)	111.13 (4.375)	125.9 (4.96)	133.4 (5.25)
386300812	12	154.7 (6.09)	122.25 (4.813)	137.2 (5.40)	144.5 (5.69)
386300813	13	165.6 (6.52)	133.35 (5.250)	148.1 (5.83)	155.4 (6.12)
386300814	14	176.8 (6.96)	144.45 (5.687)	159.3 (6.27)	166.6 (6.56)
386300815	15	188.0 (7.40)	155.58 (6.125)	170.4 (6.71)	177.8 (7.00)
386300816	16	199.1 (7.84)	166.70 (6.563)	181.6 (7.15)	189.0 (7.44)



NOTES:

1. MATERIAL: SEE TABLE
2. FINISHES: SEE TABLE
3. PRODUCT SPECIFICATION: NOT REQUIRED
4. PACKAGING: NOT REQUIRED
5. MATES WITH: NONE
6. *XX* REFERS TO QTY. OF CIRCUITS
7. ROHS COMPLIANT

ITEM	QTY.	DESCRIPTION	MATERIAL	FINISH
3	XX	TERMINAL, CLOSED BACK	BRASS	TIN PLATE
2	XX	SCREW #6-32X.250 BHD, PH-SL (-49 OPT)	BRASS	NICKEL
1	1	BARRIER TERMINAL STRIP	POLYESTER (PBT)	BLACK

RPM-T201846115 EC NO.: DRWN: ABENJAMI 2018/05/23 CHKD: -- APPR: BRUPERT 2018/06/13	QUALITY SYMBOLS ▽=0 ◻=0	GENERAL TOLERANCES (UNLESS SPECIFIED)		DIMENSION STYLE MM/IN		SCALE 2:1	DESIGN UNITS INCH	THIRD ANGLE PROJECTION		
		4 PLACES	±---	±.0015	DRAWN BY	DATE	TITLE 11.13/.438" PCB BTS 600V MTG ENDS, CLOSED BACKS BRASS SCREWS			
		3 PLACES	±0.038	±.005	ABENJAMI	2018/05/23				
		2 PLACES	±0.13	±.01	CHECKED BY	DATE	Molex MOLEX INCORPORATED			
1 PLACE	±0.3	±---	---	---						
DRAFT WHERE APPLICABLE MUST REMAIN WITHIN DIMENSIONS		ANGULAR ±2°		APPROVED BY BRUPERT		DATE 2018/06/13	DOCUMENT NO. SD-38630-011		SHEET NO. 1 OF 1	
SIZE B		THIS DRAWING CONTAINS INFORMATION THAT IS PROPRIETARY TO MOLEX INCORPORATED AND SHOULD NOT BE USED WITHOUT WRITTEN PERMISSION								