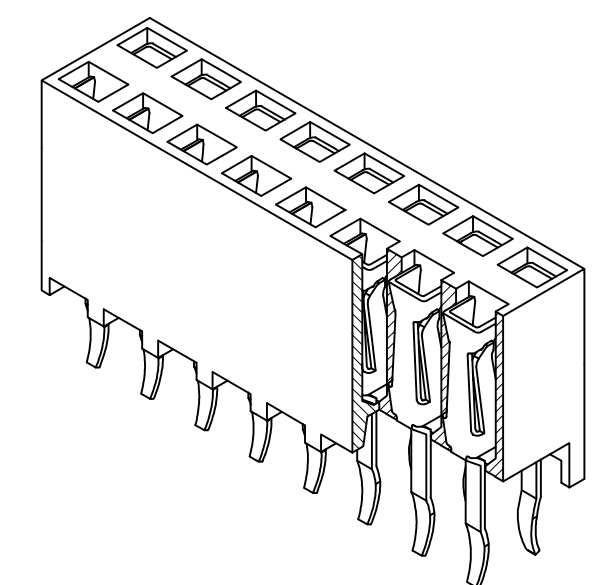
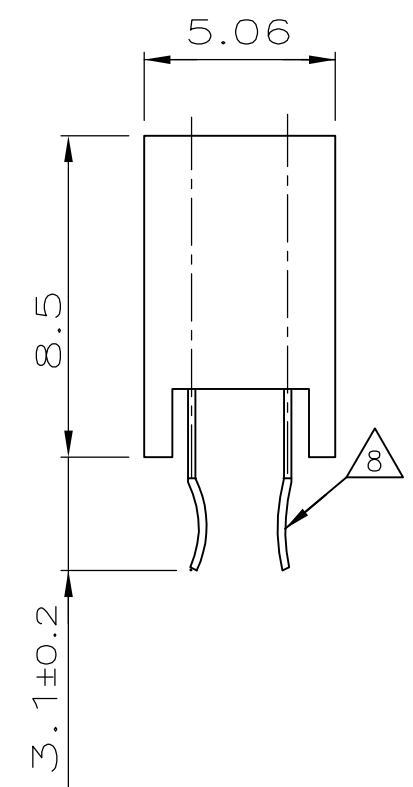
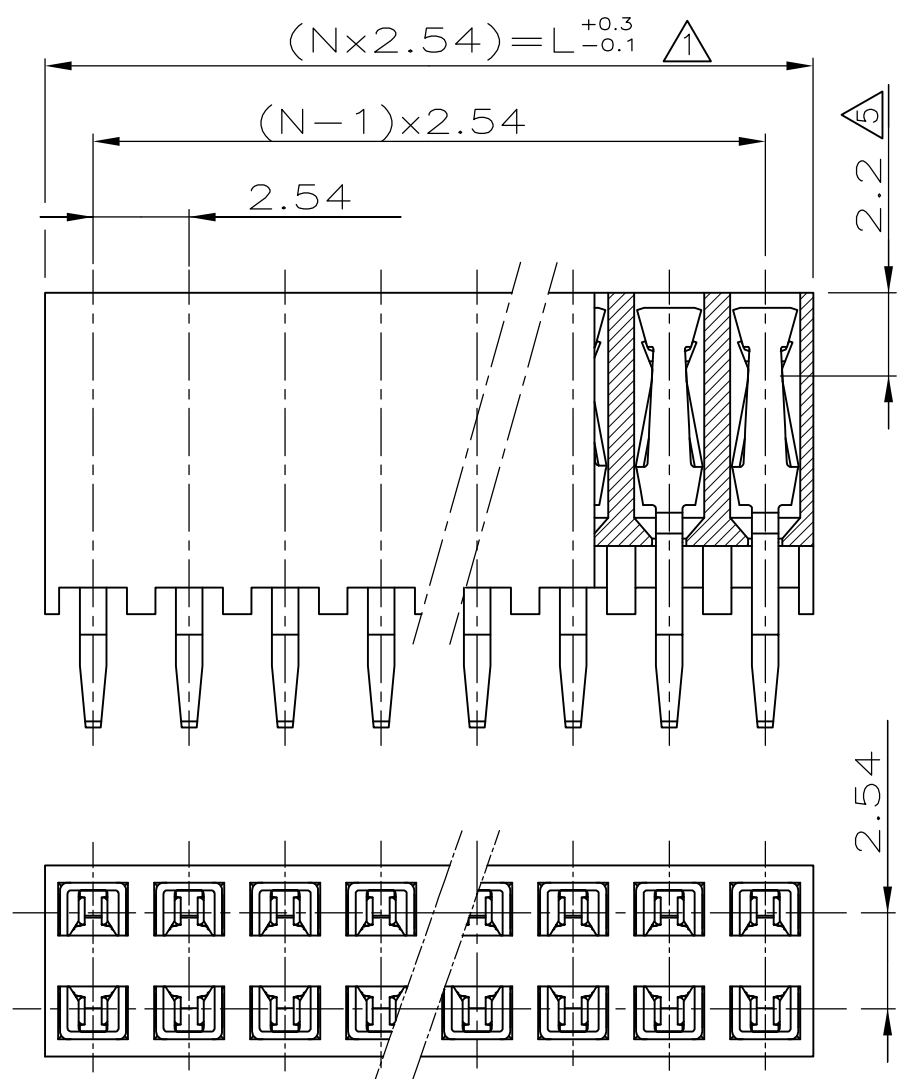
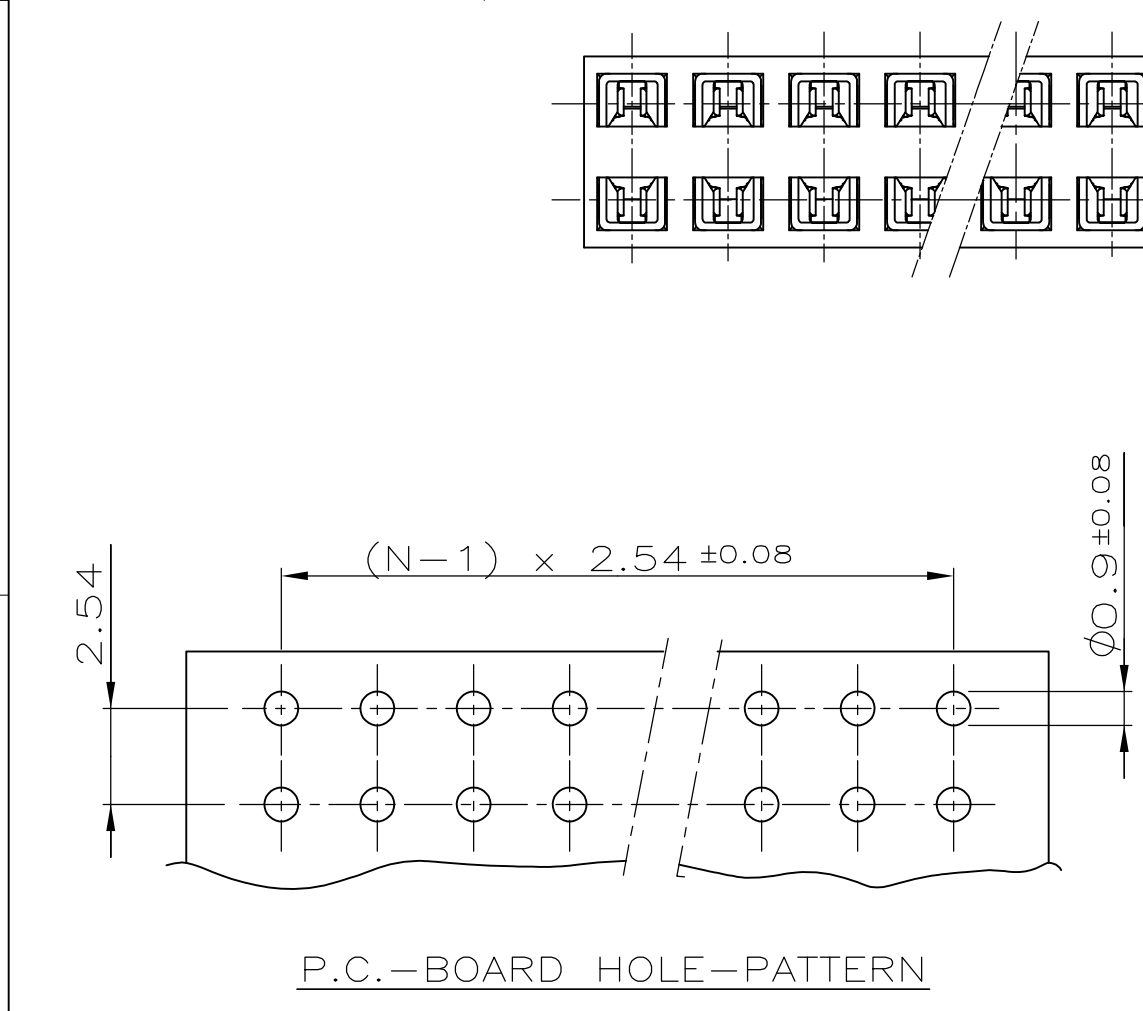


POS. PER ROW 'N'	L	PART NUMBER
2	5.08	215309-2
3	7.62	-3
4	10.16	-4
5	12.70	-5
6	15.24	-6
7	17.78	-7
8	20.32	-8
9	22.86	-9
10	25.40	1- -0
11	27.94	1- -1
12	30.48	1- -2
13	33.02	1- -3
14	35.56	1- -4
15	38.10	1- -5
16	40.64	1- -6
17	43.18	1- -7
18	45.72	1- -8
19	48.26	1- -9
20	50.80	2- -0
21	53.34	2- -1
22	55.88	2- -2
23	58.42	2- -3
24	60.96	2- -4
25	63.50	2- -5
26	66.04	2- -6
27	68.58	2- -7
28	71.12	2- -8
29	73.66	2- -9
30	76.20	3- -0
31	78.74	3- -1
32	81.28	3- -2
33	83.82	3- -3
34	86.36	3- -4
35	88.90	3- -5
36	91.44	3-215309-6



- NOTES:
- TO DETERMINE DIMENSIONS TAKE  $2 \times N = \text{NR. OF POS.}$ . FOR EXAMPLE:  $2 \times 10 \text{ POS.} : N \times 2,54 = 25,4 \text{ mm.}$  FOR ORDER NR. USE BASIC NR. + NR. OF POS. FOR EXAMPLE:  $2 \times 2 \text{ POS.} = 215\ 309-2$  (SHORTEST VERSION)  $2 \times 36 \text{ POS.} = 3-215\ 309-6$  (LONGEST VERSION)
  - HOUSING MATERIAL: GREEN GLASSFILLED POLYESTER, UL 94V-0 CONTACT MATERIAL: PHOSPHOR BRONZE.
  - PLATING: UNDERCOATING:  $1,3\ \mu\text{m Ni.}$  AT CONT.PLACE:  $0,8\ \mu\text{m Au.}$  AT SOLDER-TYNES: MIN.  $2,5\ \mu\text{m Sn.}$
  - MATES WITH 0,63 SQUARE/ROUND MODU POSTS.
  - CONTACT-POINT.
  - RECOMMENDED P.C.BOARD-THICKNESS: 1,6.
  - RETENTION FEATURE.
  - HV100 CONNECTOR PACKED IN ANTISTATIC BLISTER
  - OBSOLETE PARTS: OBSOLETE CIS STREAMLINING PER D.RENAUD/D.SINISI
  - OBSOLETE



THIS DRAWING IS A CONTROLLED DOCUMENT.		DWN L.V.D.HEYDEN 09.07.86	TE Connectivity				
DIMENSIONS: mm		CHK W.SIMONS				NAME	
TOLERANCES UNLESS OTHERWISE SPECIFIED: ±0.15		APVD L.v.SOEST	108-19056				
0 PLC ± - 1 PLC ± - 2 PLC ± - 3 PLC ± - 4 PLC ± - ANGLES ± -		PRODUCT SPEC	HV 100 VERTICAL CONNECTOR DUAL ROW, 8,5mm HEIGHT, TOP ENTRY, GOLD, MAX. 2X36 POSITIONS				
MATERIAL SEE NOTES		FINISH SEE NOTES	APPLICATION SPEC	SIZE A3	CAGE CODE 00779	DRAWING NO C-215309	RESTRICTED TO
			WEIGHT -	SCALE 5:1		SHEET 1 OF 1	REV D
			CUSTOMER DRAWING				