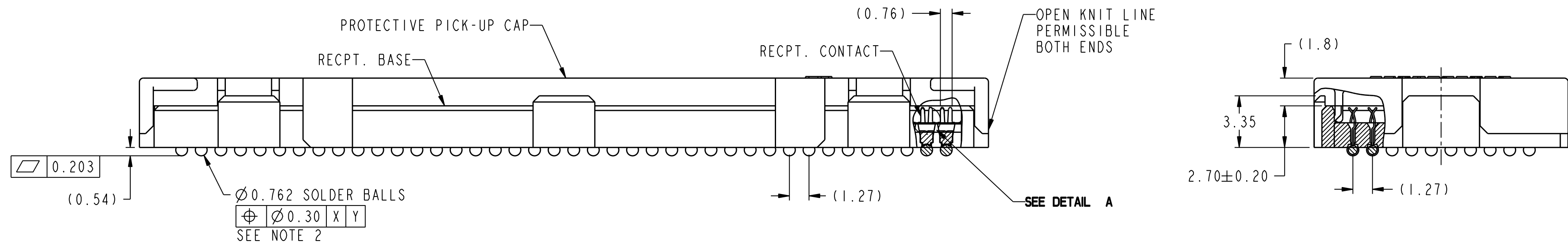
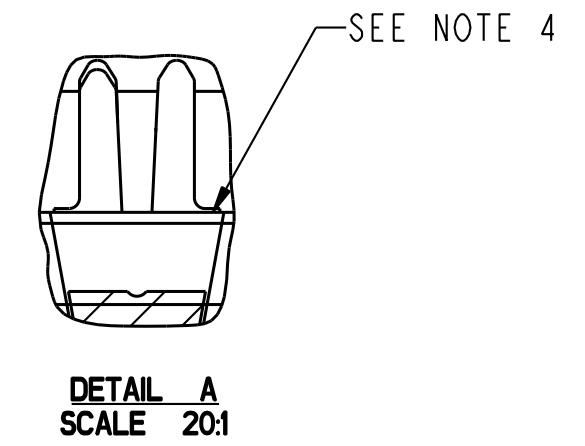
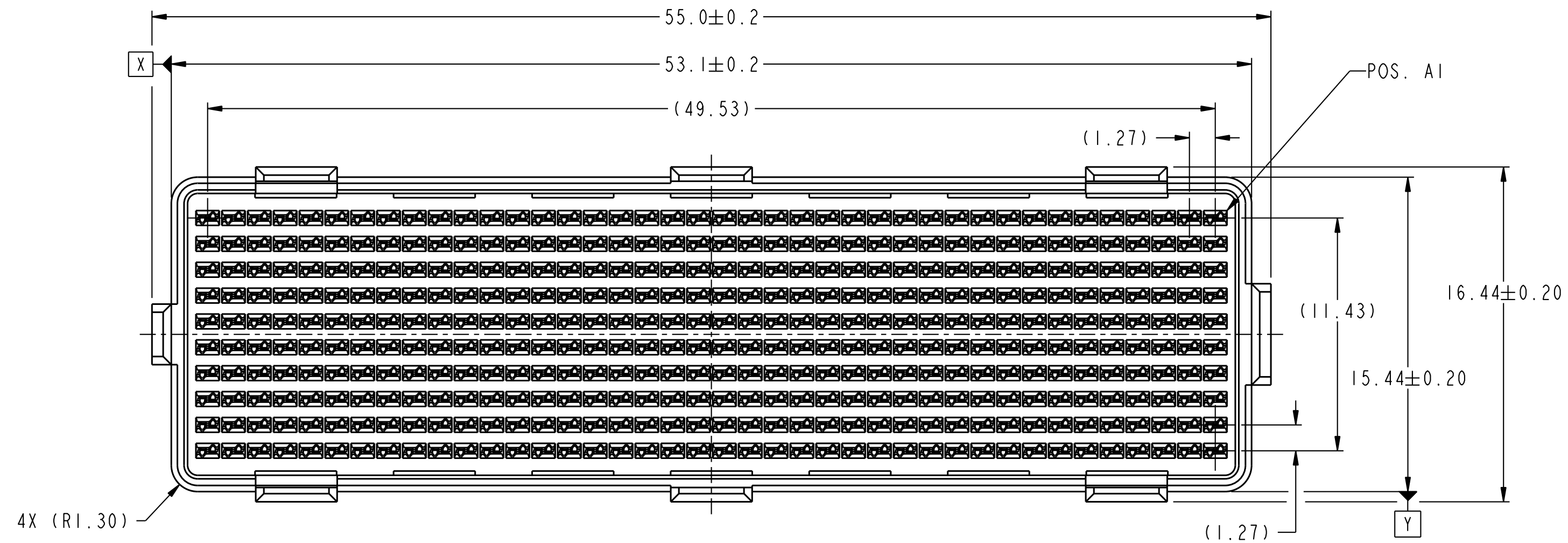


PRODUCT NUMBER
SEE TABLE-SHEET 3



0.203

(0.54)

$\varnothing 0.762$ SOLDER BALLS

$\varnothing 0.30$ X Y
SEE NOTE 2

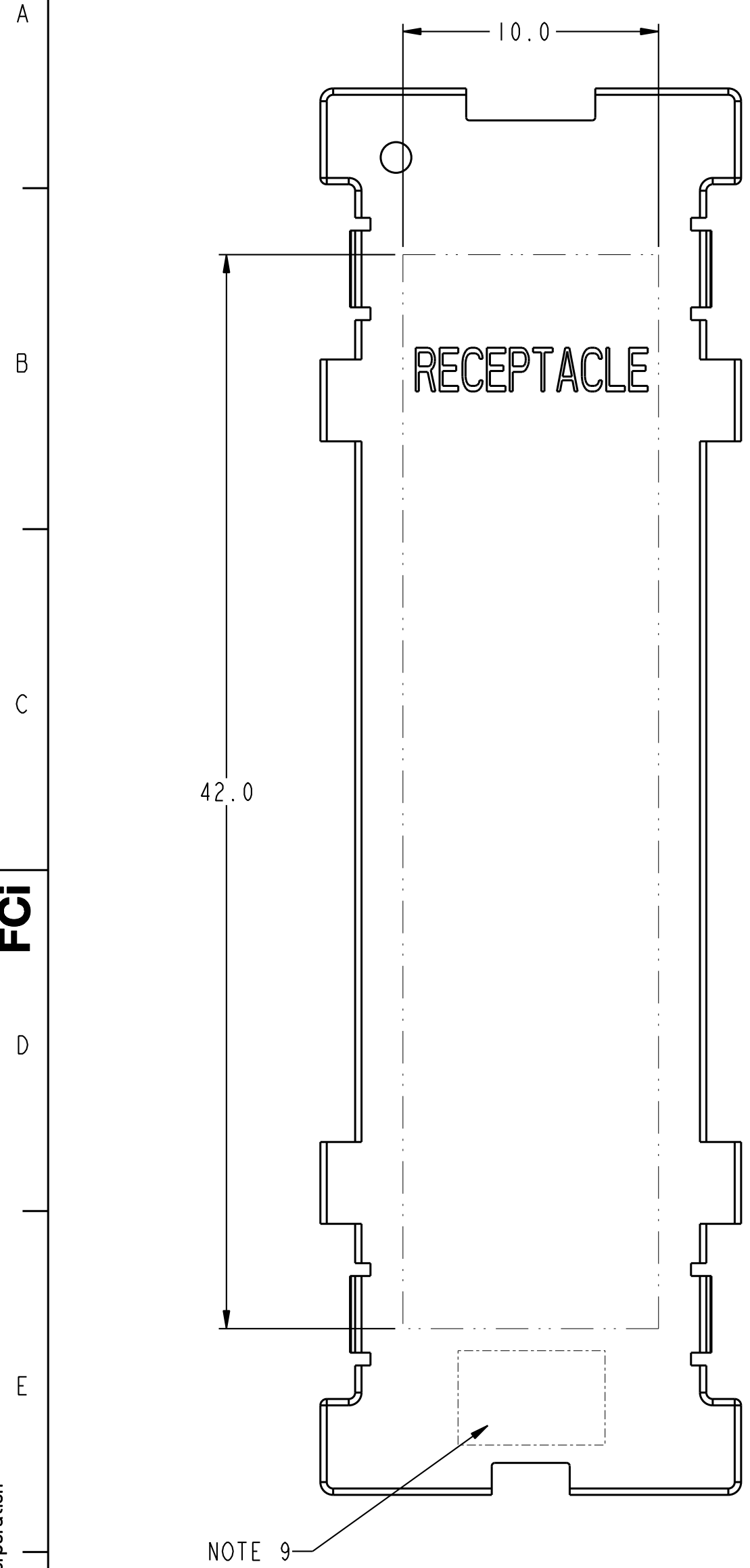
spec ref	-	dr	Chougale, Nand	2018/02/15	projection	MM	size	A2	scale	5:1		
tolerance std	ASME Y14.5	eng	Chris Schroll	2021/03/26			ecn no	ELX-V-00495-1	rel level	Released		
TOLERANCES UNLESS OTHERWISE SPECIFIED		chr	-	apppr							Matthew Emenhe	2021/04/13
surface	linear	0.X	± 0.3	Amphenol FCI		part no	4mm RECEPTACLE ASSEMBLY		diag no	74221	rev	W
		0.XX	± 0.13				10 X 40 = 400 POSITIONS					
	angular	0°	$\pm 2^\circ$			cat. no.	Product - Customer Draw		sheet 1 of 4			

PDS: Rev: W

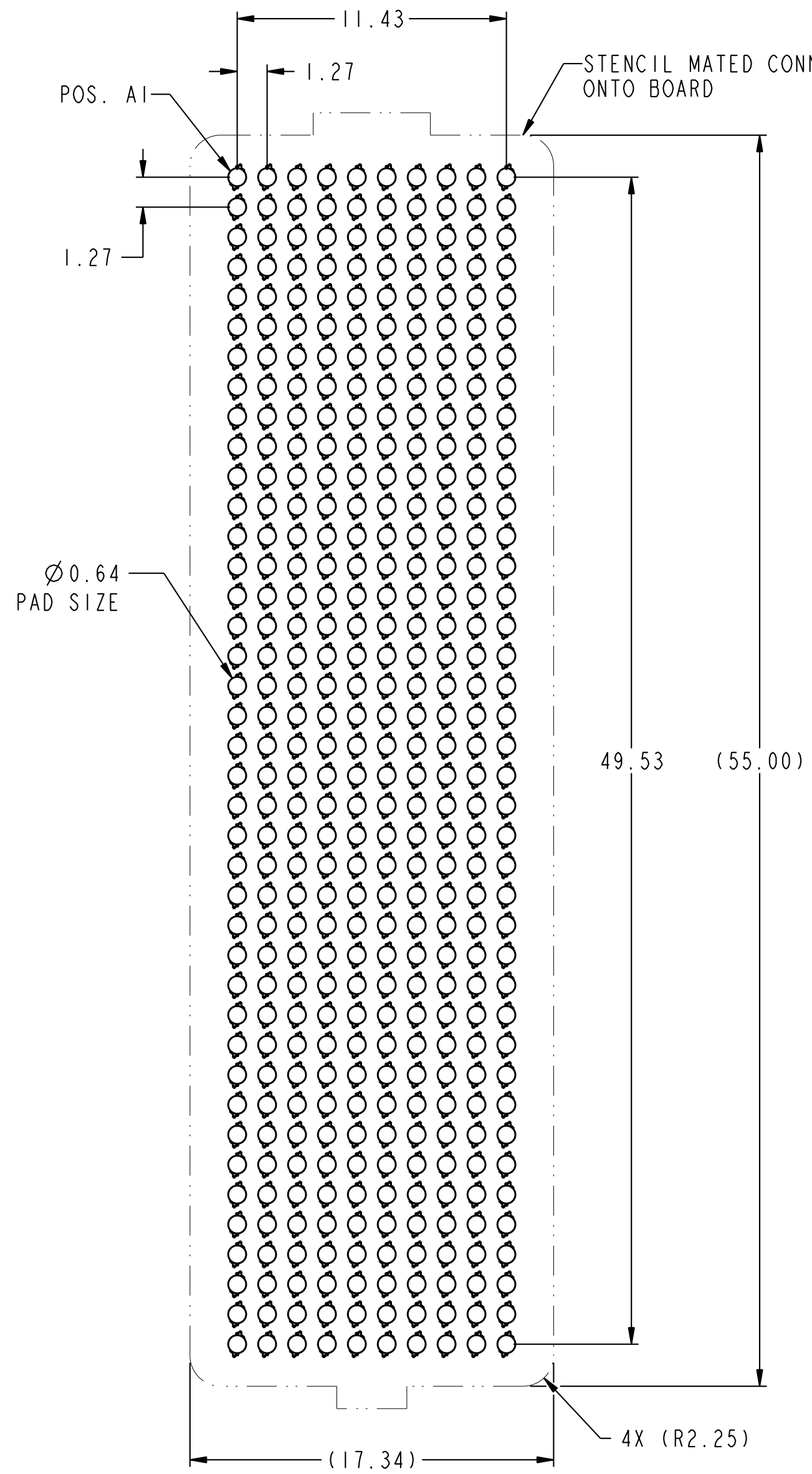
STATUS: Released

Printed: Oct 21, 2021

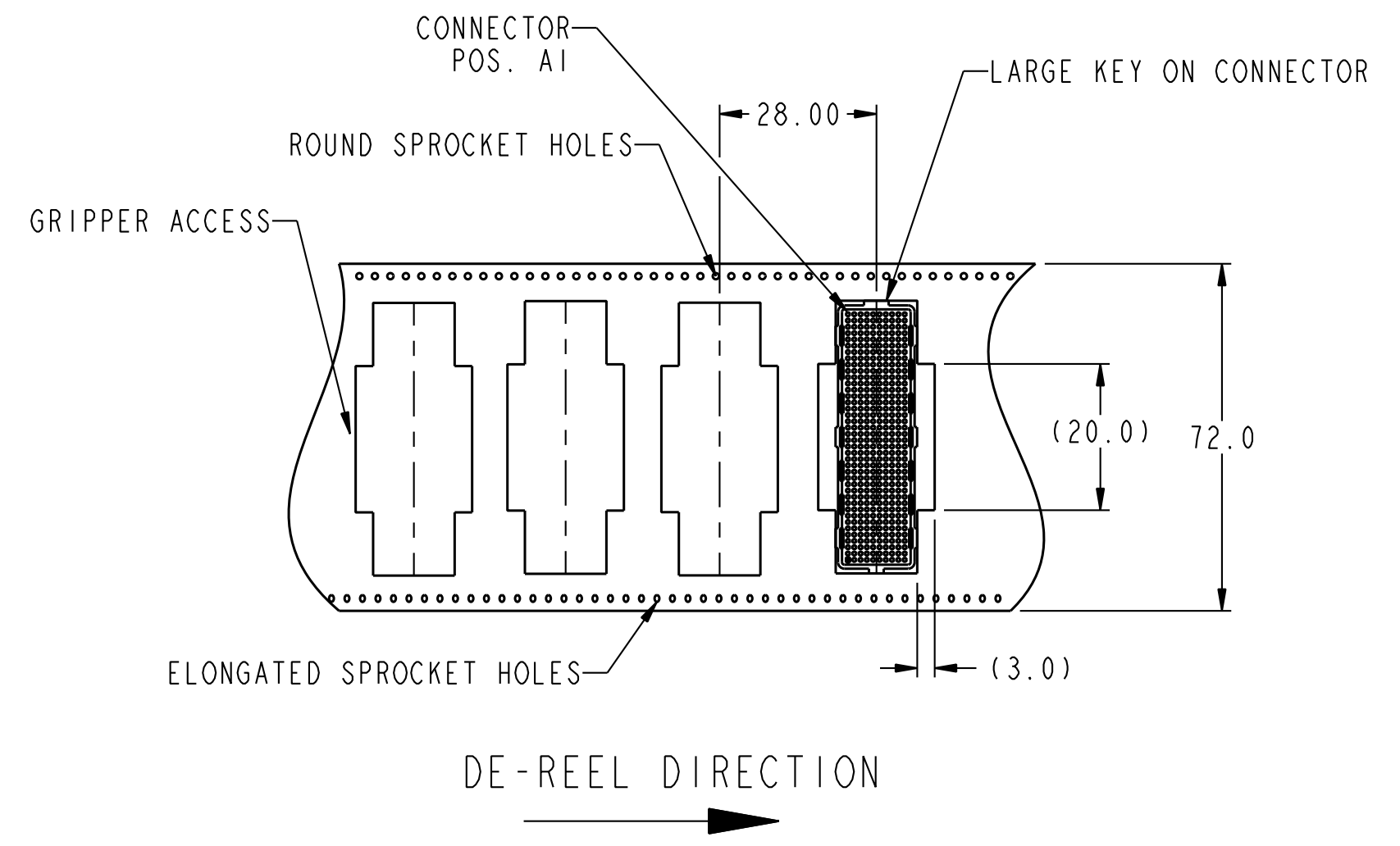
PRODUCT NUMBER
SEE TABLE-SHEET 3



FLAT AREA FOR PICK-UP CAP



BOARD PATTERN



TAPE & REEL PACKAGING
PER EIA 481-3

© 2020 Amphenol Corporation
Amphenol FCI

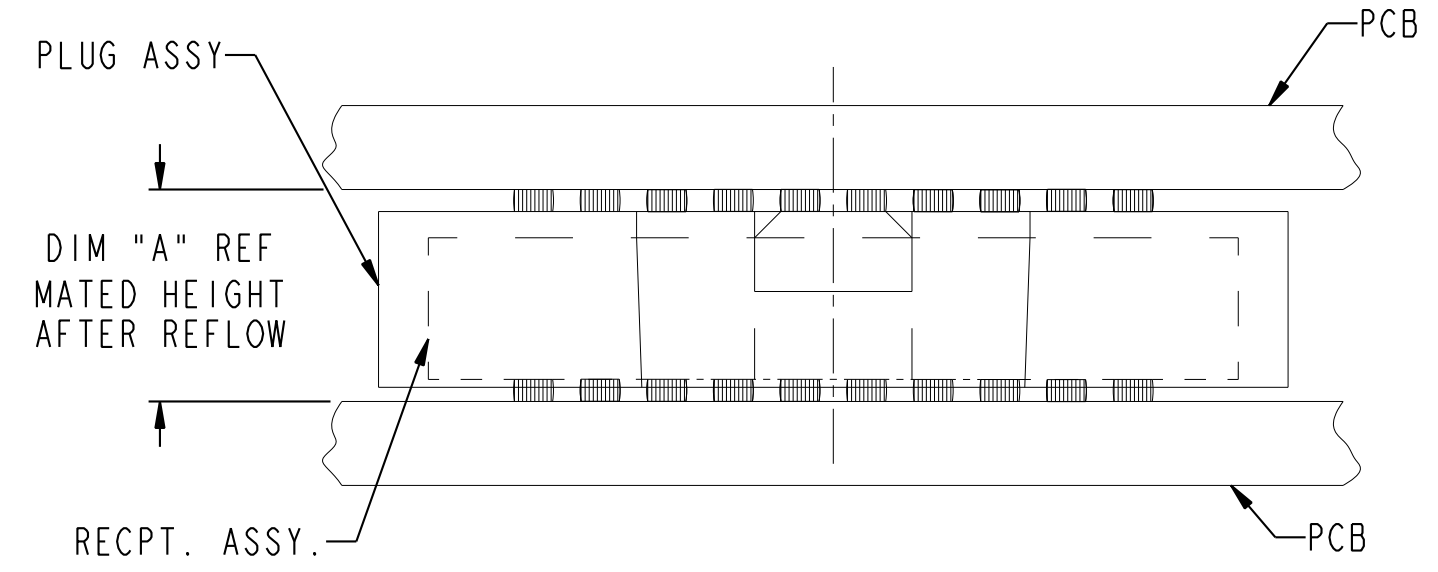
spec ref		-		dr	Chougale, Nand	2018/02/15	projection	MM	size	A2	scale	5:1	
tolerance std		ASME Y14.5		eng	Chris Schroll	2021/03/26		←	ecn no		ELX-V-40495-1		
TOLERANCES UNLESS OTHERWISE SPECIFIED		-		chr	-	rel level			Released				
surface		linear	0.X ±0.3 0.XX ±0.13 0.XXX ±0.050	appr	Matthew Emenhe	2021/04/13	product family		MEG-ARRAY		cat. no		
ASME Y14.5		angular	0° ±2°	Amphenol FCI		4mm RECEPTACLE ASSEMBLY		10 X 40 = 400 POSITIONS		74221		rev	W
				Product - Customer Drw		sheet 2 of 4							

PDS: Rev :W

STATUS:Released

Printed: Oct 21, 2021

PRODUCT NUMBER	PICK-UP CAP	CONTACT PLATING	SOLDER BALLS	NOTES
74221-001	YES	15μ" (0.38μm) Au	SnPb	-
74221-001BF	YES	15μ" (0.38μm) Au	SnPb	12
74221-001LF	YES	15μ" (0.38μm) Au	SnAgCu LEAD FREE	7
74221-001BLF	YES	15μ" (0.38μm) Au	SnAgCu LEAD FREE	7 AND 12
74221-091	YES	15μ" (0.38μm) GXT	SnPb	-
74221-091BF	YES	15μ" (0.38μm) GXT	SnPb	12
74221-091LF	YES	15μ" (0.38μm) GXT	SnAgCu LEAD FREE	7
74221-091BLF	YES	15μ" (0.38μm) GXT	SnAgCu LEAD FREE	7 AND 12
74221-101	YES	30μ" (0.76μm) Au	SnPb	-
74221-101BF	YES	30μ" (0.76μm) Au	SnPb	12
74221-101LF	YES	30μ" (0.76μm) Au	SnAgCu LEAD FREE	7
74221-101BLF	YES	30μ" (0.76μm) Au	SnAgCu LEAD FREE	7 AND 12
74221-191	YES	30μ" (0.76μm) GXT	SnPb	-
74221-191BF	YES	30μ" (0.76μm) GXT	SnPb	12
74221-191LF	YES	30μ" (0.76μm) GXT	SnAgCu LEAD FREE	7
74221-191BLF	YES	30μ" (0.76μm) GXT	SnAgCu LEAD FREE	7 AND 12
74221-201	YES	Au SPECIAL	SnPb	5
74221-201BF	YES	Au SPECIAL	SnPb	5 AND 12
74221-201LF	YES	Au SPECIAL	SnAgCu LEAD FREE	5 AND 7
74221-201BLF	YES	Au SPECIAL	SnAgCu LEAD FREE	5, 7 AND 12
74221-291	YES	GXT SPECIAL	SnPb	5
74221-291BF	YES	GXT SPECIAL	SnPb	12
74221-291LF	YES	GXT SPECIAL	SnAgCu LEAD FREE	5 AND 7
74221-291BLF	YES	GXT SPECIAL	SnAgCu LEAD FREE	5, 7 AND 12
74221-A01	YES	30μ" (0.76μm) Au SPECIAL	SnPb	8
74221-A01BF	YES	30μ" (0.76μm) Au SPECIAL	SnPb	8 AND 12
74221-A01LF	YES	30μ" (0.76μm) Au SPECIAL	SnAgCu LEAD FREE	7 AND 8
74221-A01BLF	YES	30μ" (0.76μm) Au SPECIAL	SnAgCu LEAD FREE	7, 8 AND 12
74221-101LTLF	YES	30μ" (0.76μm) Au	LOW TEMPERATURE	7
74221-101BLTLF	YES	30μ" (0.76μm) Au	LOW TEMPERATURE	7 AND 12
74221-191LTLF	YES	30μ" (0.76μm) GXT	LOW TEMPERATURE	7
74221-191BLTLF	YES	30μ" (0.76μm) GXT	LOW TEMPERATURE	7 AND 12



DIM. A	PLUG ASSY. P/N	RECPT. ASSY. P/N
4.0	84740	74221
10.0	84520	74221

MATED HEIGHT AFTER REFLOW IS BASED ON Ø 0.64mm PAD (METAL-DEFINED) AND 0.13mm SOLDER PASTE STENCIL THICKNESS. SEE NOTE 3

END VIEW - MATED CONNECTORS

spec ref	-	dr	Chougale, Nand	2019/02/15	projection	MM	size	A2	scale	3:1											
tolerance std	ASME Y14.5	eng	Chris Schroll	2021/03/26			ecn no	ELX-V-00495-1	rel level	Released											
TOLERANCES UNLESS OTHERWISE SPECIFIED		chr	-	apppr							Matthew Emenhe	2021/04/13	product family	MEG-ARRAY							
surface	<table border="1"> <tr><td>linear</td><td>0.X</td><td>±0.3</td></tr> <tr><td></td><td>0.XX</td><td>±0.13</td></tr> <tr><td></td><td>0.XXX</td><td>±0.050</td></tr> <tr><td>angular</td><td>0°</td><td>±2°</td></tr> </table>	linear	0.X	±0.3								0.XX	±0.13		0.XXX	±0.050	angular	0°	±2°	Amphenol FCI	
linear	0.X	±0.3																			
	0.XX	±0.13																			
	0.XXX	±0.050																			
angular	0°	±2°																			
Product - Customer Draw sheet 3 of 4																					

PDS: Rev :W

STATUS:Released

Printed: Oct 21, 2021

© 2020 Amphenol Corporation
Amphenol FCI

PRODUCT NUMBER
SEE TABLE-SHEET 3

NOTES:

- ① MATERIAL:
HOUSING: LCP, MEETS UL94 V-0 OR BETTER.
CONTACT: COPPER ALLOY
- PLATING:
CONTACT: (SEE TABLE ON SHEET 3)
SOLDER BALL: (SEE TABLE ON SHEET 3)
EUTECTIC SnPb OR LEAD FREE
95.5Sn/4Ag/0.5Cu
- ② SOLDER BALLS WILL NOT HAVE PERFECT SPHERICAL SHAPES DUE TO REFLOW ATTACHMENT.
- ③ MATED HEIGHT EFFECTED BY CUSTOMER'S PCB PAD SIZE, PLATING SOLDER REFLOW PROFILE & SOLDER PASTE.
- ④ NO TIN/LEAD OR FLUX ABOVE TERMINAL SHOULDER.
- ⑤ PLATING FOR -2XX SERIES DASH NOS. MEETS THE REQUIREMENTS OF GR-1217-CORE, CENTRAL OFFICE ENVIRONMENT, (25 YEAR LIFE EXPECTANCY).
- ⑥ FOR PROPER APPLICATION FOLLOW AFCI APPLICATION SPECIFICATION GS-20-033. LEAD FREE SOLDER BALLS WILL NOT SOLDER PROPERLY IN A LEADED SOLDER PROCESS DUE TO A HIGHER REFLOW TEMPERATURE. LEAD FREE PRODUCT IS THEREFORE NOT BACKWARDS COMPATIBLE WITH LEADED OR SOME SOLDERING APPLICATIONS. REFERENCE AFCI APPLICATION SPECIFICATION.
- ⑦ THIS PRODUCT MEETS EUROPEAN UNION DIRECTIVES AND OTHER COUNTRY REGULATIONS AS DESCRIBED IN GS-47-0004 PRODUCT MEETING THIS DIRECTIVE IS IDENTIFIED IN THE LOT CODE NUMBER MARKED ON EACH PART BY HAVING AN "X" IN THE SEVENTH CHARACTER POSITION.
- ⑧ 74221-A01, -A01LF HAVE CUSTOMER SPECIAL PLATING.
- ⑨ CURRENT COMPANY LOGO TO BE VISIBLE IN APPROXIMATE AREA SHOWN.
- ⚠ 10. A ⚠ SYMBOL WILL BE NEXT TO ANY DIMENSION, NEW VIEW, OR NOTE WHICH HAS BEEN MODIFIED WITH THE CURRENT DRAWING REVISION.
- 11. -301, -301LF, -401, -401LF, -501, -501LF ARE OBOSOLETE AND REMOVED FROM THE PRODUCT NUMBER TABLE.
- ⚠ ⑫ FOR THESE DASH NUMBERS, PRODUCT IS BERYLLIUM FREE.

Amphenol FCI

© 2020 Amphenol Corporation

spec ref		-		dr	Chougale, Nand	2018/02/15	projection	MM	size	A2	scale	3:1
tolerance std		ASME Y14.5		eng	Chris Schroll	2021/03/26		←	ecn no		ELX-V-40495-1	
TOLERANCES UNLESS OTHERWISE SPECIFIED				chr	-	rel level			Released			
surface		linear	0.X ±0.3 0.XX ±0.13 0.XXX ±0.050	appr	Matthew Emenhe	2021/04/13	product family		MEG-ARRAY		diag no	74221
ASME Y14.5		angular	0° ±2°	Amphenol FCI		4mm RECEPTACLE ASSEMBLY		10 X 40 = 400 POSITIONS		rev	W	
				cat. no.		Product - Customer		Drw		sheet 4 of 4		