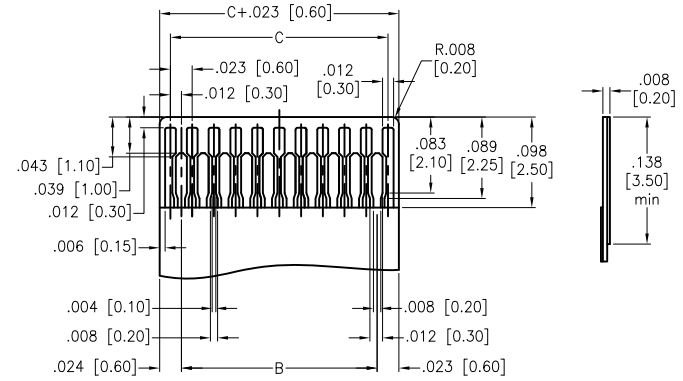
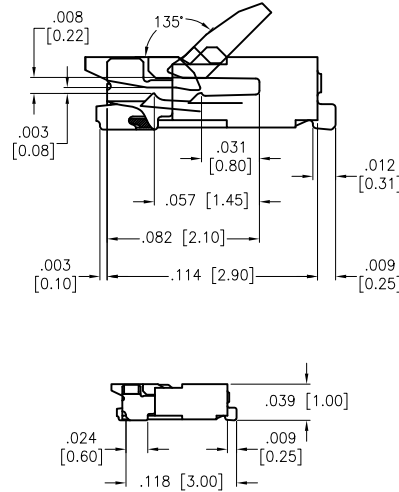
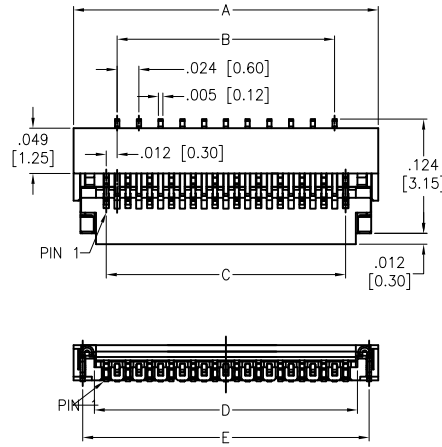
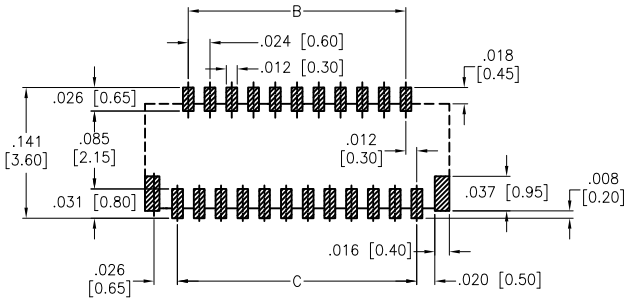


APPROVED: \_\_\_\_\_  
 DATE: \_\_\_\_\_ TITLE: \_\_\_\_\_

Rev	AWO #	Description	Date	Appr
-		RELEASED	3/29/17	



RECOMMENDED FFC/FPC DIM.



RECOMMENDED PCB LAYOUT

**SPECIFICATIONS:**

**Material:**  
 Housing: Hi-Temp Thermoplastic, rated UL 94V-0, Color: Natural  
 Actuator: Hi-Temp Thermoplastic, rated UL 94V-0, Color: Black  
 Contact: Copper Alloy  
 Holddown: Copper Alloy, Tin plated  
**Plating:**  
 Gold flash over Nickel underplate overall  
**Electrical:**  
 Voltage rating: 30V Max  
 Current rating: 0.3A Max  
 Contact resistance: 30 mohms max  
 Insulation resistance: 50 Mohms min  
 Dielectric withstanding voltage: 250 VAC for 1 minute  
**Temperature Rating:**  
 Operating temperature: -25°C to +85°C  
**Environmental:**  
 Lead free, RoHS compliant.



Positions: 09, 11, 13, 15, 17, 19, 21, 23, 25, 27, 29, 31, 33  
 35, 37, 39, 41, 45, 49, 51, 57, 61, 67, 71

A = C + .071 [1.80]  
 B = C - .024 [0.60]  
 C = (N-1) X .012 [0.30]  
 D = C + .024 [0.63]  
 E = C + .051 [1.30]

UNLESS OTHERWISE SPECIFIED ALL DIMENSIONS ARE INCHES [MM] TOLERANCES: EXCEPT AS NOTED		<b>ADAM TECH</b> 909 Rahway Avenue, Union, NJ 07083 Phone: 908-687-5000 Fax: 908-687-5710	
INCHES HOLES .X ± .10 Ø.X ± .10 .XX ± .020 Ø.XX ± .015 .XXX ± .015 Ø.XXX ± .010			
APPROVALS		TITLE	
DRAWN	HR	ZIF FLEX CIRCUIT CONNECTOR	
CHECKED	RW	0.30 MM PITCH, SIDE ENTRY, SMT	
APPROVED		DATE	
		3/29/17	
		3/29/17	
SIZE	PART NO.	REV.	
X	PCA-7F-XX-HL-3-G	-	
REF: S00165C	SCALE: NTS	SHEET 1 OF 1	