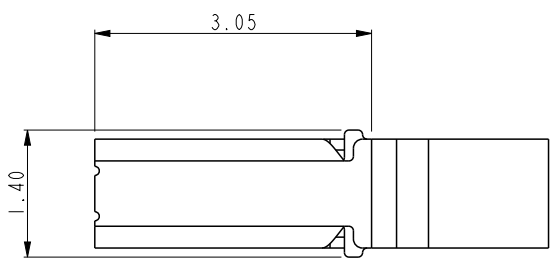
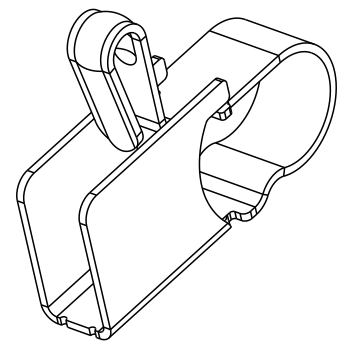
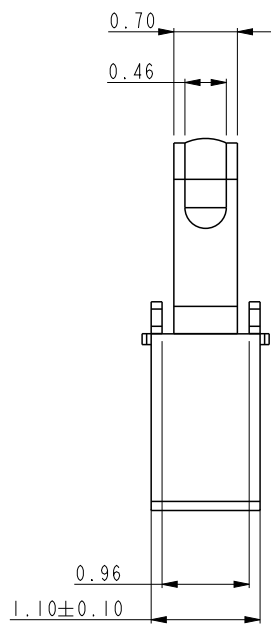
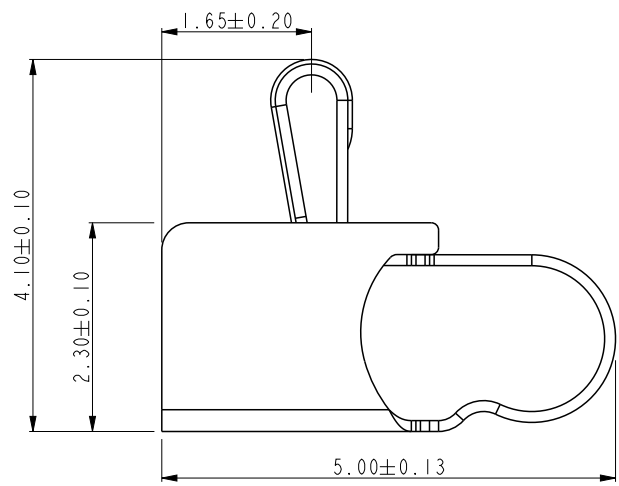




Copyright FCI.

PRODUCT NO.	
FCI	10128875-009RLF



NOTES:  
 1.MATERIAL: COPPER ALLOY.  
 2.CONTACT PLATING:  
   CONTACT AREA: PLATING 1um GXT OVER Ni UNDERPLATE.  
   SOLDER AREA : PLATING GOLD FLASH OVER Ni UNDERPLATE.  
 3.PACKAGING: TAPE & REEL  
 4.PART NUMBER DESCRIPTION:  
 10128875-0 0 X X X  
   X : LF:LEAD FREE  
   X : R : TAPE AND REEL  
   X : CONTACT PLATING:  
   9 : 1um GXT over Ni

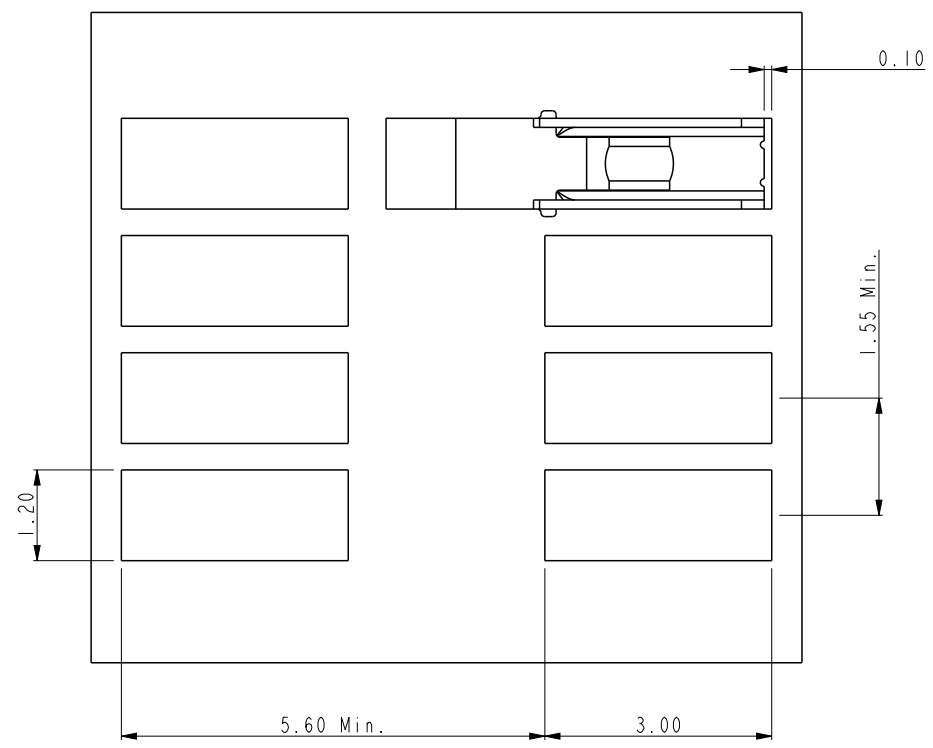
rev	ecn no	dr	date
A	INITIAL RELEASE	AL	2014-05-12

spec ref	*	dr	Andy Lu	2014/05/11	projection 	mm ←→	size	A4	scale	12.000
tolerance std	TOLERANCES UNLESS OTHERWISE SPECIFIED	eng	Andy Lu	2014/05/13			ecn no	-		
ASME Y14.5		chr	-	-			rel level	Released		
surface	✓	appr	Pei-Ming Zheng	2014/05/13	product family	-	product family	-	rel level	Released
ASME Y14.5	linear	0.X	±0.3	 <b>www.fci.com</b>	title ANTENNA CONNECTOR UNIVERSAL CONTACT	dwg no 10128875	rev A			
		0.XX	±0.15							
		0.XXX	±0.050							
	angular	0°	±2°	cat. no.	Product - Customer Drw	sheet 1 of 2				

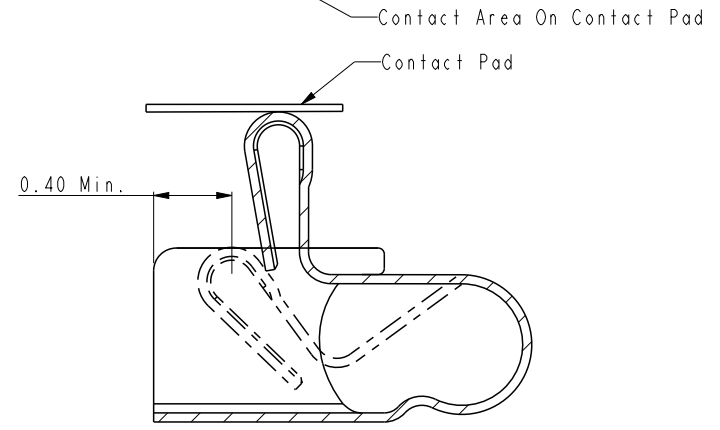
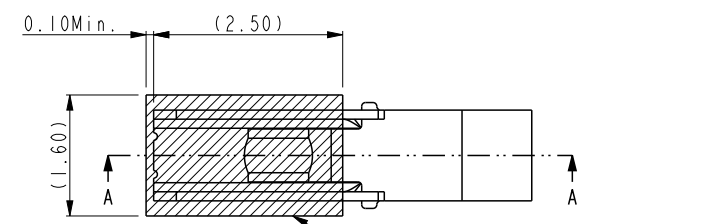
ProE File - REV C - 2009-06-09



Copyright FCI.



RECOMMENDED PCB DIMENSION & MIN. PITCH  
TOLERANCE: +/-0.05



SECTION A-A  
SCALE 10.000

RECOMMENDED CONTACT AREA DIMENSION

- NOTES(PCB):
- CONTACT AREA PLATING:  
PLATING GOLD 0.75um MIN OVER NICKLE.
  - CLEANNES, FLATNESS AND OTHER RELEVANT REQUIREMENTS SHALL BE IN ACCORDANCE WITH IPC A-600H.
  - FOR REFERENCE ONLY AND DETAIL SPECIFICATION SHOULD BE DEFINED BY CUSTOMER ACCORDINGLY TO MANUFACTURING PROCESS.

spec ref	*	dr	Andy Lu	2014/05/11	projection 	mm ←→	size	A4	scale	12.000				
tolerance std	ASME Y14.5	eng	Andy Lu	2014/05/13			ecn no	-						
TOLERANCES UNLESS OTHERWISE SPECIFIED		chr	-	-			rel level	Released						
surface	✓	appr	Pei-Ming Zheng	2014/05/13	product family	-	linear	0.X	±0.3	 title ANTENNA CONNECTOR UNIVERSAL CONTACT www.fci.com cat. no.	dwg no	10128875	rev	A
							angular	0°	±2°		Product - Customer Drw	sheet 2 of 2		
ASME Y14.5														

PrdE File - REV C - 2009-06-09