

MICRO SWITCH

FREEPORT ILLINOIS, U.S.A
A DIVISION OF HONEYWELL
FED. MFG. CODE 91929

SWITCH-BASIC

CATALOG LISTING

V3-355

CK-D3400

V3-355

PAGE 1 OF 1

REPLACES X64169-V3

RELEASE NO. PR-5787

M

DRAWING NUMBER

27

ISSUE

3A

CHECK

REVISIONS

A CO39182
C E B
10 FEB 78

B CO
59921

SMA
29 SEPT 88

C CO 73764

D H D
30 NOV 92

D CO -
74087

J W B
17 FEB 93

E CO
77116

D C S
31 MAR 94

F CO-93311

TSM
15 OCT 98

CHECK

13 APRIL 76

C E B

C E B

C E B

C E B

C E B

C E B

C E B

C E B

C E B

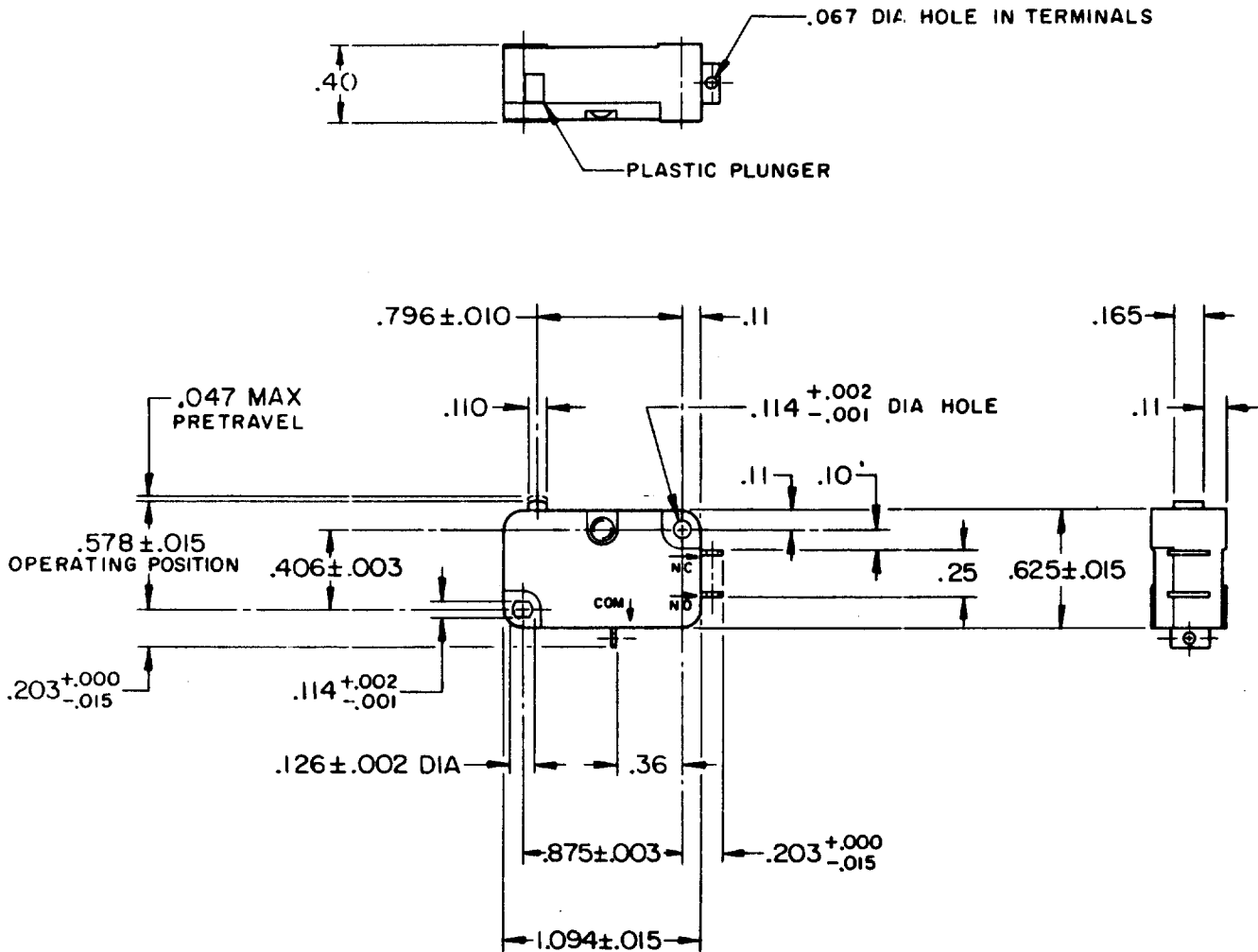
C E B

C E B

C E B

C E B

C E B

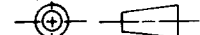


NOTES

- 1 - TERMINALS ARE PLATED FOR SOLDERING
- 2 - IN INSPECTION, DO NOT BURN OUT - GOLD CONTACTS
- 3 - IN INSPECTION, DO NOT EXCEED 10 VDC, .1A RESISTIVE LOAD

THIS DRAWING COVERS A PROPRIETARY ITEM AND IS THE PROPERTY OF MICRO SWITCH, A DIVISION OF HONEYWELL. THIS DRAWING IS NOT TO BE COPIED OR USED WITHOUT THE APPROVAL OF MICRO SWITCH.

THIRD ANGLE PROJECTION



CHARACTERISTICS

OPERATING FORCE ----- 8 OZ MAX
RELEASE FORCE ----- 2 OZ MIN
DIFFERENTIAL TRAVEL --- .006 --- .016
OVERTRAVEL ----- .040 MIN
FREE POSITION ----- .625 MAX
RELEASE TRAVEL ----- .007 MIN

ELECTRICAL DATA

CONTACT ARRANGEMENT
S P D T
L156 11A-1/3HP-125, 250, 277VAC
1/2A-125VDC; 1/4A-250VDC
4A-125VAC "L"

SCALE FULL

DO NOT SCALE PRINT

TOLERANCES
APPLY TO DESIGN UNITS. CONVERSIONS ARE ONLY FOR REFERENCE. UNLESS NOTED, TOLERANCES ARE ±

DIM.	TOL.	DIM.	TOL.
mm	mm/in	in	mm/in
NO PLACES	X	1/04	0.81/03
ONE PLACE	X,X	0.47/018	X,XX 0.387/015
TWO PLACES	X,XX	0.157/006	X,XXX 0.137/005
THREE PLACES	X,XXX		
ANGLES			

DESIGN UNITS SI METRIC US CUSTOMARY

WEIGHT .016 LB

FORMTEK

DRAWN

J A L 2 APR 76 CHECK C E B