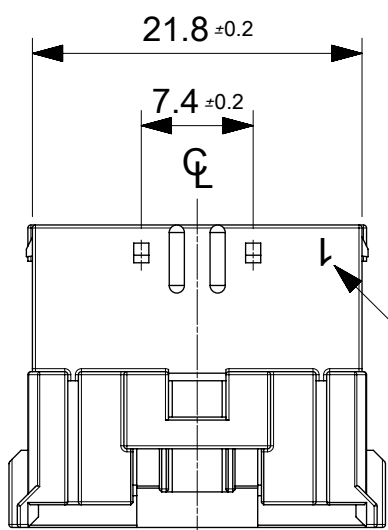
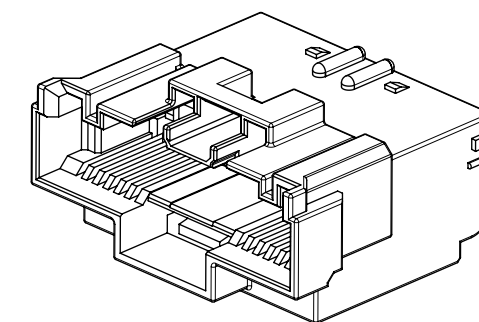
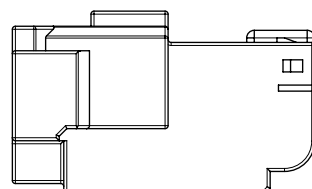
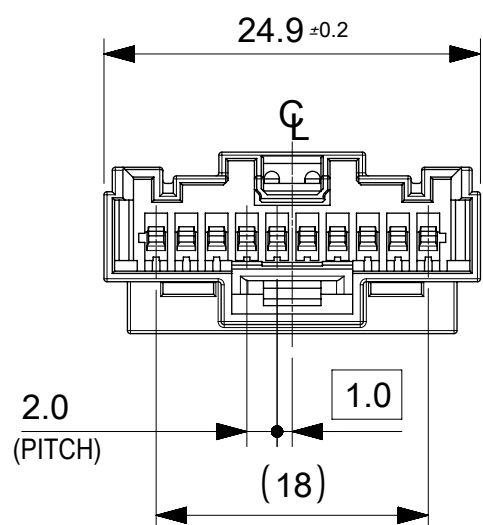


NOTE

- 1.適合ターミナル : 56086シリーズ  
APPLICABLE TERMINAL:56086 SERIES
- 2.適合リテーナー : 2014952100  
APPLICABLE RETAINER:2014952100
- 3.嵌合相手 : 2014932100  
MATE WITH:2014932100
- 4.ELV及びRoHS適合品  
ELV AND RoHS COMPLIANT
- 5.材料/MATERIALS  
ポリエステル ( PBT ) ,UL94V-0,ナチュラル ( 白 )  
POLYESTER(PBT),UL94V-0,NATURAL(WHITE)
- 6.製品仕様書 : 2014932100PS000  
PRODUCT SPECIFICATION:2014932100PS000
- 7.本製品のプラスチック部に黒点等が確認される場合や色合いが異なる場合がありますが、製品性能に影響はありません  
APPLICATION SPHERE IS NO INFLUENCE IN THE PRODUCT PREFORMANCE THOUGH THE BLACK SPOT ETC.  
MIGHT BE CONFIRMED TO THE PLASTIC PART OF THE PRODUCT AND THE SHADE MIGHT BE DIFFERENT.

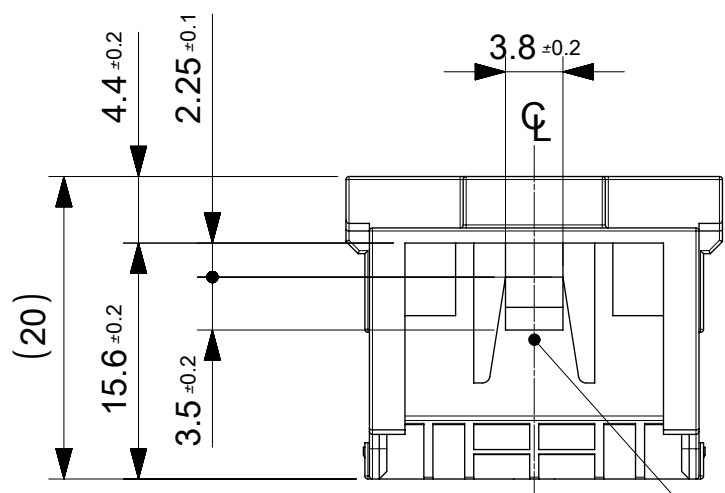
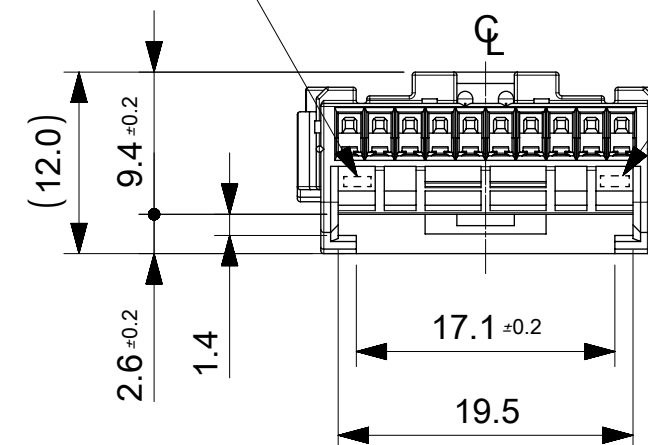


CIRCUIT NO.



SERIES NO. : 201494

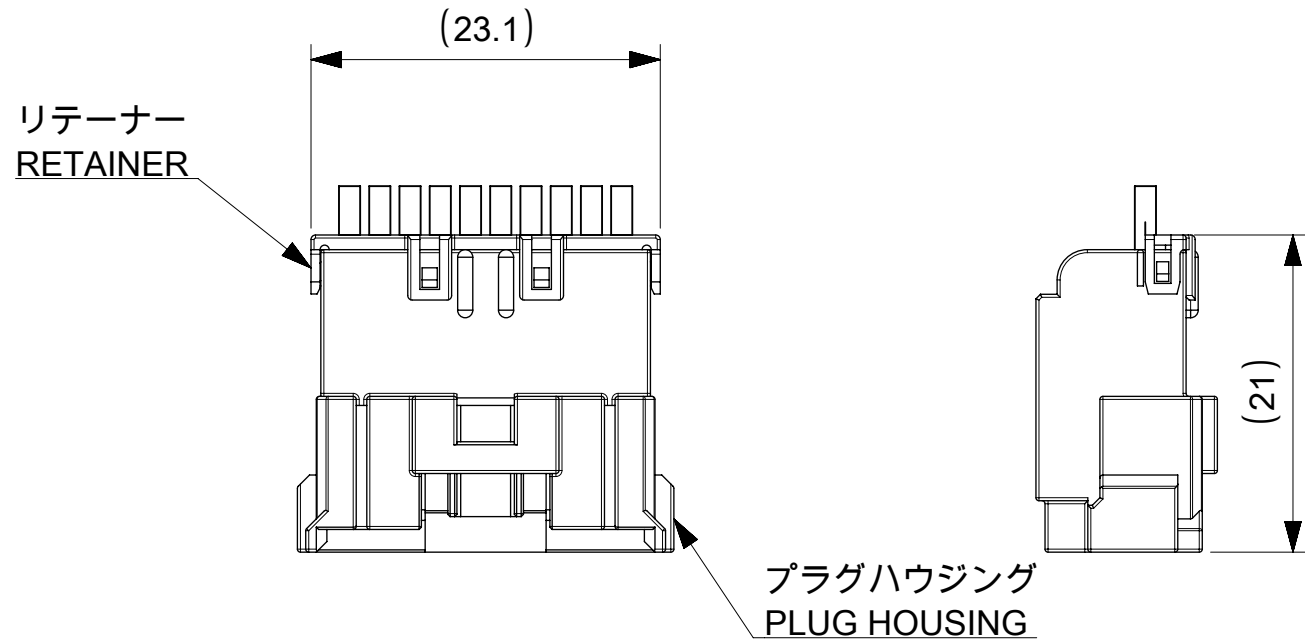
TRADE MARK : MXJ & CAV NO.



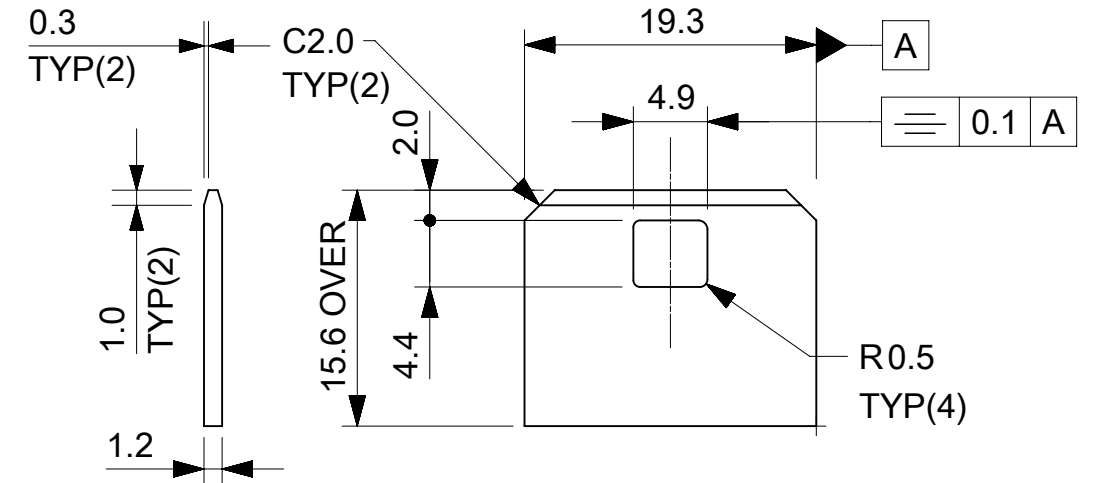
ブラケットロック面  
LOCKING SURFACE ON CONNECTOR

2014942100  
ORDER NO.

SYMBOLS	THIS DRAWING CONTAINS INFORMATION THAT IS PROPRIETARY TO MOLEX ELECTRONIC TECHNOLOGIES, LLC AND SHOULD NOT BE USED WITHOUT WRITTEN PERMISSION		CURRENT REV DESC:		<b>molex</b>
	DIMENSION UNITS	SCALE			
▽ = 0	mm	2:1			PRODUCT CUSTOMER DRAWING
▽ = 0	GENERAL TOLERANCES (UNLESS SPECIFIED)				
▽ = 0	ANGULAR TOL ± 3.0°				DOCUMENT NUMBER
▽ = 0	4 PLACES	± 0.03	EC NO: 618108		
▽ = 0	3 PLACES	± 0.03	DRWN: KNAGAI02 2019/05/29		DOC TYPE
▽ = 0	2 PLACES	± 0.05	CHK'D: SANDO 2019/06/03		
▽ = 0	1 PLACE	± 0.1	APPR: TOSADA 2019/06/03		DOC PART
▽ = 0	0 PLACES	± 0.2	INITIAL REVISION:		
□ = 0	DRAFT WHERE APPLICABLE MUST REMAIN WITHIN DIMENSIONS		DRWN: TNAKATA 2016/04/08		REVISION
▽ = 0	THIRD ANGLE PROJECTION		APPR: YNOGAWA 2016/08/09		
		DRAWING	SERIES	MATERIAL NUMBER	CUSTOMER
		A3-SIZE	201494	2014942100	GENERAL
				SHEET NUMBER	
				1 OF 2	



リテーナー装着図 / RETAINER ASSEMBLY DRAWING



**推奨ブラケット寸法 / RECOMMENDED BRACKET LAYOUT**  
 コネクタのブラケットロック面とブラケットダイ面で  
 ロックする様設定ください。またダイ面にはバリ無き事。  
 DIE SIDE OF BRACKET IS NEEDED TO LOCK  
 WITH LOCKING SURFACE ON CONNECTOR.  
 AND NO BURRS ON DIE SIDE OF BRACKET.

SYMBOLS		THIS DRAWING CONTAINS INFORMATION THAT IS PROPRIETARY TO MOLEX ELECTRONIC TECHNOLOGIES, LLC AND SHOULD NOT BE USED WITHOUT WRITTEN PERMISSION	
DIMENSION UNITS	SCALE	CURRENT REV DESC:	
▽ = 0	mm	2:1	<b>molex</b>
▽ = 0	GENERAL TOLERANCES (UNLESS SPECIFIED)		
▽ = 0	ANGULAR TOL ± 3.0°		2.0MM PITCH WIRE TO WIRE CONNECTOR PLUG HSG LOW-HALOGEN
▽ = 0	4 PLACES	± 0.03	PRODUCT CUSTOMER DRAWING
▽ = 0	3 PLACES	± 0.03	
▽ = 0	2 PLACES	± 0.05	DOCUMENT NUMBER
▽ = 0	1 PLACE	± 0.1	2014942100
▽ = 0	0 PLACES	± 0.2	DOC TYPE
■ = 0	DRAFT WHERE APPLICABLE MUST REMAIN WITHIN DIMENSIONS		PSD
▽ = 0	THIRD ANGLE PROJECTION		DOC PART
	DRAWING		000
	SERIES		A2
	MATERIAL NUMBER		REVISION
	CUSTOMER		
	SHEET NUMBER		
	A3-SIZE	201494	2 OF 2